



6 720 648 089-14,1 TL

Logalux

PR 500/750/1000-80

PR 500/750/1000-120

PNR 500/750/1000-80 E(W)

PNR 500/750/1000-120 E(W)

en Installation and maintenance instructions	2	hu Szerelési és karbantartási utasítás	56
et Paigaldus- ja hooldusjuhend	8	pl Instrukcja montażu i konserwacji	62
lv Montāžas un apkopes instrukcija	14	ro Instrucțiuni de instalare și întreținere	68
it Instaliavimo ir techninės priežiūros instrukcija	20	sr Uputstvo za instalaciju i održavanje	74
ru Инструкция по монтажу и техническому обслуживанию	26	sk Návod na inštaláciu a údržbu	80
bg Ръководство за монтаж и техническо обслужване	32	tr Montaj ve Bakım Kılavuzu	86
cs Návod k instalaci a údržbě	38	uk Інструкція з монтажу і технічного обслуговування	92
el Οδηγίες εγκατάστασης και συντήρησης	44		
hr Upute za instaliranje i odr avanje	50		

6 720 649 880 (2011/03)



Buderus

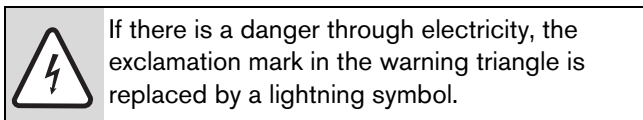
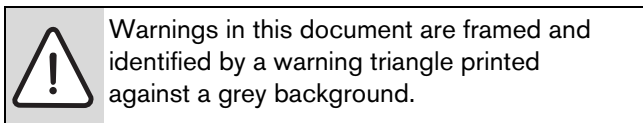
Table of contents

1	Key to symbols and safety instructions	3
1.1	Explanation of symbols	3
1.2	Safety instructions	3
2	Information about the appliance	4
2.1	Product description	4
2.2	Standard delivery	4
2.3	Correct use	4
2.4	Tools, materials and auxiliary equipment	4
2.5	Specification	4
2.5.1	Logalux PR buffer cylinder dimensions and connections	4
2.5.2	Logalux PNR solar buffer cylinder dimensions and connections	4
3	Regulations	5
4	Transport	5
5	Installation	5
5.1	Siting	5
5.1.1	Installation room	5
5.1.2	Installing the buffer cylinder	5
5.2	Hydraulic connection	5
5.3	Installing the temperature sensors	6
5.4	Fitting the thermal insulation	6
5.4.1	Fitting the 80 mm thermal insulation	6
5.4.2	Fitting the 120 mm thermal insulation	6
5.5	Fitting the sensor well (optional)	6
5.6	Electrical connection	6
6	Commissioning	7
7	Shutting down	7
8	Environmental protection/disposal	7
9	Maintenance	7

1 Key to symbols and safety instructions

1.1 Explanation of symbols

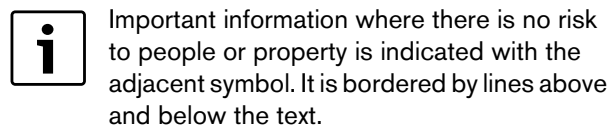
Warnings



Keywords at the start of a warning indicate the type and severity of the ensuing risk if measures to prevent the risk are not taken.

- **NOTE** indicates that material losses may occur.
- **CAUTION** indicates that minor to medium injury may occur.
- **WARNING** indicates possible severe personal injury.
- **DANGER** indicates a risk to life.

Important information



Additional symbols

Symbol	Explanation
▶	Action step
→	Cross-reference to other parts of this document or to other documents
•	List/list entry
–	List/list entry (2nd level)

Table 1

Key to symbols for images from page 99:



Table 2 Key to symbols for the images

1.2 Safety instructions

Siting and conversion

- ▶ **Risk of fire!** Soldering and welding work can lead to fire as the thermal insulation is flammable. Only have the buffer cylinder installed or modified by an approved contractor.

Function

- ▶ In order to ensure trouble-free operation, read these installation and maintenance instructions carefully.
- ▶ **Risk of scalding** When the buffer cylinder is in operation, temperatures over 60 °C can occur.

Maintenance

- ▶ **Customer recommendation:** Arrange a maintenance and inspection contract with an approved contractor.
- ▶ Only use genuine spare parts.

Instructing the customer

- ▶ Instruct the user in how to operate the buffer cylinder and draw their attention to safety-related points.
- ▶ Hand over the installation and maintenance instructions to the user for safekeeping near the heating system.

2 Information about the appliance

2.1 Product description

The buffer cylinder vessel is delivered fully assembled. The thermal insulation and temperature sensors have to be fitted.

There are two types of buffer cylinder (→ Fig. 4, page 101).

- **Buffer cylinder**
 - Logalux PR 500/750/1000-80
 - Logalux PR 500/750/1000-120
- **Solar buffer cylinder**
 - Logalux PNR 500/750/1000-80 E(W)
 - Logalux PNR 500/750/1000-120 E(W)

Both types of cylinder are available with 80 mm PU flexible foam thermal insulation or 120 mm polyester fleece thermal insulation.

The buffer cylinder is made from steel and equipped with a temperature-sensitive return feed.

A back boiler or solid fuel boiler can be integrated via the connections for the boiler and heating circuits.

The Logalux PNR solar buffer cylinder additionally has a connection for a solar thermal system and an electrical immersion heater (→ Fig. 4, page 101).

2.2 Standard delivery

Buffer cylinder, general

- Cylinder
- Technical documentation
- Thermal insulation
- Cylinder cover
- Upper and lower thermal insulation discs
- Flexible clamps for temperature sensors.

Buffer cylinder with 80 mm thermal insulation

- Thermal insulation for immersion heater connection (only PNR 500/750/1000-80 E(W))
- Connection covers

Buffer cylinder with 120 mm thermal insulation

- Thermal insulation for immersion heater connection (only PNR 500/750/1000-120 E(W))
- Connection covers

2.3 Correct use

Due to their large volume, the Logalux PR buffer cylinders and Logalux PNR solar buffer cylinders are designed for central heating backup.

These buffer cylinders may only be filled with heating water and used in sealed heating systems. The cylinders are not suitable for use with potable water.

The buffer cylinders can be used for indirect DHW heating via a freshwater station.

2.4 Tools, materials and auxiliary equipment

A pallet truck, forklift truck or crane is required for transportation.

2.5 Specification

2.5.1 Logalux PR buffer cylinder dimensions and connections

Maximum permissible values Logalux PR500/750/1000		
Maximum operating pressure	bar	3
Maximum operating temperature, heating water	°C	110

Table 3 PR maximum permissible values

Dimensions and surface load		PR 500	PR 750	PR 1000
Height when tilted	mm	1780	1740	1740
Total weight when filled	kg	630	897	1176
Weight load per foot	kg	210	299	392

Table 4 Logalux PR specification

2.5.2 Logalux PNR solar buffer cylinder dimensions and connections

Maximum permissible values Logalux PNR500/750/1000		
Maximum operating pressure, solar indirect coil ¹⁾	bar	8
Maximum operating pressure, heating water	bar	3
Maximum operating temperature, solar indirect coil	°C	160
Maximum operating temperature, heating water	°C	110

Table 5 PNR maximum permissible values

- 1) Subject to the way the appliance is integrated into the solar thermal system, individual protection may be required (safety valve, expansion vessel).

Dimensions and surface load		PNR 500	PNR 750	PNR 1000
Height when tilted	mm	1780	1790	2250
Total weight when filled	kg	655	933	1215
Weight load per foot	kg	219	311	405

Table 6 Logalux PNR specification

Solar indirect coil		PNR 500	PNR 750	PNR 1000
Surface area	m ²	2.0	2.2	2.7
Contents	l	17	18	23

Table 7 Logalux PNR specification

3 Regulations

Equip and install the buffer cylinders in accordance with standards and guidelines as applicable in your country.

Technical rules for the installation of buffer cylinders (selection) in the United Kingdom:

UK and IE

Electrical connection

Current IEE wiring regulations.

Connection of solar thermal heating systems

- EN 12976: Thermal solar systems and components.
- ENV 12977: Thermal solar systems and their components (custom built systems).

Installation and equipment of cylinders

- EN 15316: Heating systems in buildings. Method for calculation of system energy requirements and system efficiencies.
- BS5546:2000 Specification for installation of hot water supplies for domestic purposes, using gas fired appliances of rated input not exceeding 70kW.
- BS6700:1997 Specification for design, installation, testing and maintenance, of servicing supplying water for domestic use within buildings and their curtilages.
- Part G Approved Document G - Hygiene



Different or supplementary regulations (e.g. mains connection requirements) may apply subject to the installation location (e.g. in different countries or regions).

- ▶ Observe all applicable country-specific or regional regulations, guidelines and standards (e.g. those of the power supply utility) when installing and operating the buffer cylinder and immersion heater.

4 Transport



DANGER: Risk to life through falling load!

- ▶ Only use lifting ropes that are in good working condition.
- ▶ Only hook lifting equipment into the lifting points provided.



WARNING: Risk of injury through carrying heavy loads and inadequately securing loads for transport.

- ▶ Use suitable means of transportation, e.g. a sack truck with strap.
- ▶ Secure the buffer cylinder to prevent it falling.

- ▶ Transportation with a sack truck (→ Fig. 5, page 101)
- ▶ Transportation with a crane (→ Fig. 6, page 101)

5 Installation

5.1 Siting

5.1.1 Installation room



NOTE: Risk of material damage from frost and corrosion.

- ▶ Site the buffer cylinder in a dry, frost-free room.
- ▶ Only use the buffer cylinder in sealed systems.
- ▶ Never use in combination open vented expansion header tanks.

5.1.2 Installing the buffer cylinder

→ Fig. 7, page 102 and Fig. 8, page 102.

5.2 Hydraulic connection

For buffer cylinders with 80 mm thermal insulation, the pipework must be installed after the thermal insulation. For buffer cylinders with 120 mm thermal insulation, we recommend installing the pipework before fitting the insulation.



DANGER: Risk of fire through soldering and welding!

- ▶ As far as possible, carry out any soldering and welding work before fitting the thermal insulation.
- ▶ Take appropriate protective measures when soldering and welding as the thermal insulation is flammable (for example cover the thermal insulation).
- ▶ Check thermal insulation after completion for perfect condition.



NOTE: Risk of material damage from leaking connections and exceeding the maximum values.

- ▶ Fit all connection lines free of mechanical strain.
- ▶ In order not to damage the buffer cylinder, maintain the maximum values (→ Table 3, page 4 and Table 5, pageSeite 4).

To prevent subsequent damage to the buffer cylinder:

- ▶ Use installation material that is heat-resistant to 110 °C.
- ▶ For solar connections, use installation materials that are heat-resistant up to 135 °C.
- ▶ Use only threaded fittings, with shut-off valves if required, to connect lines to the cylinder.
- ▶ Install a drain valve on site at the lowest point of the lower connection.

Checking for leaks

→ Fig. 10, page 103.

5.3 Installing the temperature sensors

→ Fig. 9, page 102:

- ▶ Apply heat conducting paste to the contact surfaces.
- ▶ Insert the temperature sensor into the spring clip so that the full length of its contact surface is flush with the cylinder vessel.



Ensure that the full length of the sensor surface is in contact with the cylinder vessel.

- ▶ Mark the temperature sensor leads at the end of each lead.
- ▶ Route the sensor lead carefully to the control unit, ensuring it will be possible to fit the insulation.

5.4 Fitting the thermal insulation



The thermal insulation is best fitted at temperatures around 15 °C. Lightly tapping the thermal insulation towards the two ends makes it easier to bring the ends together.



Logalux PNR

If you are using an immersion heater, the thermal insulation for the immersion heater connection and the cover are not required.

5.4.1 Fitting the 80 mm thermal insulation

→ Fig. 11, page 103.

5.4.2 Fitting the 120 mm thermal insulation



We recommend completing the installation and tightness test before fitting the thermal insulation.

→ Fig. 12, page 103.

5.5 Fitting the sensor well (optional)



Logalux PR

The female connection for fitting a sensor well on site is located on the rear of the buffer cylinder. Here, a sensor well can be fitted to contain the temperature sensor (→ Fig. 9, page 102).

- ▶ To measure and monitor the water temperature in the buffer cylinder, fit the temperature sensor to the test point.
- ▶ Guide the temperature sensor with the spring clip into the sensor well.

5.6 Electrical connection



DANGER: Risk to life through electric shock!

- ▶ Ensure that any electrical work is only carried out by an approved electrician.
- ▶ Before opening the control unit, isolate the heating system from the mains power supply.
- ▶ Secure the heating system against unintentional reconnection.

- ▶ Route the sensor leads to the control unit.
- ▶ Make the electrical connections of the sensor leads – observe the control unit installation instructions.

6 Commissioning



NOTE: Risk of material damage due to incorrectly set pressure on the heating water side.

- ▶ Observe maximum permissible values (→ Table 3, page 4 and Table 5, pageSeite 4).

Commissioning must only be carried out by the heating system installer or an authorised contractor.

- ▶ Check all connections for leaks.
- ▶ Commission the heating system – observe the installation and operating instructions of the control unit, heat source and solar thermal system.

7 Shutting down



DANGER: Risk of scalding through hot water.

- ▶ Allow the buffer cylinder time to cool down sufficiently after being shut down.



NOTE: Cylinder damage through frost. If there is a risk of frost, we recommend leaving the buffer cylinder operational or shutting it down and draining it.

- ▶ Shutting down the heating system – observe the installation and operating instructions of the control unit, heat source and solar thermal system.
- ▶ Open the system drain valve.
- ▶ Open the air vent valve to vent.
- ▶ Fully drain the buffer cylinder and dry the inside.

8 Environmental protection/ disposal

Environmental protection is one of the fundamental company policies of the Bosch Group. Quality of products, efficiency and environmental protection are equally important objectives for us. All legislation pertaining to the environment is strictly observed. To protect the environment we use the best possible technology and materials, subject to economics.

Packaging

We are dedicated in adhering to country-specific disposal standards as they relate to packaging to ensure optimum recycling. All packaging materials are environmentally compatible and can be recycled.

Used appliances

Old appliances contain materials that should be recycled. The relevant assemblies are easy to separate, and all plastics are identified. This allows the various assemblies to be appropriately sorted for recycling or disposal.

9 Maintenance

The buffer vessel has to be maintained in accordance with local standards. In addition the buffer needs to be visually inspected.

- ▶ Check all connections externally for leaks once a year. Contact an authorised contractor or customer service and notify them of the fault as well as the appliance details.

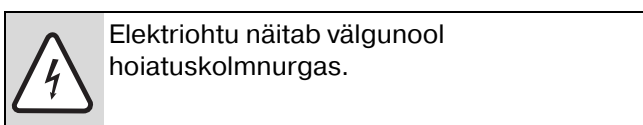
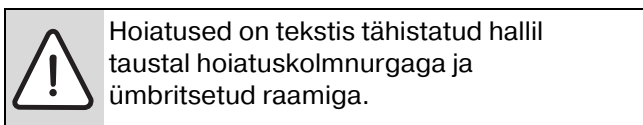
Sisukord

1	Sümbolite selgitus ja ohutustehnika	
	alased juhised	9
1.1	Tähiste seletus	9
1.2	Ohutusjuhised	9
2	Seadme andmed	10
2.1	Seadme kirjeldus	10
2.2	Tarnekomplekt	10
2.3	Ettenähtud kasutamine	10
2.4	Tööriistad, materjalid ja abivahendid	10
2.5	Tehnilised andmed	10
2.5.1	Varumahuti Logalux PR mõõtmed ja ühendused	10
2.5.2	Päikeseküttesüsteemi varumahuti Logalux PNR mõõtmed ja ühendused	10
3	Normdokumendid	11
4	Teisaldamine	11
5	Paigaldamine	11
5.1	Paigaldamine	11
5.1.1	Paigaldusruum	11
5.1.2	Varumahuti paigaldamine	11
5.2	Veetorude ühendamine	11
5.3	Temperatuurianduri paigaldamine	12
5.4	Soojusisolatsiooni paigaldamine	12
5.4.1	80 mm soojusisolatsiooni paigaldamine	12
5.4.2	120 mm soojusisolatsiooni paigaldamine	12
5.5	Anduritasku paigaldamine (valikvarustus)	12
5.6	Ühendamine elektritoitega	12
6	Kasutuselevõtmine	13
7	Pikemaks ajaks seismajätmine	13
8	Loodushoidlik jäätmekäitlus	13
9	Hooldamine	13

1 Sümbolite selgitus ja ohutustehnika alased juhised

1.1 Tähiste seletus

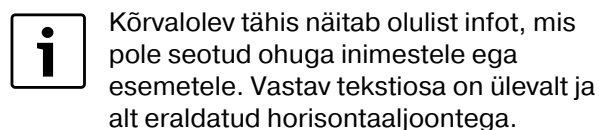
Hoiatused



Hoiatussõnad hoiatuse alguses tähistavad ohutusmeetmete järgimata jätmisel tekkivate ohtude laadi ja raskusastet.

- **TEATIS** tähendab, et võib tekkida varaline kahju.
- **ETTEVAATUST** tähendab inimestele keskmise raskusega vigastuste ohtu.
- **HOIATUS** tähendab inimestele raskete vigastuste ohtu.
- **OHTLIK** tähendab eluohtlike vigastuste võimalust.

Oluline teave



Muud tähised

Tähis	Tähendus
▶	Toimingu samm
→	Viide muudele kohtadele kas selles dokumendis või mujal
•	Loend/loendipunkt
–	Loend/loendipunkt (2. tase)

Tab. 8

Joonistel alates lk. 99 kasutatud tähiste seletus:



Tab. 9 Joonistel kasutatud tähiste seletus

1.2 Ohutusjuhised

Paigaldamine ja muutmine

- ▶ **Tuleoht!** Jootmis- ja keevitustööd võivad põhjustada tulekahju, sest soojusisolatsioonimaterjal on kergesti süttiv.
- ▶ Varumahutit võib lasta paigaldada või muuta ainult kütteseadmetele spetsialiseerunud ettevõttel.

Funktsioneerimine

- ▶ Laitmatu töö tagamiseks tuleb järgida seda paigaldus- ja hooldusjuhendit.
- ▶ **Põletamise oht!** Varumahuti töötamisel võib temperatuur tõusta üle 60 °C.

Hooldamine

- ▶ **Soovitus kliendile:** sõlmida kütteseadmetele spetsialiseerunud ettevõttega hoolduse ja ülevaatuse leping.
- ▶ Kasutada on lubatud ainult originaalvaruosi!

Kliendi juhendamine

- ▶ Kasutajale tuleb selgitada, kuidas varumahutit kasutatakse. Eriti tuleb tema tähelepanu juhtida ohutusega seotud punktidele.
- ▶ Paigaldus- ja hooldusjuhend tuleb kasutajale üle anda, et seda hoitaks küttesüsteemi juures.

2 Seadme andmed

2.1 Seadme kirjeldus

Varupaak tarnitakse kokkumonteerituna. Paigaldada tuleb soojusisolatsioon ja temperatuuriandurid.

Varumahuteid on kahte tüüpi (→ joon. 4, lk. 101).

- **Varumahuti**
 - Logalux PR 500/750/1000-80
 - Logalux PR 500/750/1000-120
- **Päikeseküttesüsteemi varumahuti**
 - Logalux PNR 500/750/1000-80 E(W)
 - Logalux PNR 500/750/1000-120 E(W)

Mõlemat mahuti tüüpi valmistatakse 80 mm pehmest polüuretaanvahust soojusisolatsiooniga või 120 mm polüesterkiudmatist soojusisolatsiooniga.

Varumahuti on valmistatud terasest, tagasivoolu reguleeritakse temperatuuri järgi.

Ühendamine veesärgiga kaminasüdamikuga või tahke kütuse katlaga on võimalik katla ja küttekontuuride ühenduste kaudu.

Peale selle on päikeseküttesüsteemi varumahutil Logalux PNR ühendus päikeseküttesüsteemi ja elektriküttekeha jaoks (→ joon. 4, lk. 101).

2.2 Tarnekomplekt

Varumahuti komplekt

- Boileri mahuti
- Tehnilised dokumendid
- Soojusisolatsioon
- Boileri ülakate
- Ülemine ja alumine soojusisolatsiooniplaat
- Fiksaatorvedruplaadid temperatuuriandurite jaoks.

80 mm soojusisolatsiooniga varumahuti

- Soojusisolatsioon elektriküttekeha ühenduse jaoks (ainult PNR 500/750/1000-80 E(W))
- Kaitsevõrud.

120 mm soojusisolatsiooniga varumahuti

- Soojusisolatsioon elektriküttekeha ühenduse jaoks (ainult PNR 500/750/1000-120 E(W))
- Ühenduste katted.

2.3 Ettenähtud kasutamine

Varumahuti Logalux PR ja päikeseküttesüsteemi varumahuti Logalux PNR on oma suure mahu tõttu ette nähtud kasutamiseks lisakütte varumahutina.

Varumahuteid tohib täita ainult kütteveega ja kasutada ainult kinnistes küttesüsteemides.

Varumahuteid võib läbivoolu-soojusvaheti kaudu kasutada tarbevee soojendamiseks.

2.4 Tööriistad, materjalid ja abivahendid

Teisaldamiseks on otstarbekas kasutada kärutõstukit, kahveltõstukit või kraanat.

Paigaldamiseks läheb vaja tavalisi gaasi- ja veetorustike püstitamisel kasutatavaid tööriistu.

2.5 Tehnilised andmed

2.5.1 Varumahuti Logalux PR mõõtmed ja ühendused

Logalux PR500/750/1000 maksimaalsena lubatud väärtused		
Töörõhk	bar	3
Küttevee temperatuur	°C	110

Tab. 10 PR maksimaalsena lubatud väärtused

Mõõtmed ja raskus		PR 500	PR 750	PR 1000
Teisaldamiseks vajaliku ava kõrgus	mm	1780	1740	1740
Kogukaal täidetuna	kg	630	897	1176
Kaal jala kohta	kg	210	299	392

Tab. 11 Logalux PR tehnilised andmed

2.5.2 Päikeseküttesüsteemi varumahuti Logalux PNR mõõtmed ja ühendused

Logalux PNR500/750/1000 maksimaalsena lubatud väärtused		
Päikeseküttesüsteemi soojusvaheti töö rõhk ¹⁾	bar	8
Küttevee rõhk	bar	3
Päikeseküttesüsteemi soojusvaheti töötemperatuur	°C	160
Küttevee temperatuur	°C	110

Tab. 12 PNR maksimaalsena lubatud väärtused

1) Vajalik kaitsevarustus (kaitseklapp, paisupaak) sõltub sellest, kuidas päikeseküttesüsteemiga ühendatakse.

Mõõtmed ja raskus		PNR 500	PNR 750	PNR 1000
Teisaldamiseks vajaliku ava kõrgus	mm	1780	1790	2250
Kogukaal täidetuna	kg	655	933	1215
Massikoormus jala kohta	kg	219	311	405

Tab. 13 Logalux PNR tehnilised andmed

Päikeseküttesüsteemi soojusvaheti		PNR 500	PNR 750	PNR 1000
Pind	m ²	2,0	2,2	2,7
Maht	l	17	18	23

Tab. 14 Logalux PNR tehnilised andmed

3 Normdokumendid

Varumahuti tuleb paigaldada ja selle komponendid valida vastavalt konkreetsetes riigis kehtivatele standarditele ja direktiividele.

Tehnilised eeskirjad varumahutite (valik) paigaldamise kohta Saksamaal:

Kütte- ja tarbevee soojendussüsteemide paigaldamine ja varustus

- DIN 4753, 1. osa: Boilerid ning joogi- ja tarbevee soojendussüsteemid; nõuded, märgistamine, varustus ja kontrollimine
- DIN 18 380: VOB¹⁾; Küttesüsteemid ja tsentraalsed veesoojendussüsteemid
- DIN 18 381: VOB¹⁾; Gaasi-, vee- ja kanalisatsioonisüsteemide paigaldustööd hoonetes

Ühendamine elektritoitega

- DIN VDE0100: Kuni 1000 V nimipingega tugevoolupaigaldiste paigaldamine
- VDE0190: Elektripaigaldiste peapotentsiaali ühtlustamine
- DIN 18 382 VOB¹⁾: Juhistikusüsteemid hoonetes

1) VOB: Ehitustööde lepingutingimused – Osa C: Ehitustööde üldised tehnilised lepingutingimused (ATV)



Olenevalt paigalduskohast (nt erinevates riikides ja piirkondades) võivad kehtida täiendavad või muud nõuded (nt nõuded elektritoitele).

- ▶ Varumahuti ja elektriküttekeha paigaldamisel ja kasutamisel tuleb täita konkreetsetes riigis ja piirkonnas kehtivaid eeskirju, direktiive ja standardeid (nt elektrivarustuse kohta).

4 Teisaldamine



OHTLIK: Koorma allakukkumine on eluohtlik!

- ▶ Kasutatavad tõstetrossid peavad alati olema laitmatu seisukorras.
- ▶ Konkse võib kinnitada ainult selleks ettenähtud tõsteasadesse.



HOIATUS: Asjatundmatu kinnitamise ja raske koorma korral tekib teisaldamisel vigastuste oht!

- ▶ Kasutada tuleb sobivat teisaldusvahendit, nt kinnitusrühmaga transpordikäru.
- ▶ Varumahuti tuleb mahakukkumise vältimiseks kinnitada.

- ▶ Teisaldamine transpordikäru abil (→ joon.5, lk. 101)
- ▶ Teisaldamine kraanaga (→ joon.6, lk. 101)

5 Paigaldamine

5.1 Paigaldamine

5.1.1 Paigaldusruum



TEATIS: Külma- ja korrosioonikahjustuste oht!

- ▶ Varumahuti tuleb paigaldada ruumi, mis on kuiv ja kus ei ole külmumisohtu.
- ▶ Varumahutit võib kasutada ainult kinnistes süsteemides.
- ▶ Kasutada ei tohi lahtiseid paisupaake.

5.1.2 Varumahuti paigaldamine

→ joon. 7, lk. 102 ja joon. 8, lk. 102.

5.2 Veetorude ühendamine

80 mm soojusisolatsiooniga varumahutite korral tuleb torud ühendada pärast soojusisolatsiooni kohalepaigutamist.

120 mm soojusisolatsiooni korral on soovitatav torud ühendada enne soojusisolatsiooni kohalepanemist.



OHTLIK: Tuleoht jootmis- ja keevitustöödel!

- ▶ Jootmis- ja keevitustööd tuleb, nii palju kui võimalik, ära teha enne soojusisolatsiooni paigaldamist.
- ▶ Jootmis- ja keevitustöödel tuleb rakendada asjakohaseid kaitsemeetmeid, nt katta soojusisolatsioon kinni, sest see on valmistatud põlevast materjalist.
- ▶ Pärast töö lõpetamist tuleb kontrollida, et soojusisolatsiooni ei ole kahjustatud.



TEATIS: Varalise kahju oht lekkivate ühenduste ja maksimaalsena lubatud väärtuste ületamise korral!

- ▶ Ühendustorud tuleb paigaldada nii, et neile ei mõju mehaanilist koormust.
- ▶ Et vältida varumahuti kahjustamist, tuleb järgida maksimaalsena lubatud väärtusi (→ Tab. 10, lk. 10 ja Tab. 12, lk. 10).

Et edaspidi vältida varumahutite kahjustusi:

- ▶ Paigaldamisel tuleb kasutada sellist materjali, mis on kuni 110 °C kuumuskindel.
- ▶ Päikeseküttesüsteemi ühenduste jaoks tuleb kasutada paigaldusmaterjali, mis on kuni 135 °C kuumuskindel.
- ▶ Kõik torud tuleb boileriga ühendada keermesühendustega, vajaduse korral varustada sulgeventiiliga.
- ▶ Alumise ühenduse kõige madalamasse kohta tuleb paigalduskohas paigaldada tühjendusventiil.

Lekete puudumise kontrollimine

→ joon. 10, lk. 103.

5.3 Temperatuurianduri paigaldamine

→ joon. 9, lk. 102:

- ▶ Kokkupuutepinnad tuleb katta termopastaga.
- ▶ Temperatuuriandur tuleb vedruga kinnituse paigutada nii, et anduri kogu kontaktpind jääb väljastpoolt tihedalt vastu boileri mahutit.



Jälgida tuleb seda, et anduri pind puutub kogu pikkuse ulatuses kokku mahuti välispinnaga.

- ▶ Temperatuuranduri juhtmed tuleb otstes vastavalt märgistada.
- ▶ Anduri juhe tuleb kuni juhtseadmeni paigaldada korralikult, nii et oleks võimalik paigaldada isolatsiooni.

5.4 Soojusisolatsiooni paigaldamine



Optimaalne temperatuur soojusisolatsiooni paigaldamiseks on umbes 15 °C. Kerge kinnitusserva suunas koputamine soojusisolatsioonile lihtsustab selle servade ühendamist.



Logalux PNR

Kui kasutatakse elektriküttekeha, ei ole elektriküttekeha ühenduskohale vaja soojusisolatsiooni ega katet.

5.4.1 80 mm soojusisolatsiooni paigaldamine

→ joon. 11, lk. 103.

5.4.2 120 mm soojusisolatsiooni paigaldamine



Paigaldustööd ja lekete puudumise kontrollimine on soovitatav ära teha enne soojusisolatsiooni paigaldamist.

→ joon. 12, lk. 103.

5.5 Anduritasku paigaldamine (valikvarustus)



Logalux PR

Varumahuti tagaküljel on liitmik anduritasku ühendamiseks paigalduskohas. Siia saab kinnitada anduritasku temperatuurianduri jaoks (→ joon. 9, lk. 102).

- ▶ Varumahutis sooja vee temperatuuri mõõtmiseks ja kontrollimiseks tuleb mõõtekohale paigaldada temperatuuriandur.
- ▶ Temperatuuriandur tuleb koos fiksaatorvedruga lükata anduritaskusse.

5.6 Ühendamine elektritoitega



OHTLIK: Eluohtlik elektrilöögi korral!

- ▶ Tagada tuleb, et elektritöid teeb ainult vastavate volitustega erialaspetsialist.
- ▶ Enne küttesüsteemi regulaatori avamist tuleb elektritoide avariilüliti abil ja maja kaitsme kaudu vooluvõrgust lahti ühendada.
- ▶ Küttesüsteemi kogemata sisselülitamise võimalus tuleb tõkesta.

- ▶ Viia anduri juhtmed kuni regulaatorini.
- ▶ Ühendada anduri juhtmed elektritoitega. Seejuures tuleb järgida juhtseadme paigaldusjuhendit.

6 Kasutuselevõtmine



TEATIS: Seadmete kahjustamise oht, kui küttevete osas on rõhk valesti seadistatud!

- ▶ Järgida tuleb maksimaalsena lubatud väärtusi (→ Tab. 10, lk. 10 ja Tab. 12, lk. 10).

Ekspluatatsiooni võtmise peab läbi viima küttesüsteemi paigaldaja või volitatud spetsialist.

- ▶ Kõik ühendused tuleb üle kontrollida, et nende juures ei esine lekke.
- ▶ Rakendada küttesüsteem tööle. Seejuures tuleb järgida juhtseadme, kütteseadme ja päikeseküttesüsteemi paigaldus- ja kasutusjuhendeid.

7 Pikemaks ajaks seismajätmine



OHTLIK: Kuuma veega põletamise oht!

- ▶ Varumahutil tuleb pärast väljalülitamist lasta piisavalt jahtuda.



TEATIS: Boileri kahjustamise oht külmumise korral!

Kui Teie äraolekul võib tekkida külmumisoht, soovitame varumahuti tööle jätta või siis välja lülitada ja tühjendada.

- ▶ Lülitada küttesüsteem välja. Seejuures tuleb järgida juhtseadme, kütteseadme ja päikeseküttesüsteemi paigaldus- ja kasutusjuhendeid.
- ▶ Avada süsteemi tühjendusventiil.
- ▶ Alarõhu vältimiseks tuleb avada õhuetalduskraan.
- ▶ Varumahuti tuleb täielikult tühjendada ja selle sisemus kuivatada.

8 Loodushoidlik jäätmekäitlus

Keskkonna kaitsmine on üks Bosch kontserni tegevuse põhialustest.

Toodete kvaliteet, ökonoomsus ja loodushoid on meie jaoks võrdväärse tähtsusega eesmärgid.

Keskonnakaitse seadusi ja normdokumente täidetakse rangelt. Keskkonna kaitsmist arvestades kasutame me parimaid võimalikke tehnilisi lahendusi ja materjale, pidades samal ajal silmas ka ökonoomsust.

Pakend

Pakendid tuleb saata vastava riigi ümbertöötlussüsteemi, mis tagab nende optimaalse taaskasutamise. Kõik kasutatud pakkematerjalid on keskkonnahoidlikud ja taaskasutatavad.

Vana seade

Vanad seadmed sisaldavad kasutuskõlblikke materjale, mis tuleb suunata ümbertöötlemisele.

Konstruksiooniosi on lihtne eraldada ja plastmaterjalid on märgistatud. Nii saab erinevaid komponente sorteerida ja taaskasutusse või ümbertöötlemisele suunata.

9 Hooldamine

Kui visuaalne kontrollimine välja arvata, ei vaja varumahutid mingite hooldus- või puhastustööde tegemist.

- ▶ Kõik ühendused tuleb kord aastas väljastpoolt üle kontrollida, et nende juures ei esine lekke. Tõrkest tuleb teatada kütteseadmetele spetsialiseerunud ettevõttele või klienditeenindusele ja edastada seadme andmed.


Satura rādītājs


1	Simbolu izskaidrojums un drošības norādījumi	15
1.1	Simbolu skaidrojums	15
1.2	Drošības norādījumi	15
2	Iekārtas dati	16
2.1	Produkta apraksts	16
2.2	Piegādes komplekts	16
2.3	Noteikumiem atbilstošs lietojums	16
2.4	Instrumenti, materiāli un palīgīdzekļi	16
2.5	Tehniskie dati	16
2.5.1	Izmēri un pieslēgvietas - akumulācijas tvertne Logalux PR	16
2.5.2	Izmēri un pieslēgvietas - solārā akumulācijas tvertne Logalux PNR	16
3	Noteikumi	17
4	Transportēšana	17
5	Montāža	17
5.1	Uzstādīšana	17
5.1.1	Uzstādīšanas telpa	17
5.1.2	Akumulācijas tvertnes uzstādīšana	17
5.2	Hidrauliskais pieslēgums	17
5.3	Temperatūras sensora montāža	18
5.4	Siltumizolācijas montāža	18
5.4.1	80 mm siltumizolācijas montāža	18
5.4.2	120 mm siltumizolācijas montāža	18
5.5	Iegremdējamās čaulas montāža (izvēles piederums)	18
5.6	Pieslēgums elektrotīklam	18
6	Iedarbināšana	19
7	Ekspluatācijas izbeigšana	19
8	Apkārtējās vides aizsardzība/utilizācija	19
9	Apkope	19

1 Simbolu izskaidrojums un drošības norādījumi

1.1 Simbolu skaidrojums

Brīdinājuma norādījumi


 Brīdinājuma norādījumi tekstā apzīmēti ar brīdinājuma trīsstūri un ierāmēti.

 Ja pastāv elektrības bīstamība, izsaukuma zīme trīsstūrī aizstāta ar zibens simbolu.

Signālvārdi brīdinājuma sākumā apzīmē seku veidu un nopietnību gadījumā, ja nav veikti pasākumi briesmu novēršanai.

- **IĒVERĪBAI** norāda, ka var rasties materiālie zaudējumi.
- **UZMANĪBU** norāda, ka personas var gūt vieglas vai vidēji smagas traumas.
- **BRĪDINĀJUMS** norāda, ka personas var gūt smagas traumas.
- **BĪSTAMI** norāda, ka personas var gūt dzīvībai bīstamas traumas.

Svarīga informācija

 Svarīga informācija, ja nav cilvēku apdraudējuma vai mantas bojājuma riska, apzīmēta ar blakus esošo simbolu. Tā atdalīta ar līnijām virs un zem teksta.

Citi simboli

Simbols	Nozīme
▶	Darbība
→	Norāde uz citām vietām dokumentā vai citiem dokumentiem
•	Uzskaitījums/saraksta punkts
–	Uzskaitījums/saraksta punkts (2. līmenis)

Tab. 15

Simbolu skaidrojums attēlos, kas sākas 99. lappusē:

 Solārā atgaita	 Solārā turpgaita
 Tvertnes atgaita	 Tvertnes turpgaita

Tab. 16 Simbolu skaidrojums attēlos

1.2 Drošības norādījumi

Uzstādīšana un pārbūve

- ▶ **Ugunsbīstamība!** Siltumizolācija ir izgatavota no degoša materiāla, tāpēc lodēšanas un metināšanas darbi var izraisīt aizdegšanos.
- ▶ Akumulācijas tvertni drīkst uzstādīt vai pārveidot tikai sertificēts specializētais uzņēmums.

Darbība

- ▶ Lai nodrošinātu nevainojamu darbību, ievērojiet šo instalēšanas un apkopes instrukciju.
- ▶ **Applaucēšanās bīstamība!** Akumulācijas tvertnes darbības laikā temperatūra var pārsniegt 60 °C.

Apkope

- ▶ **Ieteikums lietotājam:** noslēgt apkopes un inspekcijas līgumu ar sertificētu specializētu uzņēmumu.
- ▶ Izmantot tikai oriģinālās rezerves daļas!

Lietotāja instruktāža

- ▶ Informējiet lietotāju par akumulācijas tvertnes izmantošanu, īpašu uzmanību pievēršot tehniskās drošības aspektiem.
- ▶ Nododiet lietotāja rīcībā instalēšanas un apkopes instrukciju, lai tā tiktu uzglabāta apkures sistēmas tuvumā.

2 Iekārtas dati

2.1 Produkta apraksts

Akumulācijas tvertne tiek piegādāta pilnā komplektācijā. Jāuzmontē tikai temperatūras sensors un siltumizolācija.

Ir divu dažādu veidu akumulācijas tvertnes (→ 4. att., 101. lpp.).

- **Akumulācijas tvertne**
 - Logalux PR 500/750/1000-80
 - Logalux PR 500/750/1000-120
- **Solārā akumulācijas tvertne**
 - Logalux PNR 500/750/1000-80 E(W)
 - Logalux PNR 500/750/1000-120 E(W)

Abu veidu tvertnēm ir 80 mm bieža poliuretāna putu vai 120 mm bieža poliestera šķiedras siltumizolācija.

Akumulācijas tvertne ir izgatavota no tērauda un aprīkota ar termiski jutīgu atgaitas ieeju.

Izmantojot apkures katla un apkures loku pieslēgvietas, ir iespējams pieslēgt karsto ūdeni no kamīna vai apkures katlu, kas darbojas ar cieto kurināmo.

Solārajai akumulācijas tvertnei Logalux PNR papildus ir vēl viena pieslēgvietā solārās iekārtas un elektriskā sildelementa pieslēgšanai (→ 4. att., 101. lpp.).

2.2 Piegādes komplekts

Akumulācijas tvertne komplektā

- Tvertnes tilpne
- Tehniskā dokumentācija
- Siltumizolācija
- Tvertnes vāks
- Augšējā un apakšējā siltumizolācijas plāksne
- Atsperīgas piespiedējplāksnes temperatūras sensoram.

Akumulācijas tvertne ar 80 mm siltumizolāciju

- Siltumizolācija elektriskā sildelementa pieslēgšanai (tikai PNR 500/750/1000-80 E(W))
- Rozetes.

Akumulācijas tvertne ar 120 mm siltumizolāciju

- Siltumizolācija elektriskā sildelementa pieslēgšanai (tikai PNR 500/750/1000-120 E(W))
- Nosedzošās līstes.

2.3 Noteikumiem atbilstošs lietojums

Akumulācijas tvertne Logalux PR un solārā akumulācijas tvertne Logalux PNR lielā tilpuma dēļ ir izmantojama kā apkures sistēmas papildinājums.

Akumulācijas tvertnes drīkst uzpildīt tikai ar apkures sistēmas ūdeni un lietot tikai slēgtās apkures sistēmās.

Izmantojot sanitārā ūdens sagatavošanas staciju, akumulācijas tvertni var netieši lietot dzeramā ūdens sildīšanai.

2.4 Instrumenti, materiāli un palīgīdzekļi

Transportēšanai noder ratiņi ar paceļamu rāmi, autoiekrāvējs ar dakšveida pacēlāju vai celtnis.

Montāžai ir nepieciešami standarta darbarīki, ko lieto gāzes un ūdens instalācijās.

2.5 Tehniskie dati

2.5.1 Izmēri un pieslēgvietas - akumulācijas tvertne Logalux PR

Pieļaujamās maksimālās vērtības Logalux PR500/750/1000		
Darba spiediens	bar	3
Apkures sist. ūdens darba temperatūra	°C	110

Tab. 17 Pieļaujamās maksimālās vērtības PR

Izmēri un virsmas slodze		PR 500	PR 750	PR 1000
Diagonāles augstums	mm	1780	1740	1740
Kopējais svars (pilna tvertne)	kg	630	897	1176
Svara slodze uz katru kāju	kg	210	299	392

Tab. 18 Tehniskie dati Logalux PR

2.5.2 Izmēri un pieslēgvietas - solārā akumulācijas tvertne Logalux PNR

Pieļaujamās maksimālās vērtības Logalux PNR500/750/1000		
Solārā siltummaiņa darba spiediens ¹⁾	bar	8
Apkures sist. ūdens darba spiediens	bar	3
Solārā siltummaiņa darba temperatūra	°C	160
Apkures sist. ūdens darba temperatūra	°C	110

Tab. 19 Pieļaujamās maksimālās vērtības PNR

1) Atkarībā no solārās iekārtas pievienojuma veida vajadzīgs individuāls drošības līdzeklis (drošības vārsts, izplešanās tvertne).

Izmēri un virsmas slodze		PNR 500	PNR 750	PNR 1000
Diagonālais augstums	mm	1780	1790	2250
Kopējais svars (pilna tvertne)	kg	655	933	1215
Svara slodze uz katru kāju	kg	219	311	405

Tab. 20 Tehniskie dati Logalux PNR

Solārais siltummainis		PNR 500	PNR 750	PNR 1000
Virsmas	m ²	2,0	2,2	2,7
Tilpums	l	17	18	23

Tab. 21 Tehniskie dati Logalux PNR

3 Noteikumi

Akumulācijas tvertne jāinstalē un jāaprīko atbilstoši attiecīgās valsts normatīviem un direktīvām.

Akumulācijas tvertņu (izvēle) uzstādīšanas tehniskie noteikumi Vācijā:

Apkures un dzeramā ūdens sildīšanas iekārtu uzstādīšana un aprīkojums

- DIN 4753, 1. daļa: Dzeramā un tehniskā ūdens sildītāji un ūdens sildīšanas iekārtas; prasības, marķējums, aprīkojums un pārbaude
- DIN 18 380: VOB¹⁾; Apkures sistēmas un centralizētas ūdens sildīšanas iekārtas
- DIN 18 381: VOB¹⁾; Gāzes, ūdens un kanalizācijas instalēšana ēkās.

Pieslēgums elektrotīklam

- DIN VDE0100: Augstsprieguma iekārtu ar nominālo spriegumu līdz 1000 V montāža
- VDE0190: Elektrisko ierīču zemējuma kopnes
- DIN 18 382 VOB¹⁾: Elektrības kabeļu un vadu instalācijas ēkās.

1) VOB: Būvdarbu pasūtījumu un līgumu slēgšanas kārtība – C daļa: Vispārējie tehniskie līgumu noteikumi būvdarbu veikšanai (ATV)



Atkarībā no uzstādīšanas vietas (piem., dažādās valstīs un reģionos) var būt spēkā vēl citas vai atšķirīgas prasības (piem., attiecībā uz pieslēgumu elektrotīklam).

- ▶ Uzstādot un ekspluatējot akumulācijas tvertni un elektrisko sildelementu, jāievēro nacionālās un reģionālās prasības, direktīvas un standarti (piem., elektroapgādes uzņēmuma prasības).

4 Transportēšana



BĪSTAMI: Krītoša krava apdraud dzīvību!

- ▶ Izmantot tikai transportēšanas troses nevainojamā tehniskā stāvoklī.
- ▶ Āķi jāiekabina tikai celšanai paredzētajās cilpās.



BRĪDINĀJUMS: Traumu risks, pārvietojot smagas kravas un transportējot nepareizi nostiprinātu kravu!

- ▶ Izmantojiet piemērotus transportēšanas līdzekļus, piem., divriteņu ratiņus ar nosprigošanas siksnu.
- ▶ Nostipriniet akumulācijas tvertni, lai tā nevarētu nokrist.

- ▶ Transportēšana ar divriteņu ratiņiem (→ 5. att., 101. lpp.).
- ▶ Transportēšana ar celtņiem (→ 6. att., 101. lpp.).

5 Montāža

5.1 Uzstādīšana

5.1.1 Uzstādīšanas telpa



IEVĒRĪBAI: Materiālie bojājumi sala un korozijas iedarbībā!

- ▶ Uzstādiet akumulācijas tvertni sausā un no sala pasargātā telpā.
- ▶ Izmantojiet akumulācijas tvertni tikai slēgtās sistēmās.
- ▶ Nelietojiet nenoslēgtas izplešanās tvertnes.

5.1.2 Akumulācijas tvertnes uzstādīšana

→ 7. att., 102. lpp. un 8. att., 102. lpp.

5.2 Hidrauliskais pieslēgums

Akumulācijas tvertnēm ar 80 mm siltumizolāciju caurules ir jāpievieno pēc siltumizolācijas uzlikšanas. Akumulācijas tvertnēm ar 120 mm siltumizolāciju caurules ieteicams piemontēt pirms izolācijas uzlikšanas.



BĪSTAMI: Ugunsbīstamība lodēšanas un metināšanas darbos!

- ▶ Ja iespējams, visi lodēšanas un metināšanas darbi jāveic pirms siltumizolācijas montāžas.
- ▶ Lodēšanas un metināšanas laikā pielietojiet atbilstošus aizsardzības pasākumus, jo siltumizolācijas materiāls ir degošs (piem. aplājiet siltumizolāciju).
- ▶ Pēc darbu beigšanas pārbaudiet, vai siltumizolācija ir neskarta.



IEVĒRĪBAI: Materiālie bojājumi, ko rada nehermētiski pievienojumi un maksimālo vērtību pārsniegšana!

- ▶ Instalējiet pieslēguma cauruļvadus tā, lai tajos neveidotos mehāniskais spriegums.
- ▶ Lai nesabojātu akumulācijas tvertni, ievērojiet maksimālās vērtības (→ 17. tab., 16. lpp. un 19. tab., 16. lpp.).

Lai nepieļautu akumulācijas tvertnes bojājumus turpmākajā ekspluatācijā:

- ▶ Izmantojiet montāžas materiālus, kas iztur līdz 110 °C augstu temperatūru.
- ▶ Solārajiem pievienojumiem izmantojiet instalācijas materiālus, kas iztur līdz 135 °C augstu temperatūru.
- ▶ Visus pieslēguma cauruļvadus pie tvertnes pieskrūvējiet ar skrūvēm; ja nepieciešams, iemontējiet noslēgvārstu.
- ▶ Apakšējā pievienojuma viszemākajā punktā iemontējiet iztukšošanas krānu.

Hermētiskuma pārbaude

→ 10. att., 103. lpp.

5.3 Temperatūras sensora montāža

→ 9. att., 102. lpp.:

- ▶ Saskares virsmas noziediet ar siltumvadošu pastu.
- ▶ Ievietojiet temperatūras sensoru atspērigajā turētājā tā, lai visa sensora kontaktpusma piegulētu tvertnes ārpusē.



Sekojiet, lai sensora virsma visā garumā saskartos ar tvertnes apvalka virsmu.

- ▶ Temperatūras sensora vadiem kabeļa galā uzlieciet atbilstošus apzīmējumus.
- ▶ Uzmanīgi aizvelciet sensora vadu līdz regulatoram, lai varētu uzmontēt izolāciju.

5.4 Siltumizolācijas montāža



Siltumizolāciju vislabāk montēt apmēram 15 °C temperatūrā. Viegli uzsitieni pa siltumizolāciju savienojamo galu virzienā atvieglo abu galu savietošanu.



Logalux PNR

Ja tiek izmantots elektriskais sildelements, sildelementa pievienojuma vietai siltumizolācija un noseģšana nav vajadzīga.

5.4.1 80 mm siltumizolācijas montāža

→ 11. att., 103. lpp.

5.4.2 120 mm siltumizolācijas montāža



Mēs iesakām veikt instalēšanu un hermētiskuma pārbaudi, pirms tiek piemontēta siltumizolācija.

→ 12. att., 103. lpp.

5.5 Iegremdējamās čaulas montāža (izvēles piederums)



Logalux PR

Akumulācijas tvertnes aizmugurē atrodas uzmava iegremdējamās čaulas noblīvēšanai montāžas procesā. Tajā var iemontēt iegremdējamo čaulu, kurā ievieto temperatūras sensoru (→ 9. att., 102. lpp.).

- ▶ Lai mērītu un kontrolētu karstā ūdens temperatūru, mērīšanas punktā uzmontējiet pie akumulācijas tvertnes temperatūras sensoru.
- ▶ Iegremdējamā patronā ievietojiet temperatūras sensoru ar piespiedējatsperi.

5.6 Pieslēgums elektrotīklam



BĪSTAMI: Elektriskā strāva apdraud dzīvību!

- ▶ Pārliedcinieties, ka elektrisko instalāciju veic sertificēts speciālists.
- ▶ Pirms regulatora atvēršanas atvienojiet apkures iekārtu no strāvas, izslēdzot apkures avārijas slēdzi un ēkas drošinātāju.
- ▶ Nodrošiniet, lai apkures sistēmu nevarētu nejauši ieslēgt.

- ▶ Aizvelciet sensora vadus līdz regulatoram.
- ▶ Pievienojiet sensora vadus – turklāt ievērojiet regulatora instalēšanas instrukciju.

6 Iedarbināšana



IEVĒRĪBAI: Materiālie bojājumi, jo iestatīts nepareizs apkures ūdens spiediens!

- ▶ Ievērojiet pieļaujamās maksimālās vērtības (→ 17. tab., 16. lpp. un 19. tab., 16. lpp).

Ekspluatāciju drīkst uzsākt tikai apkures sistēmas ierīkotājs vai pilnvarots speciālists.

- ▶ Pārbaudiet visu pieslēgumu hermētiskumu.
- ▶ Uzsāciet apkures sistēmas ekspluatāciju – turklāt ievērojiet regulatora, siltuma ražotāju un solārās iekārtas instalēšanas un lietošanas instrukcijas.

7 Ekspluatācijas izbeigšana



BĪSTAMI: Aplaucēšanās risks ar karstu ūdeni!

- ▶ Pēc izslēgšanas ļaujiet akumulācijas tvertnei pietiekami atdzist.



IEVĒRĪBAI: Tvertnes bojājumi sasilstot! Ja jūsu prombūtnes laikā ir iespējama sasalšana, mēs iesakām atstāt akumulācijas tvertni ieslēgtu vai arī izslēgt un iztukšot tvertni.

- ▶ Pārtrauciet apkures sistēmas ekspluatāciju – turklāt ievērojiet regulatora, siltuma ražotāju un solārās iekārtas instalēšanas un lietošanas instrukcijas.
- ▶ Atveriet iekārtas iztukšošanas krānu.
- ▶ Lai varētu iekļūt gaiss, atveriet atgaisošanas ventili.
- ▶ Pilnībā iztukšojiet akumulācijas tvertni un izžāvējiet iekšpusi.

8 Apkārtējās vides aizsardzība/utilizācija

Vides aizsardzība ir Bosch grupas uzņēmējdarbības pamatprincips.

Mūsu iekārtu kvalitāte, ekonomiskums un apkārtējās vides aizsardzība mums ir vienlīdz svarīgi mērķi. Mēs stingri ievērojam apkārtējās vides aizsardzības likumus un noteikumus. Apkārtējās vides aizsardzībai, ievērojot ekonomiskuma aspektu, mēs izmantojam vislabāko tehniku un materiālus.

Iepakojums

Mēs piedalāmies iesaiņojamo materiālu otrreizējās izmantošanas sistēmas izstrādē, lai nodrošinātu to optimālu pārstrādi. Visi izmantotie iepakojuma materiāli ir videi draudzīgi un otrreiz pārstrādājami.

Nolietotās ierīces

Nolietotas iekārtas satur vērtīgas izejvielas, kuras jānodod otrreizējai pārstrādei.

Konstruktīvie mezgli ir viegli atdalāmi un sintētiskie materiāli ir marķēti. Tādējādi visus konstruktīvos mezglus ir iespējams sašķirot pa materiālu grupām un nodot otrreizējai pārstrādei vai utilizācijai.

9 Apkope

Izņemot vizuālās apskates, akumulācijas tvertnēm nav vajadzīga speciāla apkope vai tīrīšana.

- ▶ Reizi gadā ir jāpārbauda visi pieslēgumi, vai nav noplūdes.
Sazinieties ar specializēto uzņēmumu vai klientu servisu un informējiet par traucējuma raksturu, kā arī nosauciet iekārtas datus.

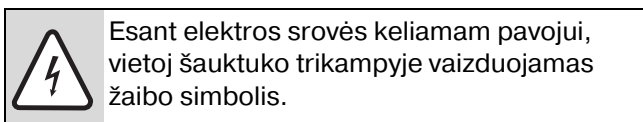
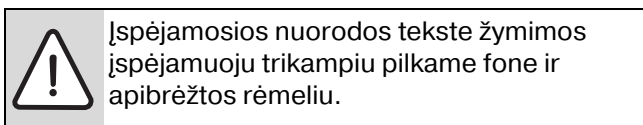
Turinys

1 Simbolių paaiškinimas ir saugos nuorodos	21
1.1 Simbolių paaiškinimas	21
1.2 Saugos nurodymai	21
2 Įrenginio duomenys	22
2.1 Gaminio aprašas	22
2.2 Tiekiamas komplektas	22
2.3 Naudojimas pagal paskirtį	22
2.4 Įrankiai, medžiagos ir pagalbinės priemonės	22
2.5 Techniniai duomenys	22
2.5.1 Buferinės talpos Logalux PR matmenys ir jungtys	22
2.5.2 Saulės kolektoriaus buferinės talpos Logalux PR matmenys ir jungtys	22
3 Teisės aktai	23
4 Transportavimas	23
5 Montavimas	23
5.1 Pastatymas	23
5.1.1 Patalpa, kurioje statomas įrenginys	23
5.1.2 Buferinės talpos pastatymas	23
5.2 Prijungimas prie hidraulinės sistemos	23
5.3 Temperatūros jutiklio montavimas	24
5.4 Šilumos izoliacijos montavimas	24
5.4.1 80 mm šilumos izoliacijos montavimas	24
5.4.2 120 mm šilumos izoliacijos montavimas	24
5.5 Įleistinės tūtelės montavimas (pasirinktinai)	24
5.6 Elektrinių jungčių prijungimas	24
6 Paleidimas eksploatuoti	25
7 Eksploatacijos nutraukimas	25
8 Aplinkosauga ir šalinimas	25
9 Techninė priežiūra	25

1 Simbolių paaiškinimas ir saugos nuorodos

1.1 Simbolių paaiškinimas

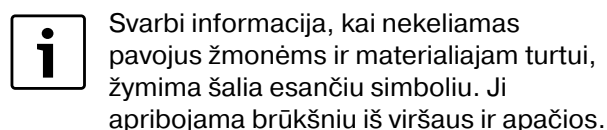
Įspėjamosios nuorodos



Įspėjamieji žodžiai įspėjamosios nuorodos pradžioje nusako pasekmių pobūdį ir sunkumą, jei nebus imamasi apsaugos nuo pavojaus priemonių.

- **PRANEŠIMAS** reiškia, kad galima materialinė žala.
- **PERSPĖJIMAS** reiškia, kad galimi lengvi ar vidutinio sunkumo asmenų sužalojimai.
- **ĮSPĖJIMAS** reiškia, kad galimi sunkūs asmenų sužalojimai.
- **PAVOJUS** reiškia, kad galimi pavojų gyvybei keliantys asmenų sužalojimai

Svarbi informacija



Kiti simboliai

Simbolis	Reikšmė
▶	Veiksmas
→	Kryžminė nuoroda į kitą dokumento vietą ar kitą dokumentą
•	Išvardijimas, sąrašo įrašas
–	Išvardijimas, sąrašo įrašas (2-as lygmuo)

Lent. 22

Paveikslėliuose naudojamų simbolių paaiškinimas nuo 99 psl.:



Saulės kolektoriaus grįžtantis srautas



Saulės kolektoriaus tiekiamas srautas



Talpos grįžtantis srautas



Talpos tiekiamas srautas

Lent. 23 Paveikslėliuose naudojamų simbolių paaiškinimas

1.2 Saugos nurodymai

Įrengimas ir permontavimas

- ▶ **Gaisro pavojus!** Atliekant litavimo ir suvirinimo darbus gali kilti gaisras, nes šilumos izoliacija yra degi.
- ▶ Buferinę talpą įrengti ar permontuoti kito tipo dujoms leidžiama tik įgaliotai specializuotai įmonei.

Funkcija

- ▶ Kad būtų užtikrinamas nepriekaištingas įrangos veikimas, laikykitės šios montavimo ir techninės priežiūros instrukcijos.
- ▶ **Pavojus nusiplikyti!** Veikiant buferinei talpai, temperatūra gali pakilti aukščiau 60 °C.

Techninė priežiūra

- ▶ **Rekomendacija klientui:** su įgaliota specializuota įmone sudarykite techninės priežiūros ir patikros sutartį.
- ▶ Naudokite tik originalias atsargines dalis!

Kliento instruktavimas

- ▶ Informuokite klientą, kaip naudoti buferinę talpą, ypač pabrėžkite su saugos technika susijusius dalykus.
- ▶ Montavimo ir techninės priežiūros instrukciją su kitais šildymo sistemos dokumentais perduokite naudotojui.

2 Įrenginio duomenys

2.1 Gaminio aprašas

Buferinė talpa iš gamyklos tiekama visiškai sumontuota. Uždėti šilumos izoliaciją ir sumontuoti temperatūros jutiklį.

Buferinės talpos yra dviejų skirtingų tipų (→ 4 pav., 101 psl.).

- **Buferinė talpa**
 - Logalux PR 500/750/1000-80
 - Logalux PR 500/750/1000-120
- **Saulės kolektoriaus buferinė talpa**
 - Logalux PNR 500/750/1000-80 E(W)
 - Logalux PNR 500/750/1000-120 E(W)

Abiejų tipų talpos yra su 80 mm PU minkštų putų šilumos izoliacija arba 120 mm poliesterio pluošto neaustinės medžiagos šilumos izoliacija.

Buferinė talpa yra pagaminta iš plieno, jis yra su temperatūrai jautriais grįžtančio srauto įvadais.

Židininės krosnelės, kuriomis teka vanduo, arba kietuoju kuru kūrenamą katilą prijungti galima naudojantis šildymo katilo ar šildymo kontūro jungtimis.

Saulės kolektoriaus buferinė talpa „Logalux PNR“ turi papildomą jungtį, skirtą saulės kolektorių sistemai ir elektriniam šildymo elementui (→ 4 pav., 101 psl.).

2.2 Tiekiamas komplektas

Buferinė talpa

- Akumuliacinė talpa
- Techninė dokumentacija
- Šilumos izoliacija
- Talpos gaubtas
- Viršutinis ir apatinis šilumos izoliacijos diskas
- Spyruoklinės skardos segtukai temperatūros jutikliui

Buferinė talpa su 80 mm šilumos izoliacija

- Šilumos izoliacija, skirta elektriniam šildymo elementui prijungti (tik PNR 500/750/1000-80 E(W))
- Kištukiniai lizdai

Buferinė talpa su 120 mm šilumos izoliacija

- Šilumos izoliacija, skirta elektriniam šildymo elementui prijungti (tik PNR 500/750/1000-120 E(W))
- Diafragmos

2.3 Naudojimas pagal paskirtį

Buferinė talpa Logalux PR ir saulės kolektoriaus buferinė talpa Logalux PNR dėl didelės talpos yra skirtos naudoti kaip buferinės talpos šildymo paramai.

Buferines talpas leidžiama pripildyti tik šildymo sistemos vandeniu, o jas eksploatuoti – tik uždaroje šildymo sistemoje.

Buferines talpas netiesiogiai per šviežio vandens stotelę galima naudoti geriamajam vandeniui šildyti.

2.4 Įrankiai, medžiagos ir pagalbinės priemonės

Transportavimui patariama naudoti keliamuosius vežimėlius, šakinius krautuvus arba kraną.

Įrangai montuoti reikės standartinių dujotiekio bei vandentiekio įrengimo darbams naudojamų įrankių.

2.5 Techniniai duomenys

2.5.1 Buferinės talpos Logalux PR matmenys ir jungtys

Leidžiamosios maksimalios vertės Logalux PR500/750/1000		
Darbinis slėgis	bar	3
Šildymo sistemos vandens darbinė temperatūra	°C	110

Lent. 24 Leidžiamosios maksimalios vertės PR

Matmenys ir paviršiaus apkrova		PR 500	PR 750	PR 1000
Paverstos įrangos matmenys	mm	1 780	1 740	1 740
Bendra pripildytos įrangos masė	kg	630	897	1 176
Kojai tenkanti apkrova	kg	210	299	392

Lent. 25 Techniniai duomenys Logalux PR

2.5.2 Saulės kolektoriaus buferinės talpos Logalux PR matmenys ir jungtys

Leidžiamosios maksimalios vertės Logalux PNR500/750/1000		
Saulės kolektoriaus šilumokaičio darbinis ¹⁾	bar	8
Šildymo sistemos darbinis slėgis	bar	3
Saulės kolektoriaus šilumokaičio darbinė temperatūra	°C	160
Šildymo sistemos vandens darbinė temperatūra	°C	110

Lent. 26 Leidžiamosios maksimalios vertės PNR

1) slėgis Priklausomai nuo to, kaip prijungta prie saulės kolektorių sistemos, reikia atskiros apsaugos (apsauginio vožtuvo, išsiplėtimo indo).

Matmenys ir paviršiaus apkrova		PNR 500	PNR 750	PNR 1000
Paverstos įrangos matmenys	mm	1 780	1 790	2 250
Bendra pripildytos įrangos masė	kg	655	933	1 215
Kojai tenkanti apkrova	kg	219	311	405

Lent. 27 Techniniai duomenys Logalux PNR

Saulės kolektoriaus šilumokaitis		PNR 500	PNR 750	PNR 1000
Paviršiaus plotas	m ²	2,0	2,2	2,7
Talpa	l	17	18	23

Lent. 28 Techniniai duomenys Logalux PNR

3 Teisės aktai

Buferinę talpą sumontuokite ir įrenkite laikydamiesi atitinkamų eksploatavimo šalyje galiojančių standartų ir taisyklių.

Techninės buferinių talpų (pasirinktinai) įrengimo taisyklės Vokietijoje:

Patalpų ir geriamojo vandens šildymo sistemų ir jų įrengimas

- DIN 4753, 1-oji dalis: vandens šildytuvai ir vandens šildymo įrenginiai geriamajam ir pramoniniam vandeniui; reikalavimai, žymėjimas, įranga ir tikrinimas.
- DIN 18 380: SDRT¹⁾; šildymo sistemos ir centrinės vandens šildymo sistemos.
- DIN 18 381: SDRT¹⁾; dujų ir vandens įrenginių bei kanalizacijos įrengimas pastatų viduje.

Elektrinių jungčių prijungimas

- DIN VDE0100: Stiprios srovės sistemų, kurių vardinė įtampa siekia iki 1 000 V, įrengimas.
- VDE0190: Elektrinių įrenginių pagrindinių potencialų sulyginimas.
- DIN 18 382 VOB¹⁾: Elektros kabelių ir laidų sistemos pastatuose.

1) SDRT: statybos darbų rangos taisyklės – C dalis: bendrosios statybos darbų sutarčių sąlygos (BTS)



Priklausomai nuo pastatymo vietos (pvz., įvairiose šalyse ir regionuose) gali būti privalomi papildomi ar kiti reikalavimai (pvz., prijungimo prie tinklo reikalavimai).

- ▶ Instaliuojant ir eksploatuojant buferinę talpą ir elektrinį šildymo elementą būtina laikytis įrangos eksploatavimo šalyje ir regione galiojančių taisyklių, direktyvų ir normų (pvz., elektros tiekėjų).

4 Transportavimas



PAVOJUS: Krentantis krovinys kelia pavojų gyvybei!

- ▶ Naudokite tik nepriekaištingos būklės transportavimo lynus.
- ▶ Kablius įstatykite į specialias kranų ašas.



ĮSPĖJIMAS: Keliant sunkius ar netinkamai pritvirtintus krovinis, išskyla sužalojimo pavojus!

- ▶ Naudokite tinkamas transporto priemones, pvz., vežimėlių maišams su tvirtinamaisiais diržais.
- ▶ Buferinę talpą pritvirtinkite, kad nenukristų.

- ▶ Transportavimas vežimėliu (→ 5 pav., 101 psl.)
- ▶ Transportavimas kranu (→ 6 pav., 101 psl.)

5 Montavimas

5.1 Pastatymas

5.1.1 Patalpa, kurioje statomas įrenginys



PRANEŠIMAS: Gedimai dėl užšalimo ir korozijos!

- ▶ Buferinę talpą pastatykite nuo šalčio apsaugotoje ir sausoje patalpoje.
- ▶ Buferinę talpą naudokite tik uždaroje sistemoje.
- ▶ Nenaudokite atvirų išsiplėtimo indų.

5.1.2 Buferinės talpos pastatymas

→ 7 pav., 102 psl. ir 8 pav., 102 psl.

5.2 Prijungimas prie hidraulinės sistemos

Naudojant buferines talpas su 80 mm šilumos izoliacija, vamzdynus sujungti reikia po to, kai primontuojama šilumos izoliacija. Naudojant buferines talpas su 120 mm šilumos

izoliacija, vamzdynus rekomenduojame montuoti prieš uždėdant šilumos izoliaciją.



PAVOJUS: Atliekant litavimo ir suvirinimo darbus išskyla gaisro pavojus!

- ▶ Jei galima, litavimo ir suvirinimo darbus atlikite prieš šilumos izoliacijos montavimą.
- ▶ Atliekant litavimo ir suvirinimo darbus būtina imtis specialių apsaugos priemonių (pvz., apdengti šilumos izoliaciją), nes šilumos izoliacija yra degi.
- ▶ Baigus darbą reikia patikrinti, ar šilumos izoliacija nepažeista.



PRANEŠIMAS: Esant nesandarioms jungtims ir viršijus maksimalias vertes, galima patirti materialinės žalos!

- ▶ Jungiamąsias linijas sumontuokite be įtempimų.
- ▶ Kad nepažeistumėte buferinės talpos, neviršykite maksimalių verčių (→ 24 lent., 22 psl. ir 26 lent., 22 psl.).

Kad vėliau išvengtumėte buferinės talpos pažeidimų:

- ▶ Naudokite iki 110 °C karščiui atsparias instaliavimo medžiagas.
- ▶ Saulės kolektorių sistemos jungtims naudokite iki 135 °C karščiui atsparias instaliavimo medžiagas.
- ▶ Visas jungiamąsias linijas srieginėmis jungtimis prisukite prie talpos, jei reikia – su uždaromuoju vožtuvu.
- ▶ Apatinės jungties žemiausiame taške užsakovas turi primontuoti išleidimo čiaupą.

Sandarumo tikrinimas

→ 10 pav., 103 psl.

5.3 Temperatūros jutiklio montavimas

→ 9 pav., 102 psl.

- ▶ Kontaktinį paviršių patepkite šilumai laidžia pasta.
- ▶ Įdėkite temperatūros jutiklį į spyruoklinį laikiklį taip, kad visas temperatūros jutiklio kontaktinis paviršius išorėje būtų gerai prigludęs prie talpos.



Atkreipkite dėmesį į tai, kad jutiklio paviršius per visą ilgį turi kontaktuoti su talpos apdangalo paviršiumi.

- ▶ Temperatūros jutiklio laidus kabelio gale atitinkamai pažymėkite.
- ▶ Jutiklio laidą rūpestingai nutieskite link reguliavimo prietaiso, kad būtų galima montuoti izoliaciją.

5.4 Šilumos izoliacijos montavimas



Šilumos izoliaciją optimalu montuoti apie 15 °C temperatūroje. Švelnus stuksenimas šilumos izoliacijos uždarymo galų kryptimi palengvina abiejų galų sujungimą.



Logalux PNR

Jei naudojate elektrinį šildymo elementą, šilumos izoliacijos elektriniam šildymo elementui prijungti ir gaubto nereikės.

5.4.1 80 mm šilumos izoliacijos montavimas

→ 11 pav., 103 psl.

5.4.2 120 mm šilumos izoliacijos montavimas



Šilumos izoliaciją rekomenduojame primontuoti tik baigus instaliuoti ir atlikus sandarumo patikrą.

→ 12 pav., 103 psl.

5.5 Įleistinės tūtelės montavimas (pasirinktinai)



Logalux PR

Buferinės talpos užpakalinėje pusėje yra mova, skirta įleistinei tūtelei eksploatacijoje vietoje užsandarinti.

Čia galima įmontuoti įleistinę tūtelę temperatūros jutikliui (→ 9 pav., 102 psl.).

- ▶ Karšto vandens temperatūrai ties buferine talpa matuoti ir kontroliuoti matavimo vietoje įmontuokite temperatūros jutiklį.
- ▶ Temperatūros jutiklį su prispaudžiamąja spyruokle įstumkite į įleistinę tūtelę.

5.6 Elektrinių jungčių prijungimas



PAVOJUS: pavojus gyvybei dėl elektros srovės!

- ▶ Užtikrinkite, kad elektros jungčių prijungimo darbus atliktų tik elektrikas.
- ▶ Prieš atidarydami reguliavimo prietaisą:
- ▶ šildymo sistemos avariniu jungikliu nutraukite elektros tiekimą į šildymo įrenginį arba atjunkite tam tikrą namo elektros skydinės saugiklį.
- ▶ Pasirūpinkite, kad šildymo sistemos niekas netyčia neįjungtų.

- ▶ Jutiklių laidus nuveskite link reguliavimo prietaiso.
- ▶ Sujunkite jutiklio laidų jungtis – tai atlikdami laikykitės reguliavimo prietaiso montavimo instrukcijos.

6 Paleidimas eksploatuoti



PRANEŠIMAS: Materialinė žala dėl netinkamai nustatyto slėgio karšto vandens pusėje.

- ▶ Neviršykite maksimalių leidžiamųjų verčių (→ 24 lent., 22 psl. ir 26 lent., 22 psl.).

Pradinę eksploataciją leidžiama atlikti tik šildymo sistemos gamintojui arba įgaliotam specialistui.

- ▶ Patikrinkite visų jungčių sandarumą.
- ▶ Paleiskite eksploatuoti šildymo sistemą – laikykitės reguliavimo prietaiso, šilumos generatoriaus ir saulės kolektorių sistemos montavimo ir eksploatavimo instrukcijų.

7 Eksploatacijos nutraukimas



PAVOJUS: karštas vanduo kelia nusiplikymo pavojų!

- ▶ Nutraukę eksploataciją palaukite, kol buferinė talpa pakankamai atvės.



PRANEŠIMAS: karšto vandens šildytuvo gedimas dėl užšalimo!

Jei jums išvykus (pvz., atostogauti) gali iškilti užšalimo pavojus, buferinę talpą rekomenduojame palikti veikiančią arba ją išjungti ir ištuštinti.

- ▶ Nutraukite šildymo sistemos eksploataciją – laikykitės reguliavimo prietaiso, šilumos generatoriaus ir saulės kolektorių sistemos montavimo ir eksploatavimo instrukcijų.
- ▶ Atsidarykite įrenginio išleidimo vožtuvą.
- ▶ Norėdami pripildyti, atidarykite oro išleidimo įtaisą.
- ▶ Buferinę talpą visiškai ištuštinkite ir gerai išdžiovinkite vidų.

8 Aplinkosauga ir šalinimas

Aplinkosauga yra „Bosch“ grupės veiklos prioritetas. Mums vienodai svarbu gaminių kokybė, ekonomiškumas ir aplinkosauga. Todėl griežtai laikomės su aplinkosauga susijusių įstatymų bei teisės aktų. Siekdami apsaugoti aplinką ir atsižvelgdami į ekonomiškumo kriterijus, gamybai taikome geriausią techniką bei medžiagas.

Pakuotė

Mes dalyvaujame šalyse vykdomose pakuočių utilizavimo programose, užtikrinančiose optimalų perdirbimą. Visos pakuotės medžiagos nekenksmingos aplinkai ir skirtos perdirbti.

Nebetinkami naudoti įrenginiai

Nebetinkamuose naudoti įrenginiuose yra medžiagų, kurias galima perdirbti.

Konstruciniai elementai nesunkiai išardomi, o plastikinės dalys yra specialiai pažymėtos. Todėl įvairius konstrukcinius elementus galima surūšiuoti ir utilizuoti arba atiduoti perdirbti.

9 Techninė priežiūra

Buferinėms talpos, išskyrus apžiūras, jokių specialių techninės priežiūros ir valymo darbų nereikia.

- ▶ Kasmet reikia patikrinti visų jungčių sandarumą, ar nėra nuotėkių. Kreipkitės į įgaliotą šildymo sistemų įmonę arba į klientų aptarnavimo padalinį, praneškite apie triktį ir nurodykite įrenginio duomenis.


Оглавление


1	Пояснения символов и указания по технике безопасности	27
1.1	Пояснения условных обозначений . . .	27
1.2	Указания по технике безопасности . .	27
2	Информация об оборудовании	28
2.1	Описание оборудования	28
2.2	Комплект поставки	28
2.3	Применение по назначению	28
2.4	Инструменты, материалы и вспомогательные средства	28
2.5	Технические характеристики	28
2.5.1	Размеры и подключения бака-накопителя Logalux PR	28
2.5.2	Размеры и подключения бака-накопителя Logalux PR с нагревом от солнечного коллектора	28
3	Инструкции	29
4	Транспортировка	29
5	Монтаж	29
5.1.1	Помещение для установки оборудования	29
5.1.2	Установка бака-накопителя	29
5.2	Гидравлические подключения	30
5.3	Установка датчика температуры	30
5.4	Монтаж теплоизоляции	30
5.4.1	Монтаж теплоизоляции толщиной 80 мм	30
5.4.2	Монтаж теплоизоляции толщиной 120 мм	30
5.5	Монтаж погружной гильзы для датчиков (опция)	30
5.6	Электрическое подключение	31
6	Пуск в эксплуатацию	31
7	Прекращение эксплуатации	31
8	Охрана окружающей среды/утилизация .	31
9	Техническое обслуживание	31

1 Пояснения символов и указания по технике безопасности

1.1 Пояснения условных обозначений

Предупреждения


 Предупреждения обозначены в тексте восклицательным знаком в треугольнике на сером фоне.

 При опасности удара электрическим током вместо восклицательного знака в треугольнике стоит молния.

Выделенные слова в начале предупреждения обозначают вид и степень тяжести последствий, наступающих в случае непринятия мер безопасности.

- **УВЕДОМЛЕНИЕ** означает, что возможно повреждение оборудования.
- **ВНИМАНИЕ** означает, что возможны травмы лёгкой и средней тяжести.
- **ОСТОРОЖНО** означает возможность получения тяжёлых травм.
- **ОПАСНО** означает, что возможны травмы, опасные для жизни.

Важная информация

 Важная информация без каких-либо опасностей для человека и оборудования обозначается приведенным здесь знаком. Она выделяется горизонтальными линиями над текстом и под ним.

Другие знаки

Знак	Описание
▶	Действие
→	Ссылка на другое место в инструкции или на другую документацию
•	Перечисление/список
–	Перечисление/список (2-ой уровень)

Таб. 29

Пояснение условных обозначений на рисунках со стр. 99:

	Обратная линия солнечного коллектора		Подающая линия солнечного коллектора
	Обратная линия бака		Подающая линия бака

Таб. 30 Пояснение условных обозначений на рисунках

1.2 Указания по технике безопасности

Установка и переделка

- ▶ **Опасность пожара!** Пайка и сварка могут привести к пожару, так как теплоизоляция является горючим материалом.
- ▶ Монтаж и переналадку бака должны выполнять только сотрудники специализированного предприятия, имеющего разрешение на выполнение таких работ.

Эксплуатация

- ▶ Для обеспечения исправной работы оборудования выполняйте требования этой инструкции по монтажу и техническому обслуживанию.
- ▶ **Возможно ошпаривание горячей водой!** При эксплуатации бака-накопителя температура воды может подниматься выше 60 °С.

Техническое обслуживание

- ▶ **Рекомендация для потребителя:** заключите договор о проведении технического обслуживания и контрольных осмотров с уполномоченным специализированным предприятием.
- ▶ Используйте только оригинальные запчасти!

Вводный инструктаж потребителя

- ▶ Проинформируйте потребителя об использовании бака-накопителя и особенно обратите его внимание на правила техники безопасности.
- ▶ Передайте потребителю инструкцию по монтажу и техническому обслуживанию, которая должна храниться возле отопительной установки.

2 Информация об оборудовании

2.1 Описание оборудования

Бак-накопитель поставляется собранным. Требуется смонтировать теплоизоляцию и установить датчики температуры.

Имеются два вида баков-накопителей (→ рис. 4, стр. 101).

- **Бак-накопитель**
 - Logalux PR 500/750/1000-80
 - Logalux PR 500/750/1000-120
- **Бак-накопитель с нагревом от солнечного коллектора**
 - Logalux PNR 500/750/1000-80 E(W)
 - Logalux PNR 500/750/1000-120 E(W)

Оба типа баков имеют теплоизоляцию толщиной 80 мм из полиуретанового мягкого пенопласта или толщиной 120 мм из полиэстрового нетканого полотна.

Бак изготовлен из стали.

Соединение с камином с водяной рубашкой или с твердотопливным котлом возможно через подключения для котла и отопительных контуров.

Бак Logalux PNR дополнительно имеет подключение к солнечному коллектору и электрического нагревательного элемента (→ рис. 4, стр. 101).

2.2 Комплект поставки

Общая комплектация баков-накопителей

- Резервуар бака
- Техническая документация
- Теплоизоляция
- Крышка бака
- Верхний и нижний теплоизоляционный круг
- Зажимы для датчиков температуры

Бак-накопитель с теплоизоляцией 80 мм

- Теплоизоляция для подключения электронагревательного элемента (только PNR 500/750/1000-80 E(W))
- Розетки

Бак-накопитель с теплоизоляцией 120 мм

- Теплоизоляция для подключения электронагревательного элемента (только PNR 500/750/1000-120 E(W))
- Заглушки

2.3 Применение по назначению

Баки Logalux PR и баки Logalux PNR с нагревом от солнечного коллектора благодаря своему большому объёму применяются как баки-накопители для поддержки отопления.

Баки-накопители в таком случае должны заполняться только водой отопительной системы и могут работать только в закрытых отопительных установках.

Баки-накопители могут использоваться через водопроводную станцию для непрямого нагрева водопроводной воды.

2.4 Инструменты, материалы и вспомогательные средства

Для транспортировки бака можно использовать грузоподъёмную тележку, вилочный погрузчик или кран.

Для монтажа требуется стандартный набор инструментов для работ с газовым и водопроводным оборудованием.

2.5 Технические характеристики

2.5.1 Размеры и подключения бака-накопителя Logalux PR

Допустимые максимальные значения Logalux PR500/750/1000		
Рабочее давление	бар	3
Рабочая температура воды отопительного контура	°C	110

Таб. 31 Допустимые максимальные значения PR

Размеры и нагрузка на пол		PR 500	PR 750	PR 1000
Высота при опрокидывании	мм	1780	1740	1740
Общий вес с водой	кг	630	897	1176
Нагрузка на каждую опору бака	кг	210	299	392

Таб. 32 Технические характеристики Logalux PR

2.5.2 Размеры и подключения бака-накопителя Logalux PR с нагревом от солнечного коллектора

Допустимые максимальные значения Logalux PNR500/750/1000		
Рабочее давление в змеевике нагрева от солнечного коллектора ¹⁾	бар	8
Рабочее давление воды отопительного контура	бар	3
Рабочая температура змеевика нагрева от солнечного коллектора	°C	160
Рабочая температура воды отопительного контура	°C	110

Таб. 33 Допустимые максимальные значения PNR

1) В зависимости от схемы подключения к контуру солнечного коллектора требуются различные устройства безопасности (предохранительный клапан, расширительный бак).

Размеры и нагрузка на пол		PNR 500	PNR 750	PNR 1000
Высота при опрокидывании	мм	1780	1790	2250
Общий вес с водой	кг	655	933	1215
Нагрузка на каждую опору бака	кг	219	311	405

Таб. 34 Технические характеристики Logalux PNR

Змеевик нагрева от солнечного коллектора		PNR 500	PNR 750	PNR 1000
Поверхность	м ²	2,0	2,2	2,7
Объём	л	17	18	23

Таб. 35 Технические характеристики Logalux PNR

3 Инструкции

Монтаж и подключение баков-накопителей должны проводиться в соответствии с нормами и правилами, действующими в той стране, где эксплуатируется оборудование.

Технические нормы по установке баков в Германии (выдержки):

Монтаж и оборудование отопительных и водонагревательных установок

- DIN 4753, часть 1: Водонагреватели и установки по приготовлению горячей воды для питьевых и хозяйственных нужд; требования, обозначение, оснащение и контроль
- DIN 18 380: VOB¹⁾; Отопительные установки и централизованные системы горячего водоснабжения
- DIN 18 381: VOB¹⁾; Монтажные работы с газовым, водопроводным и канализационным оборудованием внутри зданий.

Электрическое подключение

- DIN VDE0100: Сооружение силовых электроустановок с номинальным напряжением до 1000 В
- VDE0190: Выравнивание главных потенциалов электрических установок
- DIN 18 382 VOB¹⁾: Электрические кабели и электропроводка в зданиях

1) VOB: Порядок подряда строительных работ – часть С: Общие технические договорные условия строительных работ (ATV)



В зависимости от места эксплуатации (например, в различных странах и регионах) могут действовать дополнительные или другие требования (например, требования к подключению к сети).

- ▶ При монтаже и эксплуатации бака-накопителя и электронагревательного элемента обязательно выполняйте требования государственных и региональных инструкций, норм и правил (например, энергоснабжающей организации).

4 Транспортировка



ОПАСНО: Угроза для жизни из-за падения груза!

- ▶ Для транспортировки применяйте тросы, находящиеся в полностью исправном состоянии.
- ▶ Вставляйте крюки только в предусмотренные для них проушины.



ОСТОРОЖНО: Опасность получения травм при транспортировке тяжёлых грузов и из-за неправильного крепления при транспортировке.

- ▶ Применяйте подходящие транспортные средства, например, тележку со стяжными ремнями.
- ▶ Крепите бак-накопитель от падения.

- ▶ Транспортировка на тележке (→ рис. 5, стр. 101)
- ▶ Подъём бака краном (→ рис. 6, стр. 101)

5 Монтаж

5.1 Установка

5.1.1 Помещение для установки оборудования



УВЕДОМЛЕНИЕ: Возможны повреждения от замерзания и коррозии!

- ▶ Устанавливайте бак-накопитель в сухом, защищённом от холода помещении.
- ▶ Баки-накопители можно применять только в закрытых системах.
- ▶ Не используйте открытые расширительные баки.

5.1.2 Установка бака-накопителя

→ рис. 7, стр. 102 и рис. 8, стр. 102.

5.2 Гидравлические подключения

У баков-накопителей с теплоизоляцией толщиной 80 мм подключение труб осуществляется после монтажа теплоизоляции.

У баков-накопителей с теплоизоляцией толщиной 120 мм рекомендуется выполнять подключение труб до монтажа теплоизоляции.



ОПАСНО: опасность пожара при выполнении пайки и сварочных работ!

- ▶ По возможности производите пайку и сварку до монтажа теплоизоляции.
- ▶ При проведении пайки и сварки примите необходимые меры защиты, например, накройте теплоизоляцию, так как она является горючим материалом.
- ▶ После проведения работ проверьте невредимость изоляции.



УВЕДОМЛЕНИЕ: Возможно повреждение оборудования из-за неплотных соединений и превышения максимально допустимых значений!

- ▶ Монтируйте соединительные трубопроводы без напряжения.
- ▶ Чтобы не повредить бак, соблюдайте максимальные значения (→ таб. 31, стр. 28 и таб. 33, стр. 28).

Чтобы не допустить в дальнейшем повреждений бака:

- ▶ Используйте монтажный материал с теплостойкостью до 110 °С.
- ▶ Для подключения к контуру солнечного коллектора используйте монтажный материал с теплостойкостью до 135 °С.
- ▶ Все трубопроводы подключайте к баку-водонагревателю через резьбовые соединения (при необходимости с запорными вентилями).
- ▶ В самой низкой точке нижнего подключения установите кран для слива.

Проверка герметичности

→ рис. 10, стр. 103.

5.3 Установка датчика температуры

→ рис. 9, стр. 102.

- ▶ Смажьте контактные поверхности теплопроводящей пастой.
- ▶ Установите датчик в пружинный держатель так, чтобы вся его контактная поверхность плотно прилегала к баку.



Поверхность датчика должна обязательно по всей длине соприкасаться с баком.

- ▶ Концы проводов датчиков температуры имеют соответствующую маркировку.
- ▶ Аккуратно проложите провод датчика так, чтобы можно было смонтировать теплоизоляцию.

5.4 Монтаж теплоизоляции



Оптимальная температура для монтажа теплоизоляции составляет около 15 °С. Легкое постукивание по теплоизоляции в направлении замыкающих концов облегчает их соединение.



Logalux PNR

Если имеется электронагревательный элемент, то для его подключения и укрытия теплоизоляция не требуется.

5.4.1 Монтаж теплоизоляции толщиной 80 мм
→ рис. 11, стр. 103.

5.4.2 Монтаж теплоизоляции толщиной 120 мм



Мы рекомендуем монтировать теплоизоляцию после подключения труб и проверки герметичности.

→ рис. 12, стр. 103.

5.5 Монтаж погружной гильзы для датчиков (опция)



Logalux PR

На задней стороне бака имеется муфта для погружной гильзы. Здесь устанавливается погружная гильза для датчика температуры (→ рис. 9, стр. 102).

- ▶ Для измерения и контроля температуры воды установите на баке в точке замера температурный датчик.
- ▶ Вставьте датчик с зажимной пружиной в погружную гильзу.

5.6 Электрическое подключение



ОПАСНО: угроза для жизни от поражения электрическим током!

- ▶ Работы с электрооборудованием должны выполнять только специалисты, имеющие допуск к проведению таких работ.
- ▶ Перед проведением работ с электрооборудованием обесточьте отопительную установку аварийным выключателем и отключите её от электросети защитным автоматом в здании.
- ▶ Обеспечьте защиту отопительной установки от случайного включения.

- ▶ Проведите провода датчиков к системе управления.
- ▶ Подключите провода датчиков – при этом пользуйтесь инструкцией по монтажу системы управления.

6 Пуск в эксплуатацию



УВЕДОМЛЕНИЕ: Возможно повреждение оборудования из-за неправильно отрегулированного давления воды отопительного контура.

- ▶ Соблюдайте максимально допустимые значения (→ таб. 31, стр. 28 и таб. 33, стр. 28).

Пуск в эксплуатацию должны проводить лица, выполнявшие монтаж отопительной системы, или уполномоченные специалисты

- ▶ Проверьте отсутствие протечек во всех соединениях.
- ▶ Включите отопительную установку – при этом пользуйтесь инструкциями по монтажу и эксплуатации системы управления, котла и солнечного коллектора.

7 Прекращение эксплуатации



ОПАСНО: Возможно ошпаривание горячей водой!

- ▶ После прекращения работы бака-накопителя дайте ему остыть.



УВЕДОМЛЕНИЕ: Возможно повреждение бака из-за замерзания! Если в ваше отсутствие существует опасность замерзания оборудования, то мы рекомендуем не прекращать работу бака-накопителя или в ином случае слить из него воду.

- ▶ Выключите отопительную установку – при этом пользуйтесь инструкциями по монтажу и эксплуатации системы управления, котла и солнечного коллектора.
- ▶ Откройте кран для слива системы.
- ▶ Откройте кран выпуска воздуха для вентиляции системы.
- ▶ Полностью слейте воду из бака и высушите его внутри.

8 Охрана окружающей среды/утилизация

Защита окружающей среды - это основной принцип деятельности предприятий группы Bosch. Качество продукции, экономичность и охрана окружающей среды - это для нас равнозначные цели. Мы строго выполняем законы и правила охраны окружающей среды. Для защиты окружающей среды мы с учётом экономических аспектов применяем наилучшую технику и материалы.

Упаковка

При изготовлении упаковки мы соблюдаем национальные правила утилизации отходов, которые гарантируют оптимальные возможности для переработки материалов. Все используемые упаковочные материалы экологичны и подлежат вторичной переработке.

Оборудование, отслужившее свой срок

Оборудование, отслужившее свой срок, содержит материалы, которые нужно отправлять на повторное использование. Узлы легко снимаются, а пластмасса имеет маркировку. Поэтому можно отсортировать различные конструктивные узлы и отправить их на повторное использование или утилизацию.

9 Техническое обслуживание

Для баков-накопителей кроме периодических осмотров не требуется никакое специальное техническое обслуживание и чистка.

- ▶ Ежегодно проверяйте отсутствие протечек во всех соединениях. Свяжитесь со специализированной отопительной фирмой или с сервисной службой и сообщите о неисправности и данные оборудования.

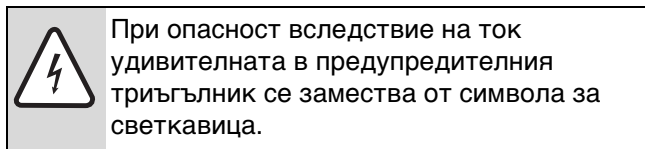
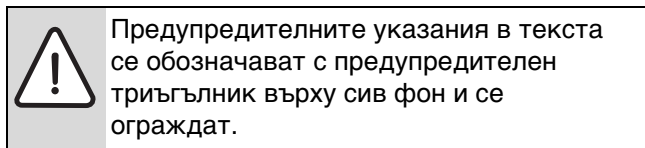
Съдържание

1	Обяснение на символите и указания за безопасност	33
1.1	Обяснение на символите	33
1.2	Указания за безопасност	33
2	Данни за уреда	34
2.1	Описание на продукта	34
2.2	Обхват на доставката	34
2.3	Употреба по предназначение	34
2.4	Инструменти, материали и помощни материали	34
2.5	Технически данни	34
2.5.1	Размери и изводи на буферния бойлер Logalux PR	34
2.5.2	Размери и изводи на соларния буферен бойлер Logalux PNR	34
3	Предписания	35
4	Транспорт	35
5	Монтаж	35
5.1	Монтаж	35
5.1.1	Помещение за монтаж	35
5.1.2	Монтаж на буферния бойлер	36
5.2	Хидравлична връзка	36
5.3	Монтаж на температурния датчик	36
5.4	Монтиране на топлоизолация	36
5.4.1	Монтиране на топлоизолация 80 mm	36
5.4.2	Монтиране на топлоизолация 120 mm	36
5.5	Монтаж на потопяемата гилза (по избор)	36
5.6	Електрическо свързване	37
6	Въвеждане в експлоатация	37
7	Извеждане от експлоатация	37
8	Защита на околната среда/утилизация	37
9	Техническо обслужване	37

1 Обяснение на символите и указания за безопасност

1.1 Обяснение на символите

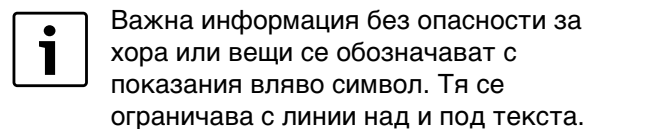
Предупредителни указания



Сигнални думи в началото на предупредително указание обозначават начина и тежестта на последиците, ако не се следят мерките за предотвратяването на опасността.

- **УКАЗАНИЕ** означава, че могат да настъпят материални щети.
- **ВНИМАНИЕ** означава, че могат да настъпват леки до средно тежки телесни повреди.
- **ПРЕДУПРЕЖДЕНИЕ** означава, че могат да се получат тежки наранявания на хора.
- **ОПАСНОСТ** означава, че могат да настъпят опасни за живота телесни повреди.

Важна информация



Други символи

Символ	Значение
▶	Стъпка на действие
→	Препратка към други места в документа или към други документи
•	Изброяване/запис в списък
–	Изброяване/запис в списък (2. ниво)

Табл. 36

Обяснение на символите от страница 99:



Изход на солара



Вход на солара



Изход бойлер



Вход бойлер

Табл. 37 Обяснение на символите за фигурите

1.2 Указания за безопасност

Монтиране и преустройство

- ▶ **Опасност от пожар!** Работи по запояване и заваряване може да доведат до пожар, тъй като топлинната изолация е горима.
- ▶ Инсталиране или преустройство на буферния бойлер трябва да се възлага само на оторизирано предприятие.

Функция

- ▶ За да се гарантира безпроблемно функциониране, спазвайте това ръководство за монтаж и поддръжка.
- ▶ **Опасност от изгаряне!** При работа на буферния бойлер може да възникнат температури над 60 °C.

Техническо обслужване

- ▶ **Препоръка към потребителите:** Сключете договор за обслужване и инспекция с одобрено специализирано предприятие.
- ▶ Използвайте само оригинални резервни части!

Инструктаж на клиентите

- ▶ Информирайте оператора за използването на буферния бойлер и му обърнете особено внимание върху точките за техническа безопасност.
- ▶ Предайте на оператора ръководството за монтаж и техническо обслужване за съхранение до отоплителната инсталация.

2 Данни за уреда

2.1 Описание на продукта

Буферният бойлер се доставя окомплектован. Топлинната изолация и температурният датчик трябва да се монтира.

Има два различни вида буферен бойлер (→ Фиг 4, стр. 101).

- **Буферен бойлер**
 - Logalux PR 500/750/1000-80
 - Logalux PR 500/750/1000-120
- **Соларен буферен бойлер**
 - Logalux PNR 500/750/1000-80 E(W)
 - Logalux PNR 500/750/1000-120 E(W)

Двата вида бойлери се предлагат с топлинна изолация от 80 mm PU-мека пяна или 120 mm кече от полиестерни влакна.

Буферният бойлер е произведен от стомана и оборудван с температурно чувствително рециркулационно захранване.

Възможно е включването на водосъдържащ каминен елемент или котел на твърдо гориво през връзките за отоплителни котли и отоплителни контури.

Соларният буферен бойлер Logalux PNR има допълнителна връзка за соларна инсталация и електро-нагревателен елемент (→ Фиг. 4, стр. 101).

2.2 Обхват на доставката

Буферен бойлер общо

- Водосъдържател
- Техническа документация
- Топлоизолация
- Капак на бойлера
- Горен и долен диск на топлинната изолация
- Пластини с пружинно захващане за температурен датчик.

Буферен бойлер с 80 mm топлинна изолация

- Топлинна изолация за връзка електро-нагревателен елемент (само PNR 500/750/1000-80 E(W))
- Розетки.

Буферен бойлер със 120 mm топлинна изолация

- Топлинна изолация за връзка електро-нагревателен елемент (само PNR 500/750/1000-120 E(W))
- Затварящи бленди.

2.3 Употреба по предназначение

Буферният бойлер Logalux PR и соларният буферен бойлер Logalux PNR с техния голям обем са предназначени като буферна памет за подпомагане на отоплението.

Буферните бойлери може да се пълнят само с топла вода и да работят само в затворени отоплителни инсталации.

Буферните бойлери през станция за прясна вода може да се използват индиректно за затоплянето на питейна вода.

2.4 Инструменти, материали и помощни материали

При транспорт е целесъобразно е да се използва подемна количка, вилков повдигач или кран.

За монтажа са ви необходими стандартните инструменти за газови и водни инсталации.

2.5 Технически данни

2.5.1 Размери и изводи на буферния бойлер Logalux PR

Разрешени максимални стойности Logalux PR500/750/1000		
Работно налягане	bar	3
Работна температура на горещата вода	°C	110

Табл. 38 Разрешени максимални стойности PR

Размери и повърхностно натоварване		PR 500	PR 750	PR 1000
Размер по диагонал	mm	1780	1740	1740
Общо тегло с пълнеж	kg	630	897	1176
Натоварване с тегло за един крак	kg	210	299	392

Табл. 39 Технически данни Logalux PR

2.5.2 Размери и изводи на соларния буферен бойлер Logalux PNR

Разрешени максимални стойности Logalux PNR500/750/1000		
Работно налягане на соларния топлообменник ¹⁾	bar	8
Работно налягане на горещата вода	bar	3
Работна температура на соларния топлообменник	°C	160
Работна температура на горещата вода	°C	110

Табл. 40 Допустими максимални стойности на PNR

1) В зависимост от включването в соларната система е необходима отделна защита (предпазен вентил, разширителен съд).

Размери и повърхностно натоварване		PNR 500	PNR 750	PNR 1000
Размер по диагонал	mm	1780	1790	2250
Общо тегло с пълнеж	kg	655	933	1215
Натоварване с тегло за един крак	kg	219	311	405

Табл. 41 Технически данни Logalux PNR

Соларен топлообменник		PNR 500	PNR 750	PNR 1000
Повърхност	m ²	2,0	2,2	2,7
Обем	l	17	18	23

Табл. 42 Технически данни Logalux PNR

3 Предписания

Инсталирайте и оборудвайте буферния бойлер съгласно специфичните за страната норми и правила.

Технически правила за инсталация на буферни бойлери(избор) в Германия:

Инсталация и оборудване на отоплителни инсталации и нагревателни инсталации за питейна вода

- DIN 4753, Част 1: Водни подгреватели и водогрейни инсталации за питейна и промишлена вода; изисквания, обозначения, оборудване и изпитване
- DIN 18 380: VOB¹⁾; Отоплителни инсталации и централни инсталации за нагряване на вода
- DIN 18 381: VOB¹⁾; Работи по инсталации за газ, вода и отпадни води в сгради.

Електрическо свързване

- DIN VDE0100: Изграждане на силнотоккови инсталации с номинално напрежение до 1000 V
- VDE0190: Главно изравняване на потенциала на електрически съоръжения
- DIN 18 382 VOB¹⁾: Електрически кабелни и проводникови инсталации в сгради

1) VOB: Правила за изпълнение на строителни работи – Част С: Общи технически договорни условия за строителни работи (ATV)



В зависимост от мястото на монтаж (например в различни страни и региони) може да са валидни допълнителни или други изисквания (например изисквания за присъединяване към мрежата).

- ▶ При инсталиране и експлоатация на буферния бойлер и на електронагревателния елемент спазвайте специфичните за страната и региона предписания, правила и стандарти (например на електроснабдителното предприятие).

4 Транспорт



ОПАСНОСТ: Опасност за живота от падащ товар!

- ▶ Използвайте само транспортни въжета, които са в безупречно състояние.
- ▶ Куките да се закачват само в предвидените за това халки на крана.



ПРЕДУПРЕЖДЕНИЕ: Опасност от нараняване поради носене на тежки товари и неправилно обезопасяване при транспорт!

- ▶ Използвайте подходящи транспортни средства, например транспортна количка за чували със стягащ колан.
- ▶ Обезопасете буферния бойлер срещу падане.

- ▶ Транспорт с транспортна количка за чували (→ Фиг. 5, стр. 101)
- ▶ Транспорт с кран (→ Фиг. 6, стр. 101)

5 Монтаж

5.1 Монтаж

5.1.1 Помещение за монтаж



УКАЗАНИЕ: Материални щети поради замръзване и корозия!

- ▶ Монтирайте буферния бойлер в защитено от замръзване и сухо помещение.
- ▶ Използвайте буферния бойлер само в затворени системи.
- ▶ Не използвайте отворен разширителен съд.

5.1.2 Монтаж на буферния бойлер

→ Фиг. 7, стр. 102 и Фиг. 8 стр. 102

5.2 Хидравлична връзка

При буферни бойлери с 80 mm топлинна изолация тръбната инсталация трябва да се постави след топлинната изолация.

При буферни бойлери със 120 mm топлинна изолация препоръчваме монтаж на тръбната инсталация преди поставяне на изолацията.



ОПАСНОСТ: Опасност от пожар от работи по запояване и заваряване!

- ▶ Доколкото е възможно, извършвайте работите по запояване и заваряване преди монтаж на топлинната изолация.
- ▶ При работи по запояване и заваряване вземете подходящи предпазни мерки, тъй като топлинната изолация е горима, (например покрийте топлинната изолация).
- ▶ След работа проверете топлинната изолация за ненарушена цялост.



УКАЗАНИЕ: Материални щети поради неуплътнени връзки и поради превишаване на максималните стойности!

- ▶ Инсталирайте свързващите тръбопроводи без напрежение.
- ▶ За да не се повреди буферният бойлер, спазвайте максималните стойности (→ Табл. 38, стр. 34 и Табл. 40, стр. 34).

За да избегнете по-късни повреди по буферния бойлер:

- ▶ Използвайте инсталационни материали, огнеустойчиви до 110 °С.
- ▶ За соларните връзки използвайте инсталационни материали, топлоустойчиви до 135 °С.
- ▶ Свързваните проводници към бойлера трябва да се изпълнят като винтови съединения, евентуално със спирателен вентил.
- ▶ На най-долната точка на долната връзка клиентът трябва да монтира кран за източване.

Проверете уплътнеността

→ Фиг. 10, стр. 103.

5.3 Монтаж на температурния датчик

→ Фиг. 9, стр. 102.

- ▶ Нанесете топлопроводна паста върху контактните повърхности.
- ▶ Поставете температурния датчик в пружинния държач така, че цялата контактна повърхност на температурния датчик да приляга гладко отвън към водосъдържателя.



Обърнете внимание повърхността на датчика да има контакт към повърхността на обшивката на бойлера по цялата дължина.

- ▶ Надпишете съответно проводниците на температурния датчик на края на кабела.
- ▶ Положете внимателно проводника на датчика към регулиращото устройство така, че да може да се монтира изолацията.

5.4 Монтиране на топлоизолация



Топлинната изолация се изолира оптимално при ок. 15 °С. Леко почукване по топлинната изолация по посока на задните краища улеснява събирането им.



Logalux PNR

Ако използвате електро-нагревателен елемент, топлината изолация за връзката електро-нагревателен елемент и капака не е необходима.

5.4.1 Монтиране на топлоизолация 80 mm

→ Фиг. 11, стр. 103.

5.4.2 Монтиране на топлоизолация 120 mm



Препоръчваме инсталацията и проверката за уплътненост да се извършва преди монтажа на топлоизолацията.

→ Фиг. 12, стр. 103.

5.5 Монтаж на потопяемата гилза (по избор)



Logalux PR

На задната страна на буферния бойлер се намира муфата за уплътняване на потопяема гилза от страна на клиента. Тук може да се вгради потопяема гилза за температурен датчик (→ Фиг. 9, стр. 102).

- ▶ За измерване и контрол на температурата на топлата вода на буферния бойлер, монтирайте температурния датчик на точката на измерване.
- ▶ Въведете температурния датчик с клемната пружина в потопяемата гилза.

5.6 Електрическо свързване



ОПАСНОСТ: Опасност за живота поради електрически ток!

- ▶ Уверете се, че електротехническите дейности се извършват от оторизиран електротехник.
- ▶ Преди отваряне на регулиращото устройство изключете отоплителната инсталация от електрическата мрежа чрез аварийния прекъсвач на отоплението и прекъснете централното захранване от електрическата мрежа.
- ▶ Подсигурете отоплителната инсталация срещу непредумишлено включване.

- ▶ Прокарайте проводниците на датчика до регулиращото устройство.
- ▶ Свържете електрически проводниците на датчика, при това обърнете внимание на ръководството за инсталация на регулиращото устройство.

6 Въвеждане в експлоатация



УКАЗАНИЕ: Материални щети поради неправилно настроено налягане на страната на горещата вода!

- ▶ Вземете предвид разрешените максимални стойности (→ Табл. 38, стр. 34 и Табл. 40, стр. 34).

Въвеждането в експлоатация трябва да се извършва от създателя на отоплителната инсталация или от упълномощен специалист.

- ▶ Проверете херметичността на всички връзки!
- ▶ Въведете в експлоатация отоплителната инсталация, при това съблюдавайте ръководствата за инсталация и обслужване на регулиращото устройство, на топлинния генератор и на соларната инсталация.

7 Извеждане от експлоатация



ОПАСНОСТ: Опасност от попарване с гореща вода!

- ▶ След извеждане от експлоатация оставете буферния бойлер да се охлади достатъчно.



УКАЗАНИЕ: Повреда на бойлера от замръзване!

Ако през Вашето отсъствие съществува опасност от замръзване, препоръчваме да оставите буферния бойлер да работи или да го изведете от експлоатация и да го източите.

- ▶ Изведете от експлоатация отоплителната инсталация, при това съблюдавайте ръководствата за инсталация и обслужване на регулиращото устройство, на топлинния генератор и на соларната инсталация.
- ▶ Отворете вентила за източване на инсталацията.
- ▶ Отворете обезвъздушаването с цел вентилиране.
- ▶ Изпразнете изцяло буферния бойлер и изсушете вътрешното пространство.

8 Защита на околната среда/утилизация

Опазването на околната среда е основен принцип на групата Bosch.

Качеството на изделията, икономичността и опазването на околната среда за нас са цели с еднаква тежест. Законите и предписанията за защита на околната среда се спазват стриктно. За опазването на околната среда ние използваме най-добрата възможна техника и материали, като отчитаме аргументите от гледна точка на икономическата ефективност.

Опаковка

По отношение на опаковката ние участваме в специфичните за отделните провинции системи за утилизация, гарантиращи оптимално рециклиране. Всички използвани за амбалажа материали са екологично чисти и могат да се използват многократно.

Бракуван уред

Бракуваните уреди съдържат ценни материали, които трябва да се подложат на рециклиране. Конструктивните възли се отделят лесно, а пластмасовите детайли са обозначени. По този начин различните конструктивни възли могат да се сортират и да се предадат за рециклиране или унищожаване като отпадъци.

9 Техническо обслужване

При буферните бойлери освен визуални проверки не са необходими други дейности по техническо обслужване или поддръжка.

- ▶ Проверявайте всяка година отвън всички изводи за теч. Обадете се на специализирано предприятие или служба за клиенти и съобщете неизправността, както и данните на уреда.

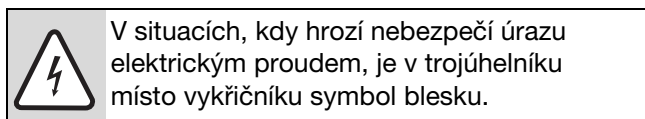
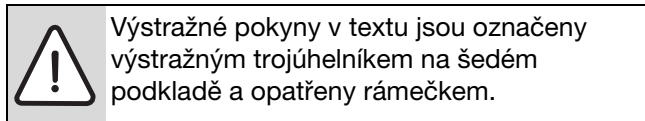
Obsah

1	Vysvětlení symbolů a bezpečnostní pokyny	39
1.1	Použité symboly	39
1.2	Bezpečnostní pokyny	39
2	Údaje o přístroji	40
2.1	Popis výrobku	40
2.2	Rozsah dodávky	40
2.3	Používání k určenému účelu	40
2.4	Nářadí, materiály a pomůcky	40
2.5	Technické údaje	40
2.5.1	Rozměry a přípojky akumulčního zásobníku Logalux PR	40
2.5.2	Rozměry a přípojky solárního akumulčního zásobníku Logalux PNR	40
3	Předpisy	41
4	Doprava	41
5	Montáž	41
5.1	Instalace	41
5.1.1	Místo instalace	41
5.1.2	Ustavení akumulčního zásobníku	41
5.2	Hydraulické připojení	41
5.3	Připojení čidla teploty	42
5.4	Montáž tepelné izolace	42
5.4.1	Montáž tepelné izolace tl. 80 mm	42
5.4.2	Montáž tepelné izolace tl. 120 mm	42
5.5	Montáž jímky (alternativně)	42
5.6	Elektrické připojení	42
6	Uvedení do provozu	43
7	Odstavení z provozu	43
8	Ochrana životního prostředí/ Likvidace odpadu	43
9	Údržba	43

1 Vysvětlení symbolů a bezpečnostní pokyny

1.1 Použité symboly

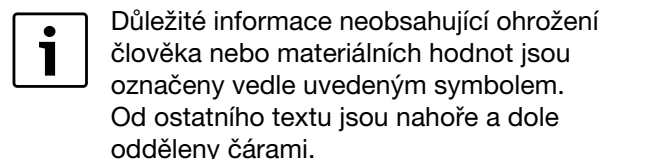
Výstražné pokyny



Signální slova na začátku výstražných pokynů označují druh a závažnost následků, pokud nebude dodržen postup odvrácení nebezpečí.

- **OZNÁMENÍ** znamená, že může dojít k materiálním škodám.
- **UPOZORNĚNÍ** znamená, že může dojít k lehkým až středně těžkým poraněním osob.
- **VAROVÁNÍ** signalizuje nebezpečí těžkého poranění osob.
- **NEBEZPEČÍ** znamená, že mohou vzniknout těžké újmy na zdraví osob.

Důležité informace



Další symboly

Symbol	Význam
▶	požadovaný úkon
→	odkaz na jiná místa v dokumentu nebo na jiné dokumenty
•	výčet/položka seznamu
–	výčet/položka seznamu (2. rovina)

Tab. 43

Vysvětlení symbolů na obrázcích od strany 99:



Tab. 44 Vysvětlení symbolů v obrázcích

1.2 Bezpečnostní pokyny

Instalace a přestavba

- ▶ **Nebezpečí požáru!** Při pájení a svařování hrozí nebezpečí požáru, jelikož tepelná izolace je hořlavá.
- ▶ Instalaci nebo přestavbu svěřte pouze autorizované odborné firmě.

Funkce

- ▶ Aby byla zaručena bezchybná funkce, dodržujte tento návod k instalaci a údržbě.
- ▶ **Nebezpečí opaření!** Při provozu akumulačního zásobníku se mohou vyskytnout teploty vyšší než 60 °C.

Údržba

- ▶ **Doporučení pro zákazníka:** S autorizovanou odbornou firmou uzavřete smlouvu o servisních prohlídkách a údržbě.
- ▶ Používejte pouze originální náhradní díly!

Poučení zákazníka

- ▶ Provozovatele zařízení informujte o používání akumulačního zásobníku a upozorněte jej na bezpečnostní aspekty provozu.
- ▶ Předějte provozovateli návod k instalaci a údržbě k uschování u topného systému.

2 Údaje o přístroji

2.1 Popis výrobku

Akumulační zásobník se dodává kompletně smontovaný. Namontovat je nutné tepelnou izolaci a čidlo teploty.

Existují dva různé druhy akumulčních zásobníků (→ obr. 4, str. 101).

- **Akumulační zásobník**
 - Logalux PR 500/750/1000-80
 - Logalux PR 500/750/1000-120
- **Solární akumulční zásobník**
 - Logalux PNR 500/750/1000-80 E(W)
 - Logalux PNR 500/750/1000-120 E(W)

Oba druhy existují s tepelnou izolací z měkké PU pěny o tloušťce 80 mm nebo s izolací z polyesterového vláknitého rouna o tloušťce 120 mm.

Akumulační zásobník je vyroben z oceli a vybaven teplotně náchylným napájením zpátečky.

Napojení teplovodní křbové vložky nebo kotle na pevná paliva je možné provést pomocí přípojek pro kotel a otopné okruhy.

Solární akumulční zásobník Logalux PNR má dodatečně přípojku pro solární zařízení a elektrickou topnou vložkou (→ obr. 4, str. 101).

2.2 Rozsah dodávky

Akumulační zásobník všeobecně

- Nádrž zásobníku
- Technická dokumentace
- Tepelná izolace
- Kryt zásobníku
- Horní a dolní tepelná izolace
- Přítlačné plechy pro čidlo teploty

Akumulační zásobník s tepelnou izolací o tloušťce 80 mm

- Tepelná izolace pro připojení elektrické topné vložky (jen PNR 500/750/1000-80 E(W))
- Rozety.

Akumulační zásobník s tepelnou izolací o tloušťce 120 mm

- Tepelná izolace pro připojení elektrické topné vložky (jen PNR 500/750/1000-120 E(W))
- Záslepky stanice.

2.3 Používání k určenému účelu

Akumulační zásobníky Logalux PR a solární zásobníky Logalux PNR jsou díky velkému objemu určeny jako akumulční zásobníky k podpoře vytápění.

Akumulační zásobníky smějí být plněny pouze otopnou vodou a provozovány jen v uzavřených topných systémech.

Akumulační zásobníky mohou být používány nepřímo prostřednictvím stanice čerstvé vody pro ohřev pitné vody.

2.4 Nářadí, materiály a pomůcky

K přepravě je vhodné použít nízkozdvíhový vozík, vysokozdvíhový vozík nebo jeřáb.

K montáži potřebujete standardní nářadí používané při instalaci plynu a vody.

2.5 Technické údaje

2.5.1 Rozměry a přípojky akumulčního zásobníku Logalux PR

Maximální přípustné hodnoty Logalux PR500/750/1000		
Provozní tlak	bar	3
Provozní teplota otopné vody	°C	110

Tab. 45 Maximální přípustné hodnoty PR

Rozměry a plošné zatížení		PR 500	PR 750	PR 1000
Klopná míra	mm	1780	1740	1740
Celková hmotnost s náplní	kg	630	897	1176
Zatížení na jednu nohu	kg	210	299	392

Tab. 46 Technické údaje Logalux PR

2.5.2 Rozměry a přípojky solárního akumulčního zásobníku Logalux PNR

Maximální přípustné hodnoty Logalux PNR500/750/1000		
Provozní tlak solárního výměníku tepla ¹⁾	bar	8
Provozní tlak otopné vody	bar	3
Provozní teplota solárního výměníku tepla	°C	160
Provozní teplota otopné vody	°C	110

Tab. 47 Maximální přípustné hodnoty PNR

1) Podle zapojení do solárního zařízení je zapotřebí individuální jistění (pojistný ventil, membránová expanzní nádoba).

Rozměry a plošné zatížení		PNR 500	PNR 750	PNR 1000
Klopná míra	mm	1780	1790	2250
Celková hmotnost s náplní	kg	655	933	1215
Zatížení na jednu nohu	kg	219	311	405

Tab. 48 Technické údaje Logalux PNR

Solární výměník tepla		PNR 500	PNR 750	PNR 1000
Velikost výměníku	m ²	2,0	2,2	2,7
Obsah	l	17	18	23

Tab. 49 Technické údaje Logalux PNR

3 Předpisy

Akumulační zásobník instalujte a vybavte v souladu s normami a předpisy specifickými pro danou zemi.

Technická pravidla platná pro instalaci akumulčních zásobníků (výběr) v Německu:

Instalace a vybavení systémů pro vytápění a ohřev teplé vody

- DIN 4753, část 1: Ohřivače vody a zařízení sloužící k ohřevu pitné a užitkové vody; Požadavky, označování, výbava a zkoušení
- DIN 18 380: VOB¹⁾; Topné systémy a centrální systémy pro ohřev vody
- DIN 18 381: VOB¹⁾; Instalace rozvodů pro plyn, vodu a odpadní vodu uvnitř budov.

Elektrické připojení

- DIN VDE0100: Zřizování silnoproudých zařízení s jmenovitým napětím do 1000 V
- VDE0190: Vyrovnávání hlavního potenciálu elektrických zařízení
- DIN 18 382 VOB¹⁾: Elektrická zařízení s kabely a vodiči v budovách.



V závislosti na místě instalace (např. v různých zemích a regionech) mohou platit doplňující nebo jiné požadavky (např. požadavky na připojení k síti).

- ▶ Při instalaci a provozu akumulčního zásobníku a elektrické topné vložky dodržujte předpisy, směrnice a normy (např. dodavatele energie) platné v příslušné zemi či regionu.

1) VOB: Předpis pro zadávání stavebních prací - část C: Všeobecné technické smluvní podmínky pro stavební práce (ATV)

4 Doprava



NEBEZPEČÍ: Ohrožení života padajícím břemenem!

- ▶ Používejte pouze taková přepravní lana, která jsou v bezvadném stavu.
- ▶ Háky zavěšujte výhradně do příslušných jeřábových ok.



VAROVÁNÍ: Nebezpečí úrazu při přenášení příliš těžkých břemen a neodborném zajištění při přepravě!

- ▶ K přepravě použijte vhodné prostředky, např. rudl s upínacím popruhem.
- ▶ Akumulační zásobník zajistěte proti pádu.

- ▶ Přeprava pomocí rudlu (→ obr. 5, str. 101)

- ▶ Přeprava jeřábem (→ obr. 6, str. 101)

5 Montáž

5.1 Instalace

5.1.1 Místo instalace



OZNÁMENÍ: Možnost vzniku materiální škody v důsledku mrazu a koroze!

- ▶ Akumulační zásobník instalujte v prostorách, kde je sucho a nehrozí mráz.
- ▶ Akumulační zásobník používejte pouze v uzavřených soustavách.
- ▶ Nepoužívejte otevřené expanzní nádoby.

5.1.2 Ustavení akumulčního zásobníku

→ obr. 7, str. 102 a obr. 8, str. 102.

5.2 Hydraulické připojení

U akumulčních zásobníků s tepelnou izolací o tloušťce 80 mm je instalaci potrubí nutné provést po instalaci tepelné izolace.

U akumulčních zásobníků s tepelnou izolací tl. 120 mm doporučujeme provést montáž potrubí před nasazením izolace.



NEBEZPEČÍ: Nebezpečí vzniku požáru při pájení a svařování!

- ▶ Je-li to možné, proveďte pájení a svařování před namontováním tepelné izolace.
- ▶ Jelikož je tepelná izolace hořlavá, učiňte při pájení a svařování vhodná ochranná opatření (např. tepelnou izolaci zakryjte).
- ▶ Po skončení práce zkontrolujte neporušenost tepelné izolace.



OZNÁMENÍ: Možnost vzniku materiální škody v důsledku netěsnících přípojek a překročení maximálních hodnot!

- ▶ Potrubí připojujte tak, aby se v něm přitom nevytvořilo pnutí.
- ▶ Abyste akumulční zásobník nepoškodili, dodržujte maximální hodnoty (→ tab. 45, str. 40 a tab. 47, str. 40).

Chcete-li zamezit pozdějšího poškození akumulčního zásobníku:

- ▶ Používejte instalační materiál odolávající teplotám do 110 °C.
- ▶ Pro solární přípojky používejte instalační materiál odolávající teplotám do 135 °C.
- ▶ Všechna připojovací potrubí připojte k zásobníku prostřednictvím šroubení a příp. instalujte uzavírací ventil.
- ▶ V nejnižším bodě spodní přípojky namontujte ze strany stavby vypouštěcí kohout.

Zkouška těsnosti

→ obr.10, str. 103.

5.3 Připojení čidla teploty

→ obr.9, str. 102:

- ▶ Kontaktní plochu natřete tepelně vodivou pastou.
- ▶ Čidlo teploty vložte do pružinového držáku tak, aby celá kontaktní plocha čidla venku hladce přiléhala na nádrž zásobníku.



Dbejte na to, aby plocha čidla měla po celé délce kontakt s pláštěm zásobníku.

- ▶ Vodiče čidla teploty na konci kabelu příslušně popište.
- ▶ Vodiče čidla ved'te pečlivě k regulátoru tak, aby bylo možné namontovat izolaci.

5.4 Montáž tepelné izolace



Tepelnou izolaci lze optimálně namontovat asi při 15 °C. Mírné poklepání na tepelnou izolaci ve směru konců spon usnadní spojení obou konců.



Logalux PNR

Použijete-li elektrickou topnou vložku, není tepelná izolace pro připojení elektrické topné vložky a kryt zapotřebí.

5.4.1 Montáž tepelné izolace tl. 80 mm

→ obr.11, str. 103.

5.4.2 Montáž tepelné izolace tl. 120 mm



Instalaci a zkoušku těsnosti doporučujeme provést před montáží tepelné izolace.

→ obr.12, str. 103.

5.5 Montáž jímky (alternativně)



Logalux PR

Na zadní straně akumulčního zásobníku je hrdlo pro utěsnění jímky ze strany stavby. Zde lze namontovat jímku pro čidlo teploty (→ obr. 9, str. 102).

- ▶ Čidlo teploty k měření a hlídání teploty teplé vody namontujte na akumulční zásobník v měřicím místě.
- ▶ Teplotní čidlo zaveďte do jímky se svěrací pružinou.

5.6 Elektrické připojení



NEBEZPEČÍ: Nebezpečí ohrožení života elektrickým proudem!

- ▶ Zajistěte, aby práce na elektrické instalaci prováděl pouze autorizovaný elektrikář.
- ▶ Před otevřením regulačního přístroje odpojte topný systém pomocí nouzového vypínače vytápění a pomocí odpovídajícího domácího jističe od elektrické sítě.
- ▶ Zabezpečte topný systém proti náhodnému zapnutí.

- ▶ Vodiče čidel zaveďte do regulačního přístroje.
- ▶ Vodiče čidel připojte elektricky – přitom se řiďte návodem k instalaci regulačního přístroje.

6 Uvedení do provozu



OZNÁMENÍ: Možnost vzniku materiální škody v důsledku nesprávně nastaveného tlaku na straně otopné vody!

- ▶ Dodržujte maximální přípustné hodnoty (→ tab. 45, str. 40 a tab. 47, str. 40).

Uvedení do provozu musí provést zhotovitel topného systému nebo pověřený odborník.

- ▶ Zkontrolujte těsnost všech přípojek.
- ▶ Uved'te topný systém do provozu – dodržujte přitom návody k instalaci a obsluze regulačního přístroje, zdrojů tepla a solárního zařízení.

7 Odstavení z provozu



NEBEZPEČÍ: Nebezpečí opaření horkou vodou!

- ▶ Akumulační zásobník nechte po odstavení z provozu dostatečně vychladnout.



OZNÁMENÍ: Nebezpečí poškození zásobníku mrazem!

Pokud ve Vaší nepřítomnosti hrozí mrazy, doporučujeme ponechat akumulaci v provozu nebo jej z provozu odstavit a vypustit.

- ▶ Odstavte topný systém z provozu – dodržujte přitom návody k instalaci a obsluze regulačního přístroje, zdrojů tepla a solárního zařízení.
- ▶ Otevřete vypouštěcí ventil systému.
- ▶ Otevřete odvětrání, aby mohl vnikat vzduch.
- ▶ Akumulační zásobník úplně vypustte a vnitřní prostor vysušte.

8 Ochrana životního prostředí/Likvidace odpadu

Ochrana životního prostředí je podniková zásada skupiny Bosch.

Kvalita výrobků, hospodárnost a ochrana životního prostředí jsou pro nás rovnocenné cíle. Zákony a předpisy o ochraně životního prostředí důsledně dodržujeme. K ochraně životního prostředí používáme s ohledem na hospodářská hlediska nejlepší možnou technologii a materiály.

Obaly

Obaly, které používáme, jsou v souladu s recyklačními systémy příslušných zemí zaručujícími jejich optimální opětovné využití. Všechny použité obalové materiály jsou šetrné vůči životnímu prostředí a lze je znovu zužitkovat.

Staré zařízení

Staré přístroje obsahují hodnotné materiály, které je třeba recyklovat.

Konstrukční skupiny lze snadno oddělit a umělé hmoty jsou označeny. Takto lze rozdílné konstrukční skupiny roztřídit a provést jejich recyklaci nebo likvidaci.

9 Údržba

Kromě vizuálních prohlídek není u akumulaci nutná žádná zvláštní údržba a čištění.

- ▶ Každý rok zkontrolujte vizuálně těsnost všech přípojek.
Spojte se telefonicky s autorizovanou odbornou firmou nebo se zákaznickým servisem, informujte je o poruše a sdělte jim data přístroje.

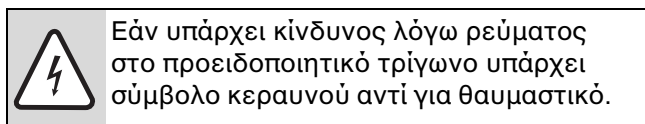
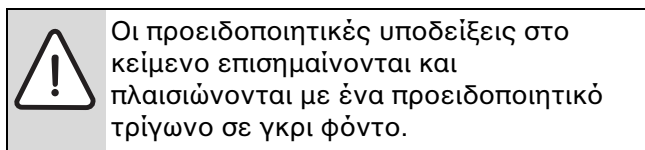
Περιεχόμενα

1	Επεξήγηση συμβόλων και υποδείξεις ασφαλείας	45
1.1	Επεξήγηση συμβόλων	45
1.2	Οδηγίες για την ασφάλειά σας	45
2	Στοιχεία για τη συσκευή	46
2.1	Περιγραφή του προϊόντος	46
2.2	Περιεχόμενο παραγγελίας	46
2.3	Προδιαγραφόμενη χρήση	46
2.4	Εργαλεία, πρώτες ύλες και βοηθητικά μέσα	46
2.5	Τεχνικά στοιχεία	46
2.5.1	Διαστάσεις και συνδέσεις δοχείου αδράνειας Logalux PR	46
2.5.2	Διαστάσεις και συνδέσεις δοχείου αδράνειας ηλιακού Logalux PNR	46
3	Προδιαγραφές	47
4	Μεταφορά	47
5	Τοποθέτηση	47
5.1	Τοποθέτηση	47
5.1.1	Χώρος τοποθέτησης	47
5.1.2	Τοποθέτηση δοχείου αδράνειας	48
5.2	Υδραυλική σύνδεση	48
5.3	Συναρμολόγηση αισθητήρων θερμοκρασίας	48
5.4	Τοποθέτηση θερμομόνωσης	48
5.4.1	Τοποθέτηση θερμομόνωσης 80 mm	48
5.4.2	Τοποθέτηση θερμομόνωσης 120 mm	48
5.5	Τοποθέτηση κυαθίου εμβάπτισης (προαιρετικά)	48
5.6	Ηλεκτρική σύνδεση	49
6	Έναρξη λειτουργίας	49
7	Τερματισμός λειτουργίας	49
8	Προστασία του περιβάλλοντος/απόρριψη	49
9	Συντήρηση	49

1 Επεξήγηση συμβόλων και υποδείξεις ασφαλείας

1.1 Επεξήγηση συμβόλων

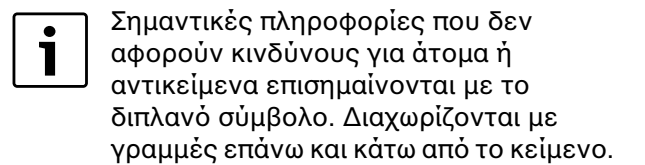
Προειδοποιητικές υποδείξεις



Οι λέξεις κλειδιά στην αρχή μιας προειδοποιητικής υπόδειξης επισημαίνονται το είδος και τη σοβαρότητα των συνεπειών, σε περίπτωση που δεν τηρούνται τα μέτρα για την αποφυγή του κινδύνου.

- **ΕΙΔΟΠΟΙΗΣΗ** σημαίνει ότι υπάρχει κίνδυνος πρόκλησης υλικών ζημιών.
- **ΠΡΟΣΟΧΗ** σημαίνει ότι υπάρχει κίνδυνος πρόκλησης ελαφρών ή μέτριας σοβαρότητας τραυματισμών.
- **ΠΡΟΕΙΔΟΠΟΙΗΣΗ** σημαίνει ότι υπάρχει κίνδυνος πρόκλησης σοβαρών τραυματισμών.
- **ΚΙΝΔΥΝΟΣ** σημαίνει, ότι μπορεί να προκληθούν τραυματισμοί που μπορεί να αποβούν θανατηφόροι.

Σημαντικές πληροφορίες

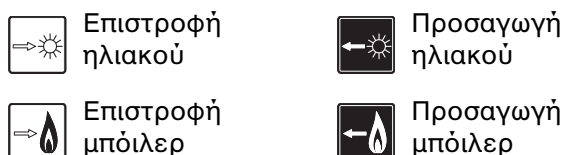


Περαιτέρω σύμβολα

Σύμβολο	Ερμηνεία
▶	Ενέργεια
→	Παραπομπή σε άλλα σημεία του εγγράφου ή σε άλλα έγγραφα
•	Παράθεση/καταχώρηση στη λίστα
–	Παράθεση/καταχώρηση στη λίστα (2 ο επίπεδο)

Πίν. 50

Επεξήγηση συμβόλων στις εικόνες από σελίδα 99:



Πίν. 51 Επεξήγηση συμβόλων για τις εικόνες

1.2 Οδηγίες για την ασφάλειά σας

Τοποθέτηση και μετασκευή

- ▶ **Κίνδυνος πυρκαγιάς!** Οι εργασίες κόλλησης και συγκόλλησης ενδέχεται να προκαλέσουν πυρκαγιά, καθώς η θερμομόνωση είναι εύφλεκτη.
- ▶ Αναθέστε την τοποθέτηση ή τη μετασκευή του δοχείου αδράνειας αποκλειστικά σε εξουσιοδοτημένη τεχνική εταιρεία.

Λειτουργία

- ▶ Για να εξασφαλισθεί η απρόσκοπτη λειτουργία, προσέξτε τις παρούσες οδηγίες εγκατάστασης και συντήρησης.
- ▶ **Κίνδυνος εγκαύματος!** Κατά τη λειτουργία του δοχείου αδράνειας μπορεί να παρουσιαστούν θερμοκρασίες άνω των 60 °C.

Συντήρηση

- ▶ **Συμβουλή για τον πελάτη:** Συνάψτε σύμβαση συντήρησης και επιθεώρησης με κάποια εξουσιοδοτημένη τεχνική εταιρεία.
- ▶ Χρησιμοποιείτε αποκλειστικά αυθεντικά ανταλλακτικά!

Ενημέρωση του πελάτη

- ▶ Ενημερώστε τον υπεύθυνο για τον χειρισμό του δοχείου αδράνειας και επισημάνετε ιδιαίτερα τα θέματα τεχνικής ασφάλειας.
- ▶ Παραδώστε στον ιδιοκτήτη τις οδηγίες εγκατάστασης και συντήρησης και συστήστε του να τις φυλάξει στην εγκατάσταση θέρμανσης.

2 Στοιχεία για τη συσκευή

2.1 Περιγραφή του προϊόντος

Το δοχείο αδράνειας παραδίδεται πλήρες. Η θερμομόνωση και ο αισθητήρας θερμοκρασίας πρέπει να συναρμολογηθούν.

Υπάρχουν δύο διαφορετικά είδη δοχείου αδράνειας (→ εικόνα 4, σελίδα 101).

- **Δοχείο αδράνειας**
 - Logalux PR 500/750/1000-80
 - Logalux PR 500/750/1000-120
- **Δοχείο αδράνειας ηλιακού**
 - Logalux PNR 500/750/1000-80 E(W)
 - Logalux PNR 500/750/1000-120 E(W)

Και τα δύο είδη δοχείου αδράνειας διατίθενται με θερμομόνωση μαλακού αφρού πολυουρεθάνης 80 mm ή με θερμομόνωση παπλώματος (fleece) πολυεστέρα 120 mm.

Το δοχείο αδράνειας είναι κατασκευασμένο από χάλυβα και εξοπλισμένο με κατάλληλες εισόδους επιστροφής νερού για ταχεία διαστρωμάτωση.

Η σύνδεση μιας ενεργειακής εστίας νερού (τζάκι ή ξυλόσομπα) ή ενός λέβητα στερεού καυσίμου είναι εφικτή μέσω των συνδέσεων για το λέβητα και το κύκλωμα θέρμανσης.

Το δοχείο αδράνειας ηλιακού Logalux PNR διαθέτει πρόσθετα μια σύνδεση για την ηλιακή εγκατάσταση και την ηλεκτρική αντίσταση (→ εικόνα 4, σελίδα 101).

2.2 Περιεχόμενο παραγγελίας

Δοχείο αδράνειας γενικά

- Δοχείο μπόιλερ
- Τεχνικά έγγραφα
- Θερμομόνωση
- Κάλυμμα μπόιλερ
- Πάνω και κάτω θερμομονωτικό καπάκι
- Ελάσματα σύσφιξης για τον αισθητήρα θερμοκρασίας.

Δοχείο αδράνειας με θερμομόνωση 80 mm

- Θερμομόνωση για σύνδεση ηλεκτρικής αντίστασης (μόνο PNR 500/750/1000-80 E(W))
- Ροζέττες.

Δοχείο αδράνειας με θερμομόνωση 120 mm

- Θερμομόνωση για σύνδεση ηλεκτρικής αντίστασης (μόνο PNR 500/750/1000-120 E(W))
- Καλύπτρες.

2.3 Προδιαγραφόμενη χρήση

Τα δοχεία αδράνειας Logalux PR και τα δοχεία αδράνειας ηλιακού Logalux PNR προορίζονται χάρη στη μεγάλη χωρητικότητά τους ως δοχεία αδράνειας για την υποστήριξη θέρμανσης.

Η πλήρωση των δοχείων αδράνειας πρέπει να γίνεται μόνο με νερό θέρμανσης και η λειτουργία τους επιτρέπεται μόνο σε κλειστά κυκλώματα θέρμανσης.

Τα δοχεία αδράνειας μπορούν να χρησιμοποιηθούν έμμεσα μέσω ενός σταθμού καθαρού νερού (με εναλλάκτη) για τη θέρμανση πόσιμου νερού.

2.4 Εργαλεία, πρώτες ύλες και βοηθητικά μέσα

Για τη μεταφορά ενδείκνυται ένα ανυψωτικό όχημα, ένα περονοφόρο ανυψωτικό όχημα ή ένας γερανός.

Για τη συναρμολόγηση θα χρειαστείτε τα εργαλεία που χρησιμοποιούνται συνήθως σε εγκαταστάσεις αερίου και νερού.

2.5 Τεχνικά στοιχεία

2.5.1 Διαστάσεις και συνδέσεις δοχείου αδράνειας Logalux PR

Επιτρεπόμενες μέγιστες τιμές Logalux PR500/750/1000		
Πίεση λειτουργίας	bar	3
Θερμοκρασία λειτουργίας νερού θέρμανσης	°C	110

Πίν. 52 Επιτρεπόμενες μέγιστες τιμές PR

Διαστάσεις και βάρος		PR 500	PR 750	PR 1000
Ύψος δοχείου χωρίς μόνωση	mm	1780	1740	1740
Συνολικό βάρος με πλήρωση	kg	630	897	1176
Φορτίο βάρους ανά πέλμα στήριξης	kg	210	299	392

Πίν. 53 Τεχνικά χαρακτηριστικά Logalux PR

2.5.2 Διαστάσεις και συνδέσεις δοχείου αδράνειας ηλιακού Logalux PNR

Επιτρεπόμενες μέγιστες τιμές Logalux PNR500/750/1000		
Πίεση λειτουργίας ηλιακού εναλλάκτη θερμότητας ¹⁾	bar	8
Πίεση λειτουργίας νερού θέρμανσης	bar	3
Θερμοκρασία λειτουργίας ηλιακού εναλλάκτη θερμότητας	°C	160
Θερμοκρασία λειτουργίας νερού θέρμανσης	°C	110

Πίν. 54 Επιτρεπόμενες μέγιστες τιμές PNR

- 1) Ανάλογα με τη σύνδεση στην ηλιακή εγκατάσταση απαιτείται μία μεμονωμένη ασφάλεια (βαλβίδα ασφαλείας, δοχείο διαστολής).

Διαστάσεις και βάρος		PNR 500	PNR 750	PNR 1000
Ύψος δοχείου χωρίς μόνωση	mm	1780	1790	2250
Συνολικό βάρος με πλήρωση	kg	655	933	1215
Φορτίο βάρους ανά πέλμα στήριξης	kg	219	311	405

Πίν. 55 Τεχνικά χαρακτηριστικά Logalux PNR

Ηλιακός εναλλάκτης θερμότητας		PNR 500	PNR 750	PNR 1000
Επιφάνεια	m ²	2,0	2,2	2,7
Περιεχόμενα	l	17	18	23

Πίν. 56 Τεχνικά χαρακτηριστικά Logalux PNR

3 Προδιαγραφές

Εγκαταστήστε και εξοπλίστε το δοχείο αδράνειας σύμφωνα με τους κανονισμούς και τις οδηγίες που ισχύουν στη χώρα σας.

Τεχνικοί κανόνες για την εγκατάσταση δοχείων αδράνειας (επιλογή) στη Γερμανία:

Εγκατάσταση και εξοπλισμός εγκαταστάσεων θέρμανσης και θέρμανσης πόσιμου νερού

- DIN 4753, Μέρος 1ο: Θερμαντήρες νερού και εγκαταστήρες θέρμανσης για πόσιμο νερό και νερό χρήσης. Απαιτήσεις, σήμανση, εξοπλισμός και έλεγχος
- DIN 18 380: VOB¹⁾ Εγκαταστάσεις θέρμανσης και κεντρικές εγκαταστάσεις θέρμανσης νερού
- DIN 18 381: VOB¹⁾ Εργασίες εγκατάστασης αερίου, νερού και λυμάτων στο εσωτερικό των κτιρίων.

Ηλεκτρική σύνδεση

- DIN VDE0100: Δημιουργία εγκαταστάσεων υψηλής τάσεως με ονομαστική ηλεκτρική τάση έως 1000 V
- VDE0190: Κύρια ισοδυναμική σύνδεση ηλεκτρικών εγκαταστάσεων

1) VOB: Κανόνες που καθορίζουν τη σχέση εργοδότη και εργολάβου για εκτέλεση έργων – Μέρος C: Γενικοί όροι τεχνικών συμβάσεων για εκτέλεση έργων (ATV).

- DIN 18 382 VOB¹⁾: Ηλεκτρικές εγκαταστάσεις καλωδίων και σωλήνων σε κτίρια.



Ανάλογα με το χώρο τοποθέτησης (π.χ. σε διάφορες χώρες και περιοχές) ενδέχεται να εφαρμόζονται συμπληρωματικές ή άλλες απαιτήσεις (π.χ. απαιτήσεις για τη σύνδεση με το δίκτυο).

- ▶ Κατά την εγκατάσταση και τη λειτουργία του δοχείου αδράνειας και της ηλεκτρικής αντίστασης τηρήστε οπωσδήποτε τους κανονισμούς, τις οδηγίες και τα πρότυπα (π.χ. εταιρία ηλεκτρισμού) που ισχύουν κατά χώρα και κατά περιοχή.

4 Μεταφορά



ΚΙΝΔΥΝΟΣ: Κίνδυνος θανάτου λόγω πτώσης φορτίου!

- ▶ Χρησιμοποιείτε αποκλειστικά συρματόσχοινα μεταφοράς που βρίσκονται σε άριστη κατάσταση.
- ▶ Αναρτάτε τους γάντζους μόνο στους προβλεπόμενους κρίκους γερανού.



ΠΡΟΕΙΔΟΠΟΙΗΣΗ: Κίνδυνος τραυματισμού κατά τη μεταφορά μεγάλων φορτίων και σε περίπτωση ανεπαρκούς ασφάλισης κατά τη μεταφορά!

- ▶ Χρησιμοποιείτε κατάλληλα μέσα μεταφοράς, π.χ. ένα χειροκίνητο καρότσι με ιμάντα.
- ▶ Ασφαλίστε το δοχείο αδράνειας έναντι πτώσης.

- ▶ Μεταφορά με χειροκίνητο καρότσι (→ εικόνα 5, σελίδα 101)
- ▶ Μεταφορά με γερανό (→ εικόνα 6, σελίδα 101)

5 Τοποθέτηση

5.1 Τοποθέτηση

5.1.1 Χώρος τοποθέτησης



ΕΙΔΟΠΟΙΗΣΗ: Υλικές ζημιές λόγω παγετού και διάβρωσης!

- ▶ Τοποθετήστε το δοχείο αδράνειας σε ξηρό και προστατευόμενο από τον παγετό χώρο.
- ▶ Χρησιμοποιείτε το δοχείο αδράνειας μόνο σε κλειστά συστήματα.
- ▶ Μην χρησιμοποιείτε ανοιχτά δοχεία διαστολής.

5.1.2 Τοποθέτηση δοχείου αδράνειας

→ Εικόνα 7, σελίδα 102 και εικόνα 8, σελίδα 102.

5.2 Υδραυλική σύνδεση

Σε δοχεία αδράνειας με θερμομόνωση 80 mm η εγκατάσταση σωλήνων πρέπει να τοποθετηθεί μετά τη θερμομόνωση.

Σε δοχεία αδράνειας με θερμομόνωση 120 mm συνιστούμε τη συναρμολόγηση της εγκατάστασης σωλήνων πριν την τοποθέτηση της μόνωσης.



ΚΙΝΔΥΝΟΣ: Κίνδυνος πυρκαγιάς λόγω εργασιών κόλλησης και συγκόλλησης!

- ▶ Εφόσον είναι εφικτό, εκτελέστε τις εργασίες κόλλησης και συγκόλλησης πριν από τη συναρμολόγηση της θερμομόνωσης.
- ▶ Κατά τις εργασίες κόλλησης και συγκόλλησης λάβετε κατάλληλα μέτρα προστασίας, καθώς η θερμομόνωση είναι εύφλεκτη (π.χ. σκεπάστε με κάλυμμα τη θερμομόνωση).
- ▶ Μετά από εργασίες ελέγχετε αν έχει υποστεί ζημιές η θερμομόνωση.



ΕΙΔΟΠΟΙΗΣΗ: Υλικές ζημιές λόγω μη στεγανών συνδέσεων και υπέρβασης των μέγιστων τιμών!

- ▶ Εγκαταστήστε τους αγωγούς σύνδεσης χωρίς τάση.
- ▶ Για να μην προκαλέσετε ζημιά στο δοχείο αδράνειας, τηρείτε τις μέγιστες τιμές (→ Πίνακας 52, σελίδα 46 και Πίνακας 54, σελίδα 46).

Για να αποφύγετε μελλοντικές ζημιές στο δοχείο αδράνειας:

- ▶ Χρησιμοποιείτε υλικό εγκατάστασης ανθεκτικό σε θερμοκρασία έως και 110 °C.
- ▶ Για τις συνδέσεις ηλιακού χρησιμοποιείτε υλικό εγκατάστασης ανθεκτικό σε θερμοκρασία έως και 135 °C.
- ▶ Για όλες τις βιδωτές συνδέσεις στο δοχείο, προβλέψτε βάνα φραγής.
- ▶ Στο χαμηλότερο σημείο της κάτω σύνδεσης συνδέστε μια βάνα εκκένωσης.

Έλεγχος στεγανότητας

→ Εικόνα 10, σελίδα 103.

5.3 Συναρμολόγηση αισθητήρων θερμοκρασίας

→ Εικόνα 9, σελίδα 102:

- ▶ Επαλείψτε τις επιφάνειες επαφής με θερμικά αγωγή κόλλα.

- ▶ Τοποθετήστε τον αισθητήρα θερμοκρασίας στη βάση του ελατηρίου ώστε η συνολική επιφάνεια επαφής του αισθητήρα θερμοκρασίας να εφάπτεται επίπεδα εξωτερικά στο δοχείο αποθήκευσης.



Φροντίστε ώστε η επιφάνεια του αισθητήρα να εφάπτεται σε όλο το μήκος της με την επιφάνεια του δοχείου.

- ▶ Προβλέψτε αντίστοιχη επιγραφή στα άκρα των καλωδίων του αισθητήρα θερμοκρασίας.
- ▶ Τοποθετήστε το καλώδιο αισθητήρα προσεκτικά προς τον πίνακα ελέγχου, ώστε να μπορεί να συναρμολογηθεί η μόνωση.

5.4 Τοποθέτηση θερμομόνωσης



Ιδανική θερμοκρασία για την τοποθέτηση της θερμομόνωσης είναι περ. 15 °C. Η ελαφρά ώθηση στη μόνωση προς την κατεύθυνση των άκρων σφράγισης διευκολύνει τη σύνδεση και των δύο άκρων.



Logalux PNR

Όταν χρησιμοποιείτε μια ηλεκτρική αντίσταση, η θερμομόνωση για τη σύνδεση της ηλεκτρικής αντίστασης και το κάλυμμα δεν απαιτούνται.

5.4.1 Τοποθέτηση θερμομόνωσης 80 mm

→ Εικόνα 11, σελίδα 103.

5.4.2 Τοποθέτηση θερμομόνωσης 120 mm



Συνιστούμε η εγκατάσταση και ο έλεγχος στεγανότητας να πραγματοποιούνται πριν τη συναρμολόγηση της θερμομόνωσης.

→ Εικόνα 12, σελίδα 103.

5.5 Τοποθέτηση κυαθίου εμβάπτισης (προαιρετικά)



Logalux PR

Στην πίσω πλευρά του δοχείου αδράνειας βρίσκεται η μούφα για την τοποθέτηση ενός κυαθίου εμβάπτισης στο χώρο εγκατάστασης. Εδώ μπορεί να τοποθετηθεί ένα κυάθιο εμβάπτισης για αισθητήρες θερμοκρασίας (→ εικόνα 9, σελίδα 102).

- ▶ Για τη μέτρηση και επιτήρηση της θερμοκρασίας ζεστού νερού χρήσης στο δοχείο αδράνειας τοποθετήστε τον αισθητήρα θερμοκρασίας στο σημείο μέτρησης.
- ▶ Εισάγετε τον αισθητήρα θερμοκρασίας με το ελατηριωτό άγκιστρο μέσα στο κυάθιο εμβάπτισης.

5.6 Ηλεκτρική σύνδεση



ΚΙΝΔΥΝΟΣ: Κίνδυνος θανάτου από ηλεκτροπληξία!

- ▶ Αναθέτετε τις ηλεκτρολογικές εργασίες μόνο σε έναν εξουσιοδοτημένο τεχνικό.
- ▶ Πριν από το άνοιγμα του πίνακα ελέγχου διακόψτε την ηλεκτρική παροχή της εγκατάστασης θέρμανσης με το διακόπτη έκτακτης ανάγκης και απομονώστε την από το ηλεκτρικό δίκτυο με την ασφάλεια του κτιρίου.
- ▶ Ασφαλίστε την εγκατάσταση θέρμανσης από ακούσια επανενεργοποίηση.

- ▶ Οδηγήστε τα καλώδια του αισθητήρα προς τον πίνακα ελέγχου.
- ▶ Συνδέστε ηλεκτρικά τα καλώδια του αισθητήρα – τηρώντας τις οδηγίες εγκατάστασης του πίνακα ελέγχου.

6 Έναρξη λειτουργίας



ΕΙΔΟΠΟΙΗΣΗ: Υλικές ζημιές λόγω εσφαλμένης ρύθμισης της πίεσης στην πλευρά του ζεστού νερού χρήσης!

- ▶ Τηρείτε τις επιτρεπόμενες μέγιστες τιμές (→ Πίνακας 52, σελίδα 46 και Πίνακας 54, σελίδα 46).

Η έναρξη λειτουργίας πρέπει να πραγματοποιηθεί από τον τεχνικό της εγκατάστασης θέρμανσης ή από κάποιον εξουσιοδοτημένο ειδικό.

- ▶ Ελέγξτε τη στεγανότητα όλων των συνδέσεων.
- ▶ Θέστε σε λειτουργία την εγκατάσταση θέρμανσης – τηρώντας τις οδηγίες εγκατάστασης και χειρισμού του πίνακα ελέγχου, των λεβήτων και της ηλιακής εγκατάστασης.

7 Τερματισμός λειτουργίας



ΚΙΝΔΥΝΟΣ: Κίνδυνος εγκαυμάτων λόγω καυτού νερού!

- ▶ Μετά τη θέση εκτός λειτουργίας αφήστε το δοχείο αδράνειας να κρυώσει επαρκώς.



ΕΙΔΟΠΟΙΗΣΗ: Ζημιές στο μπόιλερ λόγω παγετού!

- ▶ Εάν κατά την απουσία σας υπάρχει κίνδυνος παγετού, συνιστούμε να αφήσετε το δοχείο αδράνειας σε λειτουργία ή να το θέσετε εκτός λειτουργίας και να το αδειάσετε.

- ▶ Θέστε εκτός λειτουργίας την εγκατάσταση θέρμανσης – τηρώντας τις οδηγίες εγκατάστασης και χειρισμού του πίνακα ελέγχου, των καυστήρων και της ηλιακής εγκατάστασης.
- ▶ Ανοίξτε τη βαλβίδα εκκένωσης της εγκατάστασης.
- ▶ Για τον αερισμό ανοίξτε τον εξαερισμό.
- ▶ Αδειάστε πλήρως το δοχείο αδράνειας και αφήστε τον εσωτερικό χώρο να στεγνώσει.

8 Προστασία του περιβάλλοντος/απόρριψη

Η προστασία του περιβάλλοντος αποτελεί θεμελιώδη αρχή του ομίλου Bosch.

Η ποιότητα των προϊόντων, η αποδοτικότητα και η προστασία του περιβάλλοντος αποτελούν για εμάς στόχους ίδιας βαρύτητας. Οι νόμοι και οι κανονισμοί για την προστασία του περιβάλλοντος τηρούνται με αυστηρότητα. Για να προστατεύσουμε το περιβάλλον χρησιμοποιούμε τη βέλτιστη τεχνολογία και τα καλύτερα υλικά, λαμβάνοντας πάντα υπόψη μας τους παράγοντες για την καλύτερη αποδοτικότητα.

Συσκευασία

Για τη συσκευασία συμμετέχουμε στα εγχώρια συστήματα ανακύκλωσης που αποτελούν εγγύηση για βέλτιστη ανακύκλωση. Όλα τα υλικά συσκευασίας είναι φιλικά προς το περιβάλλον και ανακυκλώσιμα.

Παλαιά συσκευή

Οι παλιές συσκευές περιέχουν αξιοποιήσιμα υλικά, τα οποία θα πρέπει να διοχετευθούν για επαναχρησιμοποίηση.

Τα συγκροτήματα μπορούν εύκολα να διαχωριστούν και τα πλαστικά μέρη φέρουν σήμανση. Έτσι μπορούν να ταξινομηθούν σε κατηγορίες τα διάφορα συγκροτήματα και να διατεθούν για ανακύκλωση ή απόρριψη.

9 Συντήρηση

Εκτός από οπτικούς ελέγχους δεν απαιτούνται ειδικές εργασίες συντήρησης και καθαρισμού στα δοχεία αδράνειας.

- ▶ Ελέγχετε ετησίως την εξωτερική επιφάνεια όλων των συνδέσεων για διαρροές. Επικοινωνήστε με την εξουσιοδοτημένη τεχνική εταιρεία ή με το τμήμα εξυπηρέτησης πελατών και αναφέρετε τη βλάβη και τα στοιχεία του δοχείου.

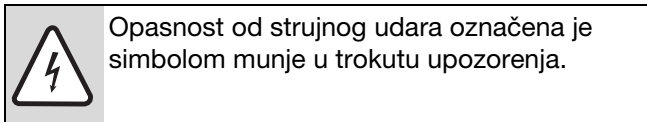
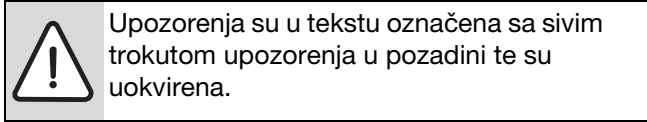
Sadržaj

1	Objašnjenje simbola i upute za sigurnost ..	51
1.1	Objašnjenje simbola	51
1.2	Upute za siguran rad	51
2	Podaci o uređaju	52
2.1	Opis proizvoda	52
2.2	Opseg isporuke	52
2.3	Pravilna uporaba	52
2.4	Alati, materijali i pomoćna sredstva	52
2.5	Tehnički podaci	52
2.5.1	Dimenzije i priključci međuspremnika Logalux PR52
2.5.2	Dimenzije i priključci solarnih međuspremnika Logalux PNR52
3	Propisi	53
4	Transport	53
5	Montaža	53
5.1	Postavljanje	53
5.1.1	Prostorija za postavljanje	53
5.1.2	Postavljanje međuspremnika	53
5.2	Hidraulični priključak	53
5.3	Montaža temperaturnog osjetnika	54
5.4	Montirajte toplinsku izolaciju.	54
5.4.1	Montirajte toplinsku izolaciju od 80 mm	54
5.4.2	Montirajte toplinsku izolaciju od 120 mm54
5.5	Montaža uronske čahure (opcionalno) .	54
5.6	Električni priključak	54
6	Stavljanje u pogon	55
7	Stavljanje izvan pogona	55
8	Zaštita okoliša/zbrinjavanje u otpad	55
9	Održavanje	55

1 Objašnjenje simbola i upute za sigurnost

1.1 Objašnjenje simbola

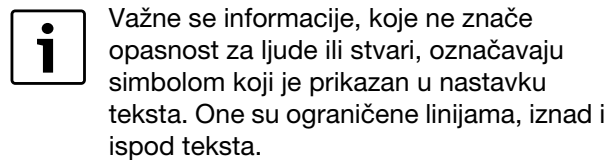
Upute upozorenja



Signalne riječi na početku sigurnosne napomene označavaju način i težinu posljedica koje prijete ukoliko se ne primjenjuju mjere za sprečavanje opasnosti.

- **NAPOMENA** znači da se mogu pojaviti materijalne štete.
- **OPREZ** znači da se mogu pojaviti manje do srednje ozljede.
- **UPOZORENJE** znači da se mogu pojaviti teške ozljede.
- **OPASNOST** znači da se mogu pojaviti štete nanesene na osobama koje su opasne za život.

Važne informacije



Daljnji simboli

Simbol	Značenje
▶	Korak radnje
→	Uputnica na druga mjesta u dokumentu ili na druge dokumente
•	Nabrajanje/Upis iz liste
–	Nabrajanje/Upis iz liste (2. razina)

tab. 57

Objašnjenje simbola slika od str. 99:



tab. 58 Objašnjenje simbola za slike

1.2 Upute za siguran rad

Postavljanje i preinaka

- ▶ **Opasnost od požara!** Lemljenje i zavarivanje može dovesti do požara, jer je toplinska izolacija zapaljiva.
- ▶ Postavljanje ili preinaku međuspremnik prepustiti samo ovlaštenom serviseru.

Djelovanje

- ▶ Pridržavajte se uputa za instalaciju i održavanje kako bi se omogućilo nesmetano funkcioniranje.
- ▶ **Opasnost od opekline!** Kada je međuspremnik u pogonu mogu nastati temperature iznad 60 °C.

Održavanje

- ▶ **Preporuka za klijenta:** Sklopite s ovlaštenim stručnim poduzećem ugovor o održavanju i inspekciji.
- ▶ Koristite samo originalne rezervne dijelove!

Upute korisnicima

- ▶ Informirajte korisnika o korištenju međuspremnik posebno ga uputite u sigurnosno-tehnička pitanja.
- ▶ Predajte korisniku na čuvanje uputa za instalaciju i održavanje instalacije grijanja.

2 Podaci o uređaju

2.1 Opis proizvoda

Međuspremnik se kompletno isporučuje. Montirajte toplinsku izolaciju i temperaturni osjetnik.

Postoje dvije različite vrste međuspremnika (→ sl. 4, str. 101).

- **Međuspremnik**
 - Logalux PR 500/750/1000-80
 - Logalux PR 500/750/1000-120
- **Solarni međuspremnik**
 - Logalux PNR 500/750/1000-80 E(W)
 - Logalux PNR 500/750/1000-120 E(W)

Obje vrste spremnika imaju 80 mm toplinsku izolaciju od meke pjene ili 120 mm toplinsku izolaciju od runa od poliestarskog vlakna.

Međuspremnik je izrađen od čelika i opskrbljen napajanjem s povratnim vodom koji je osjetljiv na temperaturu.

Povezivanje s umetkom dimnjaka koji nosi vodu ili kotlom za kruto gorivo moguće je preko priključaka za kotao i preko kruga grijanja.

Solarni međuspremnik Logalux PNR dodatno ima priključak za solarnu instalaciju grijanja i za električni grijaći umetak (→ sl. 4, str. 101).

2.2 Opseg isporuke

Međuspremnik općenito

- Posuda spremnika
- Tehnička dokumentacija
- Toplinska izolacija
- Poklopac spremnika
- Gornji i donji disk za toplinsku izolaciju
- Lim s oprugama za stezaljke za temperaturni osjetnik.

Međuspremnik s 80 mm toplinskom izolacijom

- Toplinska izolacija za priključak električnog grijaćeg umetka (samo PNR 500/750/1000-80 E(W))
- Rozete.

Međuspremnik s 120 mm toplinskom izolacijom

- Toplinska izolacija za priključak električnog grijaćeg umetka (samo PNR 500/750/1000-120 E(W))
- Zaklopke za zatvaranje.

2.3 Pravilna uporaba

Međuspremnici Logalux PR i solarni međuspremnici Logalux PNR su zbog svog velikog obujma namijenjeni upotrebi kao međuspremnici u potpori grijanja.

Međuspremnici smiju se puniti samo s ogrjevnom vodom i raditi samo u zatvorenim instalacijama grijanja.

Međuspremnici se za zagrijavanje pitke vode mogu indirektno koristiti preko stanice za pitku vodu.

2.4 Alati, materijali i pomoćna sredstva

Za prijevoz korisna su pogonska vozila, viličari ili dizalice.

Za montažu potrebni su vam standardni alati iz područja plinskih i vodovodnih instalacija.

2.5 Tehnički podaci

2.5.1 Dimenzije i priključci međuspremnika Logalux PR

Dozvoljene maksimalne vrijednosti Logalux PR500/750/1000		
Radni tlak	bar	3
Radna temperatura ogrjevne vode	°C	110

tab. 59 Dozvoljene maksimalne vrijednosti PR

Dimenzije i površinsko opterećenje		PR 500	PR 750	PR 1000
Prekretna mjera	mm	1780	1740	1740
Ukupna težina s punilom	kg	630	897	1176
Opterećenje po podnožju	kg	210	299	392

tab. 60 Tehnički podaci Logalux PR

2.5.2 Dimenzije i priključci solarnih međuspremnika Logalux PNR

Dozvoljene maksimalne vrijednosti Logalux PNR500/750/1000		
Radni tlak solarnog izmjenjivača topline ¹⁾	bar	8
Radni tlak ogrjevne vode	bar	3
Radna temperatura solarnog izmjenjivača topline	°C	160
Radna temperatura ogrjevne vode	°C	110

tab. 61 Dozvoljene maksimalne vrijednosti PNR

¹⁾ Ovisno integraciji u solarnu instalaciju grijanja, potrebno je pojedinačno osiguranje (sigurnosni ventil, ekspanzijska posuda).

Dimenzije i površinsko opterećenje		PNR 500	PNR 750	PNR 1000
Prekretna mjera	mm	1780	1790	2250
Ukupna težina s punilom	kg	655	933	1215
Opterećenje po podnožju	kg	219	311	405

tab. 62 Tehnički podaci Logalux PNR

Solarni izmjenjivač topline		PNR 500	PNR 750	PNR 1000
Površina	m ²	2,0	2,2	2,7
Sadržaj	l	17	18	23

tab. 63 Tehnički podaci Logalux PNR

3 Propisi

Međuspremnik instalirati i opremiti prema važećim normama i smjernicama.

Tehnička pravila za instaliranje međuspremnika (izbor) u Njemačkoj:

Instaliranje i opremanje instalacija grijanja i instalacija za zagrijavanje pitke vode

- DIN 4753, dio 1: Grijači vode i uređaji za zagrijavanje pitke i tehnološke vode; zahtjevi, označavanje, oprema i ispitivanje
- DIN 18 380: VOB¹⁾; instalacije grijanja i instalacije za centralno zagrijavanje tople vode
- DIN 18 381: VOB¹⁾; Radovi na instalacijama plina, vode i odvodnje unutar zgrada

Električni priključak

- DIN VDE0100: Postavljanje instalacija jake struje s nazivnim naponima do 1000 V
- VDE0190: Izjednačenje glavnog potencijala električnih instalacija
- DIN 18 382 VOB¹⁾: Električni kablovi i instalacije vodova u zgradama



Ovisno o mjestu postavljanja (npr. u različitim zemljama i regijama) mogu vrijediti dopunski ili neki drugi zahtjevi npr. zahtjevi za mrežnim priključkom).

- ▶ Pripaziti na propise koji vrijede u dotičnoj zemlji i regiji, na smjernice i norme (npr. opskrbljivač energijom) prilikom instalacije i pogona međuspremnika i elektro-grijućeg umetka.

1) VOB: Pravilnik o javnom nadmetanju za izgradnju – dio C: Opći tehnički ugovorni uvjeti za izgradnju (ATV)

4 Transport



OPASNOST: Životna opasnost od tereta u padu.

- ▶ Koristiti samo transportna uža, koja se nalaze u besprijekornom stanju.
- ▶ Kuke zahvatiti samo u predviđene ušice dizalice.



UPOZORENJE: Opasnost od ozljede zbog nošenja teškog tereta i od nestručnog osiguranja tokom transporta!

- ▶ Koristite prikladno transportno sredstvo, npr. kolica za vreće sa steznom trakom.
- ▶ Međuspremnik osigurajte od ispadanja.

- ▶ Transport sa kolicima za vreće (→ sl. 5, str. 101)
- ▶ Transport s dizalicom (→ sl. 6, str. 101)

5 Montaža

5.1 Postavljanje

5.1.1 Prostorija za postavljanje



NAPOMENA: Materijalne štete od smrzavanja i korozije!

- ▶ Međuspremnik postaviti u suhu prostoriju zaštićenu od mraza.
- ▶ Međuspremnik koristite samo u zatvorenim sustavima.
- ▶ Nemojte koristiti otvorene posude za proširenje.

5.1.2 Postavljanje međuspremnika

→ sl. 7, str. 102 i sl. 8, str. 102.

5.2 Hidraulični priključak

Kod međuspremnika s 80 mm toplinskom izolacijom se instalacija cijevi mora postaviti prema toplinskoj izolaciji.

Kod međuspremnika s 120 mm toplinskom izolacijom preporučamo montažu instalacije cijevi prije instalacije izolacije.



OPASNOST: Opasnost od požara zbog radova lemljenja i zavarivanja!

- ▶ Po mogućnosti izvesti lemljenje i zavarivanje prije montaže toplinske izolacije.
- ▶ Kod radova lemljenja i zavarivanja pripazite na zaštitne mjere jer je toplinska izolacija zapaljiva, npr. pokrijte toplinsku izolaciju.
- ▶ Nakon završetka radova ispitajte je li toplinska izolacija oštećena.



NAPOMENA: Materijalne štete poruzrokovane propusnim priključcima i prekoračenje maksimalnih vrijednosti!

- ▶ Priključne vodove instalirati bez napona.
- ▶ Kako se međuspremnik ne bi ošteti, pridržavajte se maksimalnih vrijednosti (→ tab. 59, str. 52 i tab. 61, str. 52).

Kako ne bi došlo do naknadnih oštećenja na međuspremniku:

- ▶ Koristiti onaj instalacijski materijal, koji je otporan da vrućinu do 110 °C.
- ▶ Za solarne priključke koristiti onaj instalacijski materijal, koji je otporan na vrućinu do 135 °C.
- ▶ Sve priključne vodove na spremniku izvesti kao vijčane spojeve, eventualno sa zapornim ventilom.
- ▶ Na najnižu točku donjeg priključka na mjestu montaže staviti slavinu za pražnjenje.

Ispitivanje nepropusnosti

→ sl. 10, str. 103.

5.3 Montaža temperaturnog osjetnika

→ sl. 9, str. 102:

- ▶ Kontaktne površine premazati toplinskom vodljivom pastom.
- ▶ Temperaturni osjetnik tako umetnuti u držač opruge da čitava kontaktna površina temperaturnog osjetnika s vanjske strane ravno naliže na posudu spremnika.



Pazite da površina temperaturnog osjetnika po čitavoj dužini ima kontakt s površinom plašta spremnika.

- ▶ Vodove temperaturnog osjetnika na kraju kabela odgovarajuće označiti.
- ▶ Uredno postavite vod senzora prema regulacijskom uređaju kako bi se mogla instalirati izolacija.

5.4 Montirajte toplinsku izolaciju.



Toplinska izolacija može se pri cca. 15 °C optimalno montirati. Lakšim udaranjem po toplinskoj izolaciji, u smjeru oba kraja zatvaranja, olakšava se približavanje krajeva jastuka.



Logalux PNR

Ako koristite električni grijaći umetak, nije potrebna toplinska izolacija i pokrivač za priključak električnog grijaćeg umetka.

5.4.1 Montirajte toplinsku izolaciju od 80 mm

→ sl. 11, str. 103.

5.4.2 Montirajte toplinsku izolaciju od 120 mm



Instalaciju i ispitivanje nepropusnosti preporučamo prije montaže toplinske izolacije.

→ sl. 12, str. 103.

5.5 Montaža uronske čahure (opciono)



Logalux PR

Na stražnjoj strani međuspremnika nalazi se nazuvica za brtvljenje na mjestu montaže uronske čahure. Ovdje je moguće instalirati uronsku čahuru za temperaturni osjetnik (→ sl. 9, str. 102).

- ▶ Za mjerenje i nadzor temperature tople vode treba na međuspremniku montirati temperaturni osjetnik na mjernom mjestu.
- ▶ Uvesti temperaturni osjetnik sa steznom oprugom u uronsku čahuru.

5.6 Električni priključak



OPASNOST: Opasnost po život od udara električne struje!

- ▶ Osigurajte se da isključivo autorizirani stručni serviser vrši električne radove.
- ▶ Prije otvaranja regulacijskog uređaja isključiti sa električnog napajanja i preko odgovarajućeg kućnog osigurača isključiti sa električne mreže.
- ▶ Osigurajte instalaciju grijanja od nehotičnog ponovnog uključivanja.

- ▶ Vodove osjetnika uvesti u regulacijski uređaj.
- ▶ Vodove osjetnika priključiti električki – pri tome se pridržavajte uputa regulacijskog uređaja.

6 Stavljanje u pogon



NAPOMENA: Materijalna šteta zbog pogrešno postavljenog tlaka na strani ogrjevne vode!

- ▶ Pridržavati se dozvoljenih maksimalnih vrijednosti (→ tab. 59, str. 52 i tab. 61, str. 52).

Stavljanje u pogon mora obaviti izvođač instalacije grijanja ili ovlaštenu stručnjak.

- ▶ Sve priključke treba ispitati na nepropusnost.
- ▶ Instalaciju grijanja staviti u pogon – , pri tome pridržavati se uputa za instalaciju i rukovanje regulacijskog uređaja, proizvođača topline i solarne instalacije grijanja.

7 Stavljanje izvan pogona



OPASNOST: Opasnost od opekline vrućom vodom!

- ▶ Međuspremnik nakon stavljanja izvan pogona dovoljno ohladiti.



NAPOMENA: Štete na spremniku zbog pojave mraza!

Ako tijekom vaše odsutnosti prijete opasnost od mraza, preporučamo da međuspremnik ostavite u pogonu ili prazan izvan pogona.

- ▶ Instalaciju grijanja staviti izvan pogona – , pri tome pridržavati se uputa za instalaciju i rukovanje regulacijskog uređaja, proizvođača topline i solarne instalacije grijanja.
- ▶ Otvoriti ventil za pražnjenje postrojenja.
- ▶ Otvoriti za ventilaciju i odzračivanje.
- ▶ Međuspremnik u cijelosti isprazniti i unutarnji prostor osušiti.

8 Zaštita okoliša/ zbrinjavanje u otpad

Zaštita okoliša je osnovno načelo poslovanja tvrtke Bosch Gruppe.

Kvaliteta proizvoda, ekonomičnost i zaštita okoliša nama predstavljaju jednakovrijedne ciljeve. Potrebno je striktno se pridržavati zakona i propisa o zaštiti okoliša. U svrhu zaštite okoliša te poštivajući ekonomska načela koristimo samo najbolju tehniku i materijale.

Ambalaža

Kod ambalažiranja držimo se sustava recikliranja koji su specifični za određene države te koje osiguravaju optimalnu reciklažu. Svi korišteni materijali za ambalažu ne štete okolini i mogu se reciklirati.

Stari uređaj

Stari uređaji sadrže resurse koji se mogu ponovno upotrijebiti.

Konstruktivske skupine se mogu lako odvojiti, a plastični su dijelovi označeni. Na taj se način različite konstruktivske skupine mogu sortirati i odvesti na recikliranje odnosno zbrinjavanje.

9 Održavanje

Kod međuspremnika osim nasumičnih kontrola nisu potrebni posebni radovi održavanja ili čišćenja.

- ▶ Priključke svake godine provjerite na njihovu propusnost. Pozovite ovlaštenu servisnu službu i prijavite im smetnju kao i podatke o uređaju.

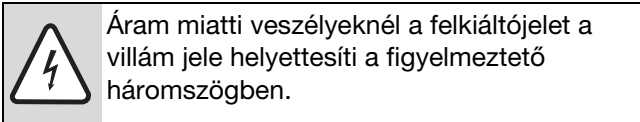
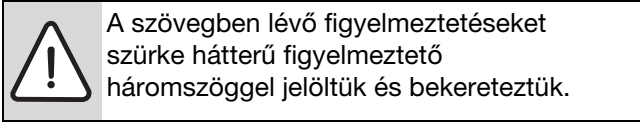
Tartalomjegyzék

1	A szimbólumok magyarázata és biztonsági utasítások	57
1.1	Szimbólumok magyarázata	57
1.2	Biztonsági utasítások	57
2	A készülékre vonatkozó adatok	58
2.1	Termékismertetés	58
2.2	Szállítási terjedelem	58
2.3	Rendeltetésszerű használat	58
2.4	Szerszámok, anyagok és segédeszközök	58
2.5	Műszaki adatok	58
2.5.1	A Logalux PR puffertároló méretei és csatlakozói	58
2.5.2	A Logalux PNR szolár puffertároló méretei és csatlakozói	58
3	Előírások	59
4	Szállítás	59
5	Szerelés	59
5.1	Felállítás	59
5.1.1	Felállítási helyiség	59
5.1.2	A puffertároló felállítása	59
5.2	Hidraulikus csatlakozás	59
5.3	Hőmérséklet érzékelők beszerelése	60
5.4	Hőszigetelés szerelése	60
5.4.1	A 80 mm-es hőszigetelés felszerelése	60
5.4.2	A 120 mm-es hőszigetelés felszerelése	60
5.5	A merülőhüvellyel beszerelése (opcionális)	60
5.6	Elektromos csatlakozás	60
6	Üzembe helyezés	61
7	Üzemen kívül helyezés	61
8	Környezetvédelem/megsemmisítés	61
9	Karbantartás	61

1 A szimbólumok magyarázata és biztonsági utasítások

1.1 Szimbólumok magyarázata

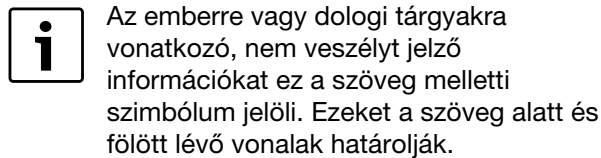
Figyelmeztetések



A figyelmeztető tudnivaló előtti jelzőszavak a következmények fajtáját és súlyosságát jelölik, ha a veszély elhárítására vonatkozó intézkedések nem történnek meg.

- **ÉRTESÍTÉS** azt jelenti, hogy anyagi károk keletkezhetnek.
- **VIGYÁZAT** azt jelenti, hogy könnyű vagy közepesen súlyos személyi sérülések történhetnek.
- **FIGYELMEZTETÉS** azt jelenti, hogy súlyos személyi sérülések történhetnek.
- **VESZÉLY** azt jelenti, hogy életveszélyes személyi sérülések történhetnek.

Fontos információk

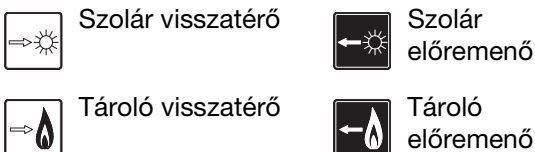


További szimbólumok

Szimbólum	Jelentés
▶	Teendő
→	Kereszthivatkozás a dokumentum más helyeire vagy más dokumentumokra
•	Felsorolás/listabejegyzés
–	Felsorolás/listabejegyzés (2. Szint)

64. tábl.

A képek szimbólumainak magyarázata a 99. oldaltól kezdve:



65. tábl. Szimbólum-magyarázat a képekhez

1.2 Biztonsági utasítások

Felállítás és átszerelés

- ▶ **Tűzveszély!** A forrasztási és hegesztési munkák tüzet okozhatnak, mert a hőszigetelés éghető anyagból készült.
- ▶ A puffertárolót csak arra feljogosított szakcég állíthatja fel vagy telepítheti át.

Működés

- ▶ Tartsa be ezt a szerelési és karbantartási utasítást, hogy biztosítható legyen a zavarmentes működés.
- ▶ **Leforrzás veszély!** A puffertároló üzemeltetése közben 60 °C fölötti hőmérséklet is felléphet.

Karbantartás

- ▶ **Javaslat az ügyfélnek:** kössön karbantartási és ellenőrzési szerződést egy engedélyezett szakszervízzel.
- ▶ Csak eredeti alkatrészeket használjon!

A vevő tájékoztatása

- ▶ Tájékoztassa az üzemeltetőt a puffertároló használatáról és külön hívja fel a figyelmet a biztonságtechnikai pontokra.
- ▶ Adja át a fűtési rendszer melletti megőrzésre az üzemeltetőnek a szerelési és karbantartási utasítást.

2 A készülékre vonatkozó adatok

2.1 Termékismertetés

A puffertároló készre szerelt állapotban kerül kiszállításra. A hőszigetelést és a hőmérséklet érzékelőket fel, ill. be kell szerelni.

Két különböző fajtájú puffertároló létezik (→ 4. ábra, 101. oldal).

- **Puffertároló**
 - Logalux PR 500/750/1000-80
 - Logalux PR 500/750/1000-120
- **Szolár puffertároló**
 - Logalux PNR 500/750/1000-80 E(W)
 - Logalux PNR 500/750/1000-120 E(W)

Mindkét tárolófajta 80 mm PU-lágyhab hőszigeteléssel vagy 120 mm poliészterszálal hőszigeteléssel kapható.

A puffertároló acélból készül és hőmérséklet-érzékeny visszatérő oldali betáplálással működik.

Vizes kazánbetét vagy szilárdtüzelésű kazán bekötése a kazánhoz és a fűtőkörökhöz tatózó csatlakozókon keresztül lehetséges.

A Logalux PNR szolár puffertároló ezen kívül szolárberendezés és elektromos fűtőbetét számára is rendelkezik csatlakozóval (→ 4. ábra, 101. oldal).

2.2 Szállítási terjedelem

A puffertároló általában

- Tárolótartály
- Műszaki dokumentumok
- Hőszigetelés
- Tároló burkolat
- Felső és alsó hőszigetelő lap
- Rugós rögzítőlemezek hőmérséklet érzékelőkhöz

Puffertároló 80 mm hőszigeteléssel

- Hőszigetelés az elektromos fűtőbetét csatlakozója számára (csak PNR 500/750/1000-80 E(W))
- Csőrózsák.

Puffertároló 120 mm hőszigeteléssel

- Hőszigetelés az elektromos fűtőbetét csatlakozója számára (csak PNR 500/750/1000-120 E(W))
- Lezárólemezek.

2.3 Rendeltetés szerű használat

A Logalux PR puffertárolók és a Logalux PNR szolár puffertárolók nagy térfogatuk révén alkalmasak fűtésrészegítéshez használható puffertárolónak.

A puffertárolókat csak fűtővízzel feltöltve és csak zárt rendszerű fűtési rendszerekben szabad üzemeltetni.

A puffertárolók indirekt módon, frissvíz-állomáson keresztül ivóvíz felmelegítésére használhatók.

2.4 Szerszámok, anyagok és segédeszközök

Szállításhoz emelőkocsit, villástargoncát vagy darut célszerű használni.

Szereléshez a gáz- és vízszelvény területén alkalmazott alapvető szerszámokra van szükség.

2.5 Műszaki adatok

2.5.1 A Logalux PR puffertároló méretei és csatlakozói

Megengedett maximális értékek Logalux PR500/750/1000 esetén		
Üzemi nyomás	bar	3
Fűtővíz üzemi hőmérséklete	°C	110

66. tábl. A PR megengedett maximális értékei

Méretek és felületterhelés		PR 500	PR 750	PR 1000
Billentési méret	mm	1780	1740	1740
Összsúly feltöltve	kg	630	897	1176
Súlyterhelés lábanként	kg	210	299	392

67. tábl. A Logalux PR műszaki adatai

2.5.2 A Logalux PNR szolár puffertároló méretei és csatlakozói

Megengedett maximális értékek Logalux PNR500/750/1000 esetén		
A szolár hőcserélő üzemi nyomása ¹⁾	bar	8
Fűtővíz üzemi nyomása	bar	3
Szolár hőcserélő üzemi hőmérséklete	°C	160
Fűtővíz üzemi hőmérséklete	°C	110

68. tábl. A PNR megengedett maximális értékei

1) A szolár rendszerbe történő bekötéstől függően különálló biztosítás (biztonsági szelep, túgulási tartály) szükséges.

Méretek és felületterhelés		PNR 500	PNR 750	PNR 1000
Billentési méret	mm	1780	1790	2250
Összsúly feltöltve	kg	655	933	1215
Súlyterhelés lábanként	kg	219	311	405

69. tábl. A Logalux PNR műszaki adatai

Szolár hőcserélő		PNR 500	PNR 750	PNR 1000
Felület	m ²	2,0	2,2	2,7
Úrtartalom	l	17	18	23

70. tábl. A Logalux PNR műszaki adatai

3 Előírások

A puffertárolót az adott országban érvényes szabványok és irányelvek szerint szerelje, illetve ennek megfelelően végezze a kivitelezést.

A puffertárolók szerelésére vonatkozó németországi műszaki szabályok:

Fűtő és használati melegvíz termelő berendezések telepítése és felszerelése

- DIN 4753, 1 fejezet: Vízmelegítők, melegvíz termelő rendszerek ivó- és ipari vízre, követelmények, jelölések, szerelvények és ellenőrzés.
- DIN 18 380: VOB¹⁾ Fűtőberendezések és központi melegvíz termelő berendezések
- DIN 18 381: VOB¹⁾; Épületeken belüli gáz-, víz-, és szennyvízszelési munkák.

Elektromos csatlakozás

- DIN VDE0100: Erősáramú berendezések kialakítása 1000 V névleges feszültség értékig
- VDE0190: Elektromos berendezések főpotenciál kiegyenlítése
- DIN 18 382 VOB¹⁾: Épületek elektromos kábel- és vezetékrendszerei

1) VOB: Építőipari szolgáltatásokra vonatkozó rendelet - C rész: építőipari szolgáltatások általános műszaki szerződési feltételei (ATV);



A felállítás helyétől függően (pl. a különböző országokban vagy régiókban) érvényben lehetnek kiegészítő vagy más követelmények is (pl. hálózati csatlakoztatási követelmények).

- ▶ A melegvíz tároló és az elektromos fűtőbetét szerelésekor és üzemeltetésekor figyelembe kell venni az országra vagy a régióra vonatkozó előírásokat, irányelveket és szabványokat (pl. az áramszolgáltatót).

4 Szállítás



VESZÉLY: Életveszély a leeső teher miatt!

- ▶ Csak olyan szállítókötelet alkalmazzon, melyek kifogástalan állapotban vannak.
- ▶ A horgokat csak az arra szolgáló daruszemekbe akassza be.



FIGYELMEZTETÉS: A nehéz terhek kézzel történő mozgatása és a szállítás közbeni szakszerűtlen biztosítás miatt sérülésveszély áll fenn!

- ▶ Használjon megfelelő szállítóeszközöket, például rögzítőhevederrel ellátott zsákolókocsit.
- ▶ Biztosítsa a puffertárolót leesés ellen.

- ▶ Szállítás molnárkocsival (→ 5. ábra, 101. oldal)
- ▶ Szállítás daruval (→ 6. ábra, 101. oldal)

5 Szerelés

5.1 Felállítás

5.1.1 Felállítási helyiség



ÉRTESÍTÉS: Anyagi károk fagy és korrózió miatt!

- ▶ A puffertárolót fagymentes és száraz helyiségben kell felállítani.
- ▶ Csak zárt rendszerekben használja a puffertárolót.
- ▶ Ne használjon nyitott tágulási tartályokat.

5.1.2 A puffertároló felállítása

→ 7. ábra, 102. oldal 8. ábra, 102. oldal.

5.2 Hidraulikus csatlakozás

80 mm hőszigeteléssel rendelkező puffertárolóknál a csőszerelést a hőszigetelés felszerelése után kell elvégezni.

A 120 mm hőszigeteléssel rendelkező puffertárolóknál azt javasoljuk, hogy a csőszerelést a szigetelés felszerelése előtt végezze el.



VESZÉLY: Tűzveszély a forrasztási és hegesztési munkák végzésekor!

- ▶ Ha lehetséges, akkor a forrasztási és hegesztési munkákat a hőszigetelés felszerelése előtt végezze el.
- ▶ A forrasztási és hegesztési munkák végzésekor óvintézkedésekre van szükség, mert a hőszigetelés éghető anyagból készült (pl. le kell takarni a hőszigetelést).
- ▶ A munka elvégzése után ellenőrizze a hőszigetelés épségét.



ÉRTESÍTÉS: Anyagi károk tömítetlen csatlakozók és a maximális értékek túllépése miatt!

- ▶ A csatlakozó vezetékeket feszülésmentesen szerelje be.
- ▶ A puffertároló megsérülésének elkerülése érdekében tartsa be a maximális értékeket (→ 66. tábl., 58. oldal és 68. tábl., 58. oldal).

A puffertároló későbbi sérüléseinek elkerülése érdekében:

- ▶ Olyan szerelési anyagokat használjon, amelyek 110 °C-ig hőállóak.
- ▶ A szolár csatlakozókhoz olyan szerelési anyagokat használjon, amelyek 135 °C-ig hőállóak.
- ▶ A tároló csatlakozó vezetékeit menetes kötésekkel, szükség esetén elzáró szeleppel kivitelezze.
- ▶ Az alsó csatlakozó legmélyebb pontján kivitelezéskor szereljen be egy leeresztőcsapot.

A tömítettség ellenőrzése

→ 10. ábra, 103. oldal.

5.3 Hőmérséklet érzékelők beszerelése

→ 9. ábra, 102. oldal

- ▶ Kenje be az érintkező felületeket hővezető pasztával.
- ▶ Helyezze bele a hőmérséklet érzékelőt a rugós tartóba úgy, hogy a hőmérséklet érzékelő teljes felülete felfeküdjön a tárolótartály külsejére.



Ügyeljen arra, hogy az érzékelő felülete a teljes hossza mentén érintkezésben legyen a tároló köpenyének felületével.

- ▶ A kábelek végén lássa el megfelelő felirattal a hőmérséklet érzékelő vezetékeit.
- ▶ Vezesse gondosan az érzékelők vezetékeit a szabályozókészülékhez úgy, hogy a szigetelés felszerelhető legyen.

5.4 Hőszigetelés szerelése



A hőszigetelés optimálisan kb. 15 °C-on szerelhető fel. A hőszigetelő lezáró végei felé végzett enyhe ütögetés megkönnyíti a végek összeillesztését.



Logalux PNR

Ha elektromos fűtőbetétet használ, akkor, az elektromos fűtőbetétéhez való hőszigetelésre és a takarólemezre nincs szükség.

5.4.1 A 80 mm-es hőszigetelés felszerelése

→ 11. ábra, 103. oldal.

5.4.2 A 120 mm-es hőszigetelés felszerelése



Azt javasoljuk, hogy a telepítést és a tömörségvizsgálatot a hőszigetelés felszerelése előtt végezze el.

→ 12. ábra, 103. oldal.

5.5 A merülőhüvely beszerelése (opcionális)



Logalux PR

A puffertároló hátoldalán lévő karmantyú egy merülőhüvely kivitelezéskor történő tömített beépítésére szolgál. Ide hőmérséklet érzékelőhöz való merülőhüvely építhető be (→ 9. ábra, 102. oldal).

- ▶ A puffertároló melegvíz hőmérsékletének méréséhez és felügyeletéhez szereljen fel egy melegvíz hőmérséklet érzékelőt a mérőhelyen.
- ▶ Vezesse be a hőmérséklet érzékelőt a rögzítőrugóval együtt a merülőhüvelybe.

5.6 Elektromos csatlakozás



VESZÉLY: Életveszély elektromos áram miatt!

- ▶ Gondoskodjon arról, hogy kizárólag feljogosított szerelő végezzen villanszerelési munkákat.
- ▶ A szabályozókészülék kinyitása előtt a fűtési vézskapcsolóval áramtalanítsa a fűtési rendszert és az épület (lakás) megfelelő biztosítékával válassza le azt az elektromos hálózatról.
- ▶ Biztosítsa a fűtési rendszert a véletlen visszakapcsolás ellen.

- ▶ Vezesse az érzékelő-vezetékeket a szabályozókészülékhez.
- ▶ Csatlakoztassa elektromosan az érzékelő-vezetékeket, – közben vegye figyelembe a szabályozókészülék szerelési utasítását.

6 Üzembe helyezés



ÉRTESÍTÉS: Anyagi károk a helytelenül beállított fűtővízoldali nyomás miatt!

- ▶ Ügyeljen a megengedett maximális értékekre (→ 66. tábl., 58. oldal és 68. tábl., 58. oldal).

Az üzembe helyezést a fűtőberendezés gyártójának vagy egy megbízott szakembernek kell elvégeznie.

- ▶ Ellenőrizze a csatlakozások tömítettségét.
- ▶ Helyezze üzembe a fűtési rendszert, – közben vegye figyelembe a szabályozókészülék, a hőtermelők és a szolárberendezés szerelési és kezelési utasítását.

7 Üzemen kívül helyezés



VESZÉLY: Leforrázás veszélye forró víz miatt!

- ▶ Üzemen kívül helyezés után hagyja megfelelő mértékben lehűlni a puffertárolót.



ÉRTESÍTÉS: Tároló károsodás a fagy miatt!

Ha távolléte alatt fagyveszély áll fenn, javasoljuk, hogy hagyja a puffertárolót üzemen vagy helyezze üzemen kívül és ürítse le.

- ▶ Helyezze üzemen kívül a fűtési rendszert, – közben vegye figyelembe a szabályozókészülék, a hőtermelők és a szolárberendezés szerelési és kezelési utasítását.
- ▶ Nyissa ki a berendezés ürítőszelepét.
- ▶ A levegő behatolása érdekében nyissa ki a légtelenítőt.
- ▶ Teljesen ürítse le a puffertárolót és szárítsa ki a belső terét.

8 Környezetvédelem/ megsemmisítés

A környezetvédelem a Bosch csoport vállalati alapelvét képezi.

A termékek minősége, a gazdaságosság és a környezetvédelem számunkra egyenrangú célt képez. A környezetvédelmi törvények és előírások szigorúan betartásra kerülnek. A környezet védelmére a gazdasági szempontokat figyelembe véve a lehető legjobb technikát és anyagokat alkalmazzuk.

Csomagolás

A csomagolásnál részesei vagyunk az országspecifikus értékesítési rendszereknek, amelyek optimális újrafelhasználást biztosítanak. Minden általunk használt csomagoló anyag környezetbarát és újrahasznosítható.

Régi készülék

A régi készülékek újra felhasználható anyagokat tartalmaznak.

A szerkezet csoportokat könnyen szét lehet válogatni és a műanyagok megjelölést kaptak. Így a különböző szerkezeti csoportok osztályozhatók és az egyes csoportok újrafelhasználásra továbbbíthatók, ill. megsemmisíthetők.

9 Karbantartás

A puffertárolóknál a szemrevételezéseken kívül semmilyen külön karbantartási vagy tisztítási munkára nincs szükség.

- ▶ Ellenőrizzen évente kívülről minden csatlakozót szivárgás szempontjából.
Hívja fel az engedélyezett szakszervizt vagy a vevőszolgálatot, és közölje a zavart, valamint a készülék adatait.

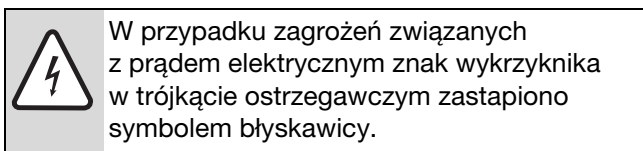
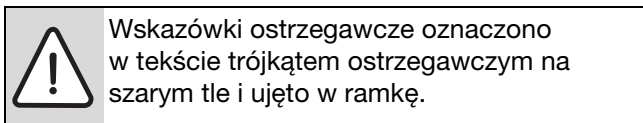
Spis treści

1	Objaśnienie symboli i wskazówki dotyczące bezpieczeństwa	63
1.1	Objaśnienie symboli	63
1.2	Wskazówki dotyczące bezpieczeństwa	63
2	Informacja o produkcie	64
2.1	Opis produktu	64
2.2	Zakres dostawy	64
2.3	Zastosowanie zgodnie z przeznaczeniem	64
2.4	Narzędzia, materiały i środki pomocnicze	64
2.5	Dane techniczne	64
2.5.1	Wymiary i przyłącza zasobnika buforowego Logalux PR	64
2.5.2	Wymiary i przyłącza zasobnika buforowego solarnego Logalux PR	64
3	Przepisy	65
4	Transport	65
5	Montaż	65
5.1	Zainstalowanie	65
5.1.1	Pomieszczenie zainstalowania	65
5.1.2	Ustawienie zasobnika buforowego	66
5.2	Podłączenie hydrauliczne	66
5.3	Montaż czujnika temperatury	66
5.4	Montaż izolacji termicznej	66
5.4.1	Montaż izolacji termicznej o grubości 80 mm	66
5.4.2	Montaż izolacji termicznej o grubości 120 mm	66
5.5	Montaż tulei zanurzeniowej (opcja)	66
5.6	Podłączenie elektryczne	67
6	Uruchomienie	67
7	Wyłączenie z ruchu	67
8	Ochrona środowiska/utylicacja	67
9	Konserwacja	67

1 Objąśnienie symboli i wskazówki dotyczące bezpieczeństwa

1.1 Objąśnienie symboli

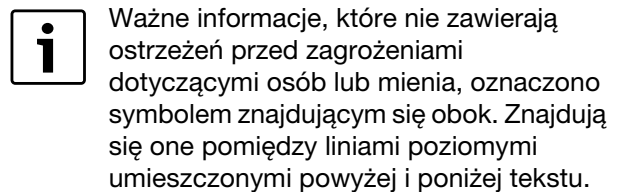
Wskazówki ostrzegawcze



Słowa umieszczane na początku wskazówki ostrzegawczej informują o rodzaju i ciężarze gatunkowym następstw zaniechania działań zmierzających do uniknięcia zagrożenia.

- **WSKAZÓWKA** oznacza możliwość wystąpienia szkód materialnych.
- **OSTROŻNIE** oznacza możliwość wystąpienia obrażeń ciała, od stopnia lekkiego do średniego.
- **OSTRZEŻENIE** oznacza możliwość wystąpienia ciężkich obrażeń ciała.
- **NIEBEZPIECZEŃSTWO** oznacza możliwość wystąpienia obrażeń ciała zagrażających życiu.

Ważne informacje



Inne symbole

Symbol	Znaczenie
▶	Czynność
→	Odsyłacz do innych fragmentów dokumentu bądź innych dokumentów.
•	Pozycja/wpis na liście
–	Pozycja/wpis na liście (2. poziom)

Tab. 71

Objąśnienie symboli stosowanych na ilustracjach od strony 99:



Powrót obiegu słonecznego



Zasilanie obiegu słonecznego



Powrót bufora



Zasilanie bufora

Tab. 72 Objąśnienie symboli stosowanych na ilustracjach

1.2 Wskazówki dotyczące bezpieczeństwa

Ustawienie i przebudowa

- ▶ **Niebezpieczeństwo pożaru!** Prace lutownicze i spawalnicze mogą doprowadzić do powstania pożaru, ponieważ izolacja termiczna jest wykonana z materiałów łatwopalnych.
- ▶ Ustawienie lub przebudowę zasobnika buforowego należy zlecić wyłącznie firmie instalacyjnej, uprawnionej do wykonywania tego typu prac.

Działanie

- ▶ Aby zagwarantować prawidłowe działanie urządzenia, należy przestrzegać wskazówek zawartych w niniejszej instrukcji montażu i konserwacji.
- ▶ **Niebezpieczeństwo oparzenia się!** Podczas pracy zasobnika buforowego mogą występować temperatury powyżej 60 °C.

Konserwacja

- ▶ **Zalecenie dla klienta:** Należy zawrzeć umowę na przeglądy i konserwację z uprawnioną firmą instalacyjną.
- ▶ Stosować wyłącznie oryginalne części zamienne!

Pouczenie klienta

- ▶ Udzielić użytkownikowi informacji na temat użytkowania zasobnika buforowego, kładąc szczególny nacisk na kwestie dotyczące techniki bezpieczeństwa.
- ▶ Przekazać użytkownikowi instrukcję montażu i konserwacji i polecić, aby przechowywał ją tuż przy instalacji ogrzewczej.

2 Informacja o produkcie

2.1 Opis produktu

Zasobnik buforowy (bufor) jest dostarczany w całości. Trzeba jednak zamontować izolację termiczną i czujniki temperatury.

Istnieją dwa różne rodzaje zasobników buforowych (→ rys.4, str. 101).

- **Zasobnik buforowy**
 - Logalux PR 500/750/1000-80
 - Logalux PR 500/750/1000-120
- **Zasobnik buforowy solarny**
 - Logalux PNR 500/750/1000-80 E(W)
 - Logalux PNR 500/750/1000-120 E(W)

Oba typy zasobników są dostępne w wersji wyposażonej w izolację termiczną z miękkiej pianki poliuretanowej o grubości 80 mm lub z włókniny poliestrowej o grubości 120 mm.

Zasobnik buforowy jest wykonany ze stali i wyposażony w układ zasilania obiegu powrotnego, charakteryzujący się wrażliwością na zmiany temperatury.

Wpięcie do układu wkładu kominkowego z płaszczem wodnym lub kotła na paliwo stałe można dokonać przy użyciu przyłącza dla kotła grzewczego i przyłącza obiegu grzewczego.

Zasobnik buforowy solarny Logalux PNR wyposażono dodatkowo w przyłącze instalacji słonecznej i grzałki elektrycznej (elektryczny wkład grzejny) (→ rys. 4, str. 101).

2.2 Zakres dostawy

Wszystkie zasobniki buforowe

- Zbiornik bufora
- Dokumentacja techniczna
- Izolacja termiczna
- Pokrywa zasobnika
- Górna i dolna tarcza izolacji termicznej
- Blaszane zaciski sprężynowe do zamontowania czujnika temperatury.

Zasobnik buforowy z izolacją termiczną o grubości 80 mm

- Izolacja termiczna dla przyłącza grzałki elektrycznej (tylko PNR 500/750/1000-80 E(W))
- Rozety.

Zasobnik buforowy z izolacją termiczną o grubości 120 mm

- Izolacja termiczna przyłącza elektrycznego wkładu grzejjego (tylko PNR 500/750/1000-120 E(W))
- Elementy zaślepiające

2.3 Zastosowanie zgodnie z przeznaczeniem

Zasobniki buforowe Logalux PR i zasobnik buforowy solarny Logalux PNR, z uwagi na dużą pojemność, są przeznaczone do stosowania w charakterze zasobników buforowych w układach wspomagania ogrzewania.

Zasobniki buforowe mogą być napełniane wyłącznie wodą grzewczą i mogą pracować wyłącznie w zamkniętych instalacjach grzewczych.

Możliwe jest także wykorzystanie zasobników buforowych do podgrzewania wody użytkowej za pośrednictwem higienicznej stacji wody.

2.4 Narzędzia, materiały i środki pomocnicze

Do przemieszczania urządzenia wskazane jest użycie wózka podnośnego, wózka widłowego lub żurawia.

Do montażu zasobnika są wymagane standardowe narzędzia, używane przez monterów instalacji wodnych i gazowych.

2.5 Dane techniczne

2.5.1 Wymiary i przyłącza zasobnika buforowego Logalux PR

Dopuszczalne wartości maksymalne Logalux PR500/750/1000		
Ciśnienie robocze	bar	3
Temperatura robocza wody grzewczej	°C	110

Tab. 73 Dopuszczalne wartości maksymalne PR

Wymiary i obciążenie powierzchniowe		PR 500	PR 750	PR 1000
Wymiar po przekątnej (po przechyleniu)	mm	1780	1740	1740
Ciężar całkowity po napełnieniu	kg	630	897	1176
Obciążenie jednostkowe nóżek	kg	210	299	392

Tab. 74 Dane techniczne Logalux PR

2.5.2 Wymiary i przyłącza zasobnika buforowego solarnego Logalux PR

Dopuszczalne wartości maksymalne Logalux PNR500/750/1000		
Ciśnienie robocze solarnego wymiennika ciepła ¹⁾	bar	8
Ciśnienie robocze wody grzewczej	bar	3
Temperatura robocza solarnego wymiennika ciepła	°C	160
Temperatura robocza wody grzewczej	°C	110

Tab. 75 Dopuszczalne wartości maksymalne PNR

1) W zależności od sposobu wpięcia do instalacji słonecznej jest wymagane zastosowanie zabezpieczenia indywidualnego (zaworu bezpieczeństwa, naczynia wzbiorczego).

Wymiary i obciążenie powierzchniowe		PNR 500	PNR 750	PNR 1000
Wymiary po przekątnej (po przechyleniu)	mm	1780	1790	2250
Ciężar całkowity po napełnieniu	kg	655	933	1215
Obciążenie jednostkowe nóżek	kg	219	311	405

Tab. 76 Dane techniczne Logalux PNR

Solarny wymiennik ciepła		PNR 500	PNR 750	PNR 1000
Powierzchnia	m ²	2,0	2,2	2,7
Pojemność	l	17	18	23

Tab. 77 Dane techniczne Logalux PNR

3 Przepisy

Zasobnik buforowy należy zainstalować i wyposażyć zgodnie z normami i przepisami obowiązującymi w danym kraju.

Zasady techniczne montażu zasobników buforowych w Niemczech (wybór).

Montaż i wyposażenie urządzeń grzewczych i urządzeń podgrzewających wodę użytkową

- DIN 4753, część 1: Podgrzewacze c.w.u i instalacje do podgrzewania wody użytkowej i przemysłowej; wymagania, oznaczenie, wyposażenie i badanie
- DIN 18 380: VOB¹⁾; Instalacje ogrzewcze i centralne instalacje podgrzewania wody użytkowej
- DIN 18 381: VOB¹⁾; Prace na instalacjach gazowych, wodnych i kanalizacyjnych w obrębie budynków

Podłączenie elektryczne

- DIN VDE0100: Wykonywanie instalacji elektroenergetycznych o napięciach znamionowych do 1000 V
- VDE0190: Wyrównywanie potencjału głównego instalacji elektrycznych
- DIN 18 382 VOB¹⁾: Kable elektryczne i instalacje przesyłowe w budynkach.

1) VOB: Znormalizowane warunki zlecenia i wykonywania robót budowlanych - Część C: Ogólne warunki techniczne umów na roboty budowlane (ATV)



Zależnie od miejsca zainstalowania (np. w różnych krajach i regionach) mogą obowiązywać wymagania inne bądź uzupełniające (np. dotyczące podłączenia do sieci).

- ▶ Podczas montażu i użytkowaniu zasobnika buforowego i grzałki elektrycznej należy przestrzegać krajowych i regionalnych przepisów, wytycznych i norm (np. przepisów dostawców energii).

4 Transport



NIEBEZPIECZEŃSTWO: Zagrożenie dla życia przez spadający ładunek!

- ▶ Używać wyłącznie lin transportowych będących w nienagannym stanie technicznym.
- ▶ Haki należy zawieszać wyłącznie w przeznaczonych do tego celu uchach zaczepowych.



OSTRZEŻENIE: Niebezpieczeństwo odniesienia obrażeń wskutek przenoszenia zbyt ciężkich przedmiotów i ich niewłaściwego zabezpieczenia podczas transportu!

- ▶ Używać odpowiednich środków transportowych, np. wózka do transportu worków z pasem mocującym.
- ▶ Zabezpieczyć zasobnik buforowy przed upadkiem.

- ▶ Transport wózkiem do przewozu worków (→ rys. 5, str. 101)
- ▶ Transport za pomocą żurawia (→ rys. 6, str. 101)

5 Montaż

5.1 Zainstalowanie

5.1.1 Pomieszczenie zainstalowania



WSKAZÓWKA: Możliwość wystąpienia szkód materialnych na skutek działania mrozu i korozji!

- ▶ Ustawić zasobnik buforowy w miejscu zabezpieczonym przed mrozem i wilgocią.
- ▶ Stosować zasobnik buforowy wyłącznie w układach zamkniętych.
- ▶ Nie używać otwartych naczyń zbiorczych.

5.1.2 Ustawienie zasobnika buforowego

→ Rys.7, str. 102 oraz rys.8, str. 102.

5.2 Podłączenie hydrauliczne

W przypadku zasobników buforowych z izolacją termiczną o grubości 80 mm instalację rurową trzeba zamontować po zamontowaniu izolacji termicznej. W przypadku zasobników buforowych z izolacją termiczną o grubości 120 mm zaleca się montaż instalacji rurowej przed zamontowaniem izolacji.



NIEBEZPIECZEŃSTWO: Zagrożenie pożarem przez lutowanie i spawanie!

- ▶ O ile to możliwe, lutowanie i spawanie należy wykonywać przed zamontowaniem izolacji termicznej.
- ▶ Podczas lutowania i spawania należy stosować odpowiednie środki bezpieczeństwa, ponieważ izolacja termiczna jest łatwopalna (np. przykryć izolację).
- ▶ Po zakończeniu prac sprawdzić, czy izolacja termiczna nie została naruszona



WSKAZÓWKA: Niebezpieczeństwo wystąpienia szkód materialnych z powodu nieszczelności przyłączy oraz w przypadku przekroczenia wartości maksymalnych!

- ▶ Przewody przyłączeniowe należy montować tak, by nie było w nich naprężeń.
- ▶ Aby nie uszkodzić zasobnika buforowego, nie należy dopuszczać do przekroczenia wartości maksymalnych (→ tab. 73, str. 64 i tab. 75, str. 64).

W celu uniknięcia późniejszych uszkodzeń zasobnika buforowego:

- ▶ Zastosować materiał instalacyjny odporny na temperaturę do 110 °C.
- ▶ Do przyłączy solarnych zastosować materiał instalacyjny odporny na temperaturę do 135 °C.
- ▶ Wszystkie przewody przyłączeniowe do zasobnika należy wykonać na śrubunkach, ew. zamontować zawory odcinające.
- ▶ W najniższym punkcie dolnego przyłącza zamontować we własnym zakresie zawór spustowy.

Próba szczelności

→ Rys.10, st. 103.

5.3 Montaż czujnika temperatury

→ Rys. 9, str. 102:

- ▶ Posmarować przylegające powierzchnie pastą przewodzącą ciepło.

- ▶ Włożyć czujnik temperatury w uchwyt sprężynowy w ten sposób, aby cała jego zewnętrzna powierzchnia kontaktowa równomiernie przylegała do zasobnika buforowego.



Należy zwrócić uwagę na to, aby powierzchnia czujnika przylegała na całej długości do powierzchni płaszcza zasobnika.

- ▶ Oznakować odpowiednio końcówki przewodów czujnika temperatury.
- ▶ Przewód czujnikowy należy starannie poprowadzić do sterownika tak, by możliwe było zamontowanie izolacji.

5.4 Montaż izolacji termicznej



Optymalna temperatura montażu izolacji termicznej wynosi ok. 15 °C. Lekkie uderzanie w izolację termiczną w kierunku jej brzegów ułatwia połączenie obu jej końców.



Logalux PNR

Jeśli używają Państwo grzałki elektrycznej, izolacja termiczna przyłącza elektrycznego grzałki elektrycznej i pokrywy nie jest potrzebna.

5.4.1 Montaż izolacji termicznej o grubości 80 mm

→ Rys. 11, str. 103.

5.4.2 Montaż izolacji termicznej o grubości 120 mm



Zalecamy przeprowadzenie montażu i kontroli szczelności przed zamontowaniem izolacji termicznej.

→ Rys. 12, str. 103.

5.5 Montaż tulei zanurzeniowej (opcja)



Logalux PR

Po tylnej stronie zasobnika buforowego znajduje się mufa służąca do szczelnego zamontowania tulei zanurzeniowej (we własnym zakresie). Możliwe jest zamontowanie w tym miejscu tulei zanurzeniowej dla czujnika temperatury (→ rys. 9, str. 102).

- ▶ W celu pomiaru i nadzorowania temperatury ciepłej wody w zasobniku buforowym należy w punkcie pomiarowym zamontować czujnik temperatury.
- ▶ Wprowadzić czujnik temperatury do tulei zanurzeniowej za pomocą sprężyny zaciskowej.

5.6 Podłączenie elektryczne



NIEBEZPIECZEŃSTWO:

Niebezpieczeństwo utraty życia wskutek porażenia prądem elektrycznym!

- ▶ Wykonawstwo prac przy instalacji elektrycznej należy powierzać wyłącznie elektrykowi, posiadającemu odpowiednie uprawnienia.
- ▶ Przed otwarciem sterownika odłączyć instalację ogrzewczą od napięcia sieciowego za pomocą wyłącznika awaryjnego instalacji ogrzewczej i odłączyć ją od sieci elektrycznej za pomocą bezpiecznika głównego budynku.
- ▶ Zabezpieczyć instalację ogrzewczą przed niezamierzonym ponownym załączeniem.

- ▶ Poprowadzić przewody czujnikowe do sterownika.
- ▶ Podłączyć przewody czujnikowe do instalacji elektrycznej – zgodnie z instrukcją montażu sterownika.

6 Uruchomienie



WSKAZÓWKA: Możliwość wystąpienia szkód materialnych na skutek błędnego ustawienia wartości ciśnienia po stronie wody grzewczej!

- ▶ Zwracać uwagę na dopuszczalne wartości maksymalne (→ tab. 73, str. 64 i tab. 75, str. 64).

Uruchomienia musi dokonać wykonawca instalacji ogrzewczej lub fachowiec posiadający odpowiednie uprawnienia.

- ▶ Sprawdzić szczelność wszystkich połączeń.
- ▶ Uruchomić instalację ogrzewczą – przestrzegając przy tym instrukcji montażu i obsługi sterownika, kotłów oraz instalacji słonecznej.

7 Wyłączenie z ruchu



NIEBEZPIECZEŃSTWO:

Niebezpieczeństwo oparzenia gorącą wodą!

- ▶ Po wyłączeniu zasobnika buforowego z ruchu należy odczekać do momentu jego schłodzenia.



WSKAZÓWKA: Mróz powoduje uszkodzenie zasobnika!

Jeżeli istnieje ryzyko, że w czasie Państwa nieobecności wystąpią mrozy, to należy pozostawić zasobnik buforowy włączony lub wyłączyć go z ruchu i spuścić z niego wodę.

- ▶ Wyłączyć instalację ogrzewczą z ruchu – przestrzegając przy tym instrukcji montażu i obsługi sterownika, kotłów oraz instalacji słonecznej.
- ▶ Otworzyć zawór spustowy instalacji.
- ▶ Otworzyć odpowietrznik w celu odpowietrzenia instalacji.
- ▶ Całkowicie spuścić wodę z zasobnika buforowego i wysuszyć go od wewnątrz.

8 Ochrona środowiska/ utylizacja

Ochrona środowiska to jedna z podstawowych zasad działalności grupy Bosch.

Jakość produktów, ekonomiczność i ochrona środowiska stanowią dla nas równorzędne cele.

Ustawy i przepisy dotyczące ochrony środowiska są ściśle przestrzegane. Do ochrony środowiska z uwzględnieniem zasad ekonomii stosujemy najlepsze technologie i materiały.

Opakowanie

Co się tyczy opakowań, to firma nasza uczestniczy w systemach przetwarzania działających w danym kraju, które gwarantują optymalny przebieg recyklingu. Wszystkie materiały stosowane w opakowaniach nie są uciążliwe dla środowiska (ekologiczne) i nadają się do ponownego przetworzenia.

Stare urządzenie

Stare urządzenia zawierają materiały, które powinny być ponownie przetworzone.

Podzespoły można łatwo rozdzielić, zaś tworzywa sztuczne są oznakowane. W ten sposób można sortować różne podzespoły i poddawać je recyklingowi lub utylizacji.

9 Konserwacja

W przypadku zasobników buforowych poza oględzinami nie są wymagane żadne szczególne prace konserwacyjne lub czyszczenie.

- ▶ Co roku należy sprawdzić z zewnątrz wszystkie przyłącza pod kątem szczelności. W razie potrzeby zgłosić się do uprawnionej firmy instalacyjnej lub zadzwonić do biura obsługi klienta i podać rodzaj usterki oraz dane urządzenia.

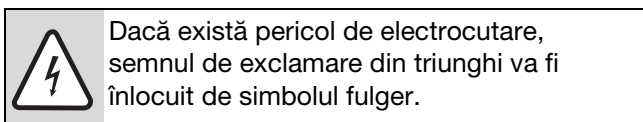
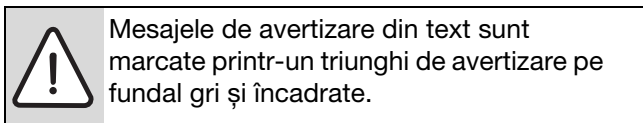
Cuprins

1	Explicarea simbolurilor și instrucțiuni de siguranță	69
1.1	Explicarea simbolurilor	69
1.2	Instrucțiuni de siguranță	69
2	Date despre echipament	70
2.1	Descrierea produsului	70
2.2	Pachet de livrare	70
2.3	Utilizarea conform destinației	70
2.4	Unelte, materiale și instrumente auxiliare	70
2.5	Date tehnice	70
2.5.1	Dimensiuni și racorduri rezervor tampon Logalux PR	70
2.5.2	Dimensiuni și racorduri rezervor tampon solar Logalux PNR	70
3	Prescripții	71
4	Transport	71
5	Montarea	71
5.1	Amplasare	71
5.1.1	Încăperea de amplasare	71
5.1.2	Amplasarea acumulatorului tampon	71
5.2	Branșament hidraulic	72
5.3	Montarea senzorului de temperatură	72
5.4	Montarea termoizolației	72
5.4.1	Montarea termoizolației de 80 mm	72
5.4.2	Montarea termoizolației de 120 mm	72
5.5	Montarea tecii de imersie (opțional)	72
5.6	Conexiune electrică	73
6	Punerea în funcțiune	73
7	Scoaterea din funcțiune	73
8	Protecția mediului/Eliminarea ca deșeu	73
9	Întreținere	73

1 Explicarea simbolurilor și instrucțiuni de siguranță

1.1 Explicarea simbolurilor

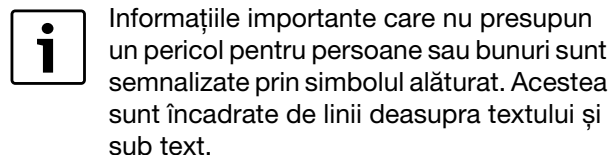
Mesaje de avertizare



Cuvintele de semnalizare de la începutul unui mesaj de avertizare sunt caracteristice pentru tipul și gravitatea consecințelor care pot apărea dacă nu se iau măsurile pentru evitarea pericolului.

- **ATENȚIE** înseamnă că pot rezulta prejudicii materiale.
- **PRECAUȚIE** înseamnă că pot rezulta daune personale ușoare până la daune personale grave.
- **AVERTIZARE** înseamnă că pot rezulta daune personale grave.
- **PERICOL** înseamnă că pot rezulta daune personale periculoase.

Informații importante



Alte simboluri

Simbol	Semnificație
▶	Etapă operațională
→	Trimitere la alte texte din document sau la alte documente
•	Enumerare/listă de intrări
–	Enumerare/listă de intrări (al 2-lea nivel)

Tab. 78

Explicați simbolurilor pentru imaginile începând de la pagina 99:



Tab. 79 Explicați simbolurilor pentru imagini

1.2 Instrucțiuni de siguranță

Amplasare și remodelare

- ▶ **Pericol de incendiu!** Lucrările de lipire și sudare pot provoca incendii, deoarece izolația termică este inflamabilă.
- ▶ Acumulatorul tampon se va amplasa sau remodela numai de către o firmă de specialitate autorizată.

Funcționarea

- ▶ Pentru a asigura funcționarea ireproșabilă, respectați prezentele instrucțiuni de instalare și de întreținere.
- ▶ **Pericol de opărire!** În timpul exploatarei acumulatorului tampon, temperatura poate depăși 60 °C.

Întreținere

- ▶ **Recomandare pentru clienți:** Încheiați un contract de verificare tehnică și de întreținere cu o firmă de specialitate autorizată.
- ▶ Folosiți numai piese de schimb originale!

Informarea clientului

- ▶ Informați clientul cu privire la modul de utilizare a rezervorului tampon și atrageți atenția în special asupra punctelor privind siguranța.
- ▶ Predați utilizatorului instrucțiunile de instalare și de întreținere pentru a le păstra în apropierea echipamentului de încălzire.

2 Date despre echipament

2.1 Descrierea produsului

Rezervorul tampon este livrat complet. Termoizolația și senzorii de temperatură trebuie montați.

Există două tipuri diferite de rezervoare tampon (→ fig. 4, pagina 101).

- **Rezervor tampon**
 - Logalux PR 500/750/1000-80
 - Logalux PR 500/750/1000-120
- **Rezervor tampon solar**
 - Logalux PNR 500/750/1000-80 E(W)
 - Logalux PNR 500/750/1000-120 E(W)

Ambele tipuri de rezervoare sunt disponibile cu o termoizolație din spumă moale poliuretanică de 80 mm sau din plasă din fibră de poliester de 120 mm.

Rezervorul tampon este fabricat din oțel și este dotat cu un sistem de intrare a returului termosensibil.

Includerea unui termoșemineu sau a unui cazan pe combustibil solid este posibilă prin racordurile pentru cazan și pentru circuite de încălzire.

Rezervorul tampon solar Logalux PNR dispune suplimentar de un racord pentru instalația solară și de o rezistență electrică (→ fig. 4, pagina 101).

2.2 Pachet de livrare

Rezervor tampon în general

- Rezervor de acumulare
- Documente tehnice
- Termoizolație
- Capacul rezervorului
- Placa termoizolantă superioară și inferioară
- Table de fixare pentru senzorul de temperatură.

Rezervor tampon cu termoizolație de 80 mm

- Termoizolație pentru racordarea unei rezistențe electrice (numai PNR 500/750/1000-80 E(W))
- Rozete.

Rezervor tampon cu termoizolație de 120 mm

- Termoizolație pentru racordarea unei rezistențe electrice (numai PNR 500/750/1000-120 E(W))
- Capace de închidere.

2.3 Utilizarea conform destinației

Datorită capacității mari, rezervoarele tampon Logalux PR și rezervoarele tampon solare Logalux PNR sunt destinate susținerii procesului de încălzire.

Rezervoarele tampon trebuie umplute doar cu apă caldă menajeră și exploatate exclusiv în instalații de încălzire închise.

Rezervoarele tampon pot fi utilizate indirect, prin intermediul unei stații de alimentare cu apă proaspătă, pentru încălzirea apei potabile.

2.4 Unelte, materiale și instrumente auxiliare

Pentru transport sunt utile un cărucior stivuitor, un stivuitor cu furcă sau o macara.

Pentru montaj aveți nevoie de uneltele standard din domeniul instalațiilor de gaz și de apă.

2.5 Date tehnice

2.5.1 Dimensiuni și racorduri rezervor tampon Logalux PR

Valori maxime admise Logalux PR500/750/1000		
Presiune de lucru	bar	3
Temperatură de funcționare apă menajeră	°C	110

Tab. 80 Valori maxime admise PR

Dimensiuni și sarcina pe suprafață		PR 500	PR 750	PR 1000
Înălțime diagonală	mm	1780	1740	1740
Greutate totală în stare umplută	kg	630	897	1176
Încărcare cu greutate per picior	kg	210	299	392

Tab. 81 Date tehnice Logalux PR

2.5.2 Dimensiuni și racorduri rezervor tampon solar Logalux PNR

Valori maxime admise Logalux PNR500/750/1000		
Presiune de lucru în serpentina solară ¹⁾	bar	8
Presiune de lucru apă caldă menajeră	bar	3
Temperatură de funcționare acumulator	°C	160
Temperatură de funcționare acumulator apă caldă menajeră	°C	110

Tab. 82 Valori maxime admise PNR

- 1) În funcție de modul de includere în instalația solară, este necesar un element de siguranță individual (ventil de siguranță, vas de expansiune).

Dimensiuni și sarcina pe suprafață		PNR 500	PNR 750	PNR 1000
Înălțime diagonală	mm	1780	1790	2250
Greutate totală în stare umplută	kg	655	933	1215
Încărcare cu greutate per picior	kg	219	311	405

Tab. 83 Date tehnice Logalux PNR

Acumulator solar		PNR 500	PNR 750	PNR 1000
Suprafață	m ²	2,0	2,2	2,7
Capacitate	l	17	18	23

Tab. 84 Date tehnice Logalux PNR

3 Prescripții

Instalați și echipați rezervorul tampon conform standardelor și directivelor naționale specifice.

Reglementări tehnice pentru instalarea rezervoarelor tampon (selecție) în Germania:

Instalarea și echiparea instalațiilor de încălzire a apei potabile și de încălzire

- DIN 4753, partea 1: Încălzitori de apă și instalații de încălzire a apei pentru apă potabilă și industrială; cerințe, marcaje, echipare și verificare.
- DIN 18 380: VOB¹⁾; instalații de încălzire și instalații centrale de încălzire a apei
- DIN 18 381: VOB¹⁾; Lucrări de realizare a instalațiilor de gaz, apă și apă reziduală în interiorul clădirilor.

Conexiune electrică

- DIN VDE0100: Realizarea instalațiilor de înaltă tensiune cu tensiuni nominale până la 1000 V
- VDE0190: Echilibrarea potențialului principal la instalații electrice
- DIN 18 382 VOB¹⁾: Instalații electrice cu cabluri, în clădiri.

1) VOB: Regulament de contractare a prestațiilor în construcții - partea C: Condiții contractuale tehnice generale pentru prestațiile în construcții (ATV)



În funcție de locul de amplasare (de exemplu, în diversele țări și regiuni) pot fi valabile cerințe suplimentare sau diferite (de exemplu, cerințe privind conexiunea la rețea).

- ▶ Respectați prescripțiile, directivele și standardele specifice țării și regiunii (de exemplu, ale furnizorului de energie electrică) la instalarea și exploatarea rezervorului tampon și a rezistenței electrice.

4 Transport



PERICOL: Pericol de moarte în cazul căderii greutății!

- ▶ Utilizați exclusiv cabluri pentru transport care se află în stare ireproșabilă.
- ▶ Introduceți cârligele doar în inelele pentru macara prevăzute în acest scop.



AVERTIZARE: Pericol de accidentare cauzat de purtarea sarcinilor grele și de asigurarea necorespunzătoare la transport!

- ▶ Utilizați mijloace de transport adecvate, de exemplu, cărucior de transport cu chingi de prindere.
- ▶ Asigurați rezervorul tampon împotriva căderii.

- ▶ Transportul cu ajutorul căruciorului de transport (→ fig. 5, pagina 101)
- ▶ Transportul cu ajutorul macaralei (→ fig. 6, pagina 101)

5 Montarea

5.1 Amplasare

5.1.1 Încăperea de amplasare



ATENȚIE: Daune materiale cauzate de îngheț și coroziune!

- ▶ Amplasați rezervorul tampon într-o încăpere uscată și protejată împotriva înghețului.
- ▶ Utilizați rezervorul tampon numai în sisteme închise.
- ▶ Nu utilizați vase de expansiune deschise.

5.1.2 Amplasarea acumulatorului tampon

→ Fig.7, pagina 102 și fig. 8, pagina 102.

5.2 Branșament hidraulic

În cazul rezervoarelor tampon cu o termoizolație de 80 mm, instalația de țevi trebuie montată după fixarea termoizolației.

La rezervoarele tampon cu o termoizolație de 120 mm recomandăm montarea instalației de țevi anterior fixării izolației.



PERICOL: Pericol de moarte în timpul lucrărilor de lipire și sudură!

- ▶ Lucrările de lipire și de sudură trebuie efectuate, pe cât posibil, anterior montării termoizolației.
- ▶ În cazul lucrărilor de lipire și de sudură luați măsuri de protecție adecvate, deoarece termoizolația este inflamabilă (de exemplu, acoperiți termoizolația).
- ▶ După terminarea lucrărilor, verificați termoizolația cu privire la starea ireproșabilă.



ATENȚIE: Daune materiale cauzate de racorduri neetanșe și prin depășirea valorilor maxime!

- ▶ Pozați conductele de racord fără tensiune.
- ▶ Pentru a nu deteriora rezervorul tampon, respectați valorile maxime (→ Tab. 80, pagina 70 și Tab. 82, pagina 70).

Pentru a evita daune ulterioare la nivelul rezervorului tampon:

- ▶ Utilizați materiale de instalație rezistente la o temperatură de până la 110 °C.
- ▶ Utilizați pentru racordurile solare material de instalație rezistent la temperaturi de până la 135 °C.
- ▶ Realizați toate conductele de racord la nivelul rezervorului cu filet, eventual cu ventil de închidere.
- ▶ Montați la fața locului un robinet de golire la punctul cel mai adânc al racordului inferior.

Verificarea etanșeității

→ Fig. 10, pagina 103.

5.3 Montarea senzorului de temperatură

→ Fig. 9, pagina 102:

- ▶ Ungeți suprafețele de contact cu o pastă termoconductoare.
- ▶ Introduceți senzorul de temperatură în arcul de fixare în așa fel încât întreaga suprafață de contact a senzorului de temperatură să atingă rezervorul de acumulare.



Aveți în vedere ca suprafața senzorului să fie în contact cu suprafața mantalei rezervorului pe întreaga lungime a senzorului.

- ▶ Inscriptionați în mod corespunzător capetele cablurilor senzorului de temperatură.
- ▶ Pozați cablul senzorului spre automatizare în așa fel încât să poată fi montată izolația.

5.4 Montarea termoizolației



Temperatura optimă de montare a termoizolației este de aprox. 15 °C. Prin baterea ușoară a termoizolației în direcția capetelor de închidere se facilitează unirea celor două capete.



Logalux PNR

Dacă utilizați o rezistență electrică, nu mai sunt necesare termoizolația pentru racordul rezistenței electrice și capacul.

5.4.1 Montarea termoizolației de 80 mm

→ Fig. 11, pagina 103.

5.4.2 Montarea termoizolației de 120 mm



Vă recomandăm să realizați instalarea și verificarea etanșeității anterior montării termoizolației.

→ Fig. 12, pagina 103.

5.5 Montarea tecii de imersie (opțional)



Logalux PR

Pe partea dorsală a rezervorului tampon se află mufa pentru etanșarea la fața locului a unei tecii de imersie. Aici se poate monta o teacă de imersie pentru senzorul de temperatură (→ Fig. 9, pagina 102).

- ▶ Pentru măsurarea și monitorizarea temperaturii apei calde la nivelul rezervorului tampon, montați senzorul de temperatură la punctul de măsurare.
- ▶ Introduceți senzorul de temperatură cu arcul de fixare în teaca de imersie.

5.6 Conexiune electrică



PERICOL: Pericol de moarte prin electrocutare!

- ▶ Asigurați-vă că lucrările electrice sunt executate exclusiv de specialiști autorizați.
- ▶ Înainte de a deschide aparatul de reglare trebuie să decuplați instalația de încălzire de la rețeaua de energie electrică prin intermediul întrerupătorului de siguranță al sistemului de încălzire și să o izolați de rețea cu ajutorul siguranței corespunzătoare din casă.
- ▶ Asigurați-vă că nu există posibilitatea unei conectări accidentale a instalației de încălzire.

- ▶ Pozați cablurile senzorului spre automatizare.
- ▶ Realizați racordul electric al cablurilor senzorului – respectați instrucțiunile de instalare ale automatizării.

6 Punerea în funcțiune



ATENȚIE: Daune materiale ca urmare a presiunii reglate greșit pe partea de apă caldă menajeră!

- ▶ Respectați valorile maxime admise (→ Tab. 80, pagina 70 și Tab. 82, pagina 70).

Punerea în funcțiune trebuie efectuată de către o firmă autorizată ISCIR-PTA1 agreată de producătorul produsului.

- ▶ Verificați toate racordurile în privința etanșeității.
- ▶ Puneți instalația de încălzire în funcțiune – respectați instrucțiunile de instalare și utilizare ale automatizării, ale schimbătoarelor termice și ale instalației solare.

7 Scoaterea din funcțiune



PERICOL: Pericol de opărire cu apă fierbinte!

- ▶ După scoaterea din funcțiune, lăsați rezervorul tampon să se răcească suficient.



ATENȚIE: Boilerul se poate defecta ca urmare a înghețului!

Dacă în timpul absenței dumneavoastră există pericol de îngheț, vă recomandăm să lăsați rezervorul tampon în funcțiune sau să-l scoateți din funcțiune și să-l goliți.

- ▶ Scoateți instalația de încălzire din funcțiune – respectați instrucțiunile de instalare și de utilizare ale automatizării, ale schimbătoarelor termice și ale instalației solare.
- ▶ Deschideți ventilul de golire al instalației.
- ▶ Pentru aerisire deschideți orificiul de aerisire.
- ▶ Goliți rezervorul tampon complet și uscați interiorul.

8 Protecția mediului/ Eliminarea ca deșeu

Protecția mediului este un principiu de bază al întreprinderilor grupului Bosch.

Pentru noi, calitatea produselor, rentabilitatea și protecția mediului, ca și obiective, au aceeași prioritate. Respectăm cu strictețe legile și dispozițiile privind protecția mediului. Pentru a proteja mediul, folosim cele mai bune tehnologii și materiale din punct de vedere economic.

Ambalaj

În ceea ce privește ambalajul, participăm la sistemele de valorificare specifice fiecărei țări, care garantează o reciclare optimă. Toate materialele de ambalaj sunt nepoluante și revalorificabile.

Echipament uzat

Echipamentele uzate conțin materiale care trebuie revalorificate.

Unitățile constructive sunt ușor de separat, iar materialele plastice sunt marcate. Astfel, diferitele unități constructive pot fi sortate și reciclate sau eliminate ca deșeu.

9 Întreținere

În cazul rezervoarelor tampon, suplimentar față de inspecțiile vizuale nu sunt necesare lucrări de întreținere sau de curățare speciale.

- ▶ Verificați anual, din exterior, toate racordurile cu privire la neetanșeități. Contactați firma de specialitate autorizată sau serviciul pentru clienți și comunicați defectiunea, precum și datele aparatului.

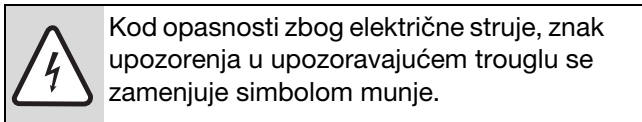
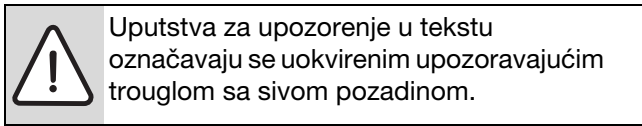
Sadržaj

1	Objašnjenje simbola i sigurnosna uputstva	75
1.1	Objašnjenje simbola	75
1.2	Sigurnosne napomene	75
2	Podaci o uređaju	76
2.1	Opis proizvoda	76
2.2	Obim isporuke	76
2.3	Pravilna upotreba	76
2.4	Alati, materijali i pomoćna sredstva	76
2.5	Tehnički podaci	76
2.5.1	Dimenzije i priključci akumulacionog bojlera Logalux PR	76
2.5.2	Dimenzije i priključci solarnog akumulacionog bojlera Logalux PNR	76
3	Propisi	77
4	Transport	77
5	Montaža	77
5.1	Postavljanje	77
5.1.1	Mesto postavljanja	77
5.1.2	Postavljanje akumulacionog bojlera	77
5.2	Hidraulični priključak	77
5.3	Namontirajte temperaturnu sondu	78
5.4	Postavljanje termoizolacije	78
5.4.1	Postavljanje termoizolacije debljine 80 mm	78
5.4.2	Postavljanje termoizolacije debljine 120 mm	78
5.5	Postavljanje omotača za potapanje (opcija)	78
5.6	Električno priključivanje	78
6	Puštanje u rad	79
7	Stavljanje van pogona	79
8	Zaštita životne okoline/Uklanjanje otpada	79
9	Održavanje	79

1 Objašnjenje simbola i sigurnosna uputstva

1.1 Objašnjenje simbola

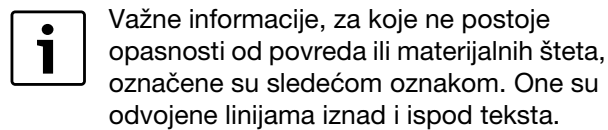
Uputstva za upozorenje



Reči upozorenja na početku uputstva za upozorenje označavaju vrstu i stepen opasnosti koja se javlja kada se ne poštuju mere za sprečavanje opasnosti.

- **NAPOMENA** znači da mogu nastati materijalne štete.
- **OPREZ** znači da mogu nastati lake do srednje telesne povrede.
- **UPOZORENJE** znači da mogu nastati teže telesne povrede.
- **OPASNOST** znači da mogu nastati telesne povrede opasne po život.

Važne informacije



Drugi simboli

Simbol	Značenje
▶	Korak u postupku rukovanja
→	Unakrsna referenca na druga mesta u dokumentu ili na druge dokumente
•	Spisak/stavke spiska
–	Spisak/stavke spiska (2. nivo)

tab. 85

Objašnjenje simbola na slikama od str. 99:



tab. 86 Objašnjenje simbola za slike

1.2 Sigurnosne napomene

Postavljanje i prerada

- ▶ **Opasnost od požara!** Lemljenja i varenja mogu dovesti do požara zato što je termoizolacija zapaljiva.
- ▶ Samo ovlašćeni specijalizovani servis sme da izvrši postavljanje ili modifikaciju akumulacionog bojlera.

Funkcija

- ▶ Da bi se obezbedilo neometano funkcionisanje, morate se pridržavati ovih uputstava za instalaciju i servisiranje.
- ▶ **Opasnost od opekotina izazvanih vreloom vodom!** U toku rada akumulacionog bojlera mogu se javiti temperature iznad 60 °C.

Održavanje

- ▶ **Savet za korisnika:** sklopite ugovor o održavanju i kontroli sa ovlašćenim specijalizovanim servisom.
- ▶ Koristite samo originalne rezervne delove!

Davanje uputstava korisniku

- ▶ Korisnik mora biti informisan o načinu korišćenja akumulacionog bojlera i treba mu naročito ukazati na sigurnosno-tehničke pojedinosti.
- ▶ Korisnik mora da poseduje uputstvo za instalaciju i održavanje i da ga čuva u blizini sistema grejanja.

2 Podaci o uređaju

2.1 Opis proizvoda

Isporučuje se kompletan akumulacioni bojler. Termoizolacija i senzor temperature moraju da se montiraju.

Postoje dve vrste akumulacionih bojlera (→ sl. 4, str. 101).

- **Akumulacioni bojler**
 - Logalux PR 500/750/1000-80
 - Logalux PR 500/750/1000-120
- **Solarni akumulacioni bojler**
 - Logalux PNR 500/750/1000-80 E(W)
 - Logalux PNR 500/750/1000-120 E(W)

Obe vrste bojlera se nude sa termoizolacijom od PU pene debljine 80 mm i sa termoizolacijom od poliesterskih vlakana debljine 120 mm.

Akumulacioni bojler je izrađen od čelika i opremljen je napajanjem preko povratnog voda osetljivim na temperaturu.

Postoji mogućnost povezivanja kaminske instalacije kroz koju protiče voda ili kotla na čvrsta goriva preko priključaka za grejni kotao i grejne krugove.

Solarni akumulacioni bojler Logalux PNR ima još jedan priključak za solarni sistem i električni grejač (→ sl. 4, str. 101).

2.2 Obim isporuke

Opšte informacije o akumulacionom bojleru

- Akumulacioni bojler
- Tehnička dokumentacija
- Termička izolacija
- Oplata bojlera
- Gornja i donja termoizolaciona ploča
- Stezni opružni lim za senzor za temperaturu

Akumulacioni bojler sa termoizolacijom debljine 80 mm

- Termoizolacija za priključivanje električnog grejača (samo PNR 500/750/1000-80 E(W))
- Rozete.

Akumulacioni bojler sa termoizolacijom debljine 120 mm

- Termoizolacija za priključivanje električnog grejača (samo PNR 500/750/1000-120 E(W))
- Završne blende.

2.3 Pravilna upotreba

Akumulacioni bojler Logalux PR i solarni akumulacioni bojler Logalux PNR su zbog svoje velike zapremine

predviđeni kao akumulacioni bojleri za podršku grejanju.

Akumulacioni bojler sme da se puni samo sa grejnom vodom i da se koristi samo u zatvorenim sistemima grejanja.

Akumulacioni bojleri se mogu koristiti indirektno za zagrevanje pijaće vode, preko stanice za svežu vodu.

2.4 Alati, materijali i pomoćna sredstva

Za transport se mogu koristiti kolica, viljuškar ili dizalica.

Za montažu su vam potrebni standardni alati koji se koriste za instalaciju grejanja, kao i za gasnu i vodovodnu instalaciju.

2.5 Tehnički podaci

2.5.1 Dimenzije i priključci akumulacionog bojlera Logalux PR

Dozvoljene maksimalne vrednosti Logalux PR500/750/1000		
Radni pritisak	bar	3
Radna temperatura grejne vode	°C	110

tab. 87 Dozvoljene maksimalne vrednosti PR

Dimenzije i površinsko opterećenje		PR 500	PR 750	PR 1000
Zakretna dimenzija	mm	1780	1740	1740
Ukupna težina sa punjenjem	kg	630	897	1176
Težinsko opterećenje po podnožju	kg	210	299	392

tab. 88 Tehnički podaci za Logalux PR

2.5.2 Dimenzije i priključci solarnog akumulacionog bojlera Logalux PNR

Dozvoljene maksimalne vrednosti Logalux PNR500/750/1000		
Radni pritisak solarnog izmenjivača toplote ¹⁾	bar	8
Radni pritisak grejne vode	bar	3
Radna temperatura solarnog izmenjivača toplote	°C	160
Radna temperatura grejne vode	°C	110

tab. 89 Dozvoljene maksimalne vrednosti PNR

1) U zavisnosti od povezivanja solarnog sistema, potrebni su pojedinačni osigurači (sigurnosni ventil, ekspanzioni membranski sud).

Dimenzije i površinsko opterećenje		PNR 500	PNR 750	PNR 1000
Zakretna dimenzija	mm	1780	1790	2250
Ukupna težina sa punjenjem	kg	655	933	1215
Težinsko opterećenje po podnožju	kg	219	311	405

tab. 90 Tehnički podaci za Logalux PNR

Solarni izmenjivač toplote		PNR 500	PNR 750	PNR 1000
Površina	m ²	2,0	2,2	2,7
Sadržaj	l	17	18	23

tab. 91 Tehnički podaci za Logalux PNR

3 Propisi

Akumulacioni bojler instalirajte i opremite prema standardima i propisima koji su specifični za dotičnu zemlju.

Tehnički propisi za instalaciju akumulacionog bojlera (opcija) u Nemačkoj:

Instalacija i opremanje sistema za zagrevanje grejne vode i sistema za pripremu tople vode

- DIN 4753, Deo 1: Uređaji za zagrevanje vode i sistemi za zagrevanje vode za pijaću vodu i vodu za grejanje; zahtevi, oznake, oprema i ispitivanje
- DIN 18 380: VOB¹⁾; Sistemi grejanja i sistemi za centralnu pripremu tople vode
- DIN 18 381: VOB¹⁾; Radovi na instalacijama za gas, vodu i odvod u zgradama.

Električno priključivanje

- DIN VDE0100: Postavljanje postrojenja jakih struja sa nominalnim naponom do 1000 V
- VDE0190: Izjednačavanje glavnog potencijala električnih uređaja
- DIN 18 382 VOB¹⁾: električni sistem kablova i vodova u zgradama.

1) VOB: Pravilnik o zapošljavanju u građevinarstvu - Deo C: Opšti tehnički uslovi ugovora (ATV)



U zavisnosti od mesta postavljanja (npr. u raznim zemljama i regionima) mogu da važe dodatni ili drugi zahtevi (npr. zahtevi za priključivanje na mrežu).

- ▶ Propisi, smernice i standardi koji su specifični za neku zemlju ili region moraju da se poštuju prilikom instalacije i u toku rada akumulacionog bojlera i električnih grejača.

4 Transport



OPASNOST: Opasnost po život zbog padanja tereta!

- ▶ Koristiti samo transportnu užad koja su u besprekornom stanju.
- ▶ Kuke treba zakačiti isključivo u predviđene alke za dizalicu.



UPOZORENJE: Opasnost od povreda zbog nošenja teških tereta i nepravilnog osiguranja prilikom transporta!

- ▶ Koristiti odgovarajuća transportna sredstva, npr. transportna kolica za džakove sa steznim kaišem.
- ▶ Akumulacioni bojler osigurajte od pada.

- ▶ Transport kolicima za džakove (→ sl. 5, str. 101)
- ▶ Transport dizalicom (→ sl. 6, str. 101)

5 Montaža

5.1 Postavljanje

5.1.1 Mesto postavljanja



PAŽNJA: Materijalne štete zbog mraza i korozije!

- ▶ Akumulacioni bojler postaviti u suhu prostoriju u kojoj ne postoji opasnost od zamrzavanja.
- ▶ Akumulacioni bojler koristiti samo u zatvorenim sistemima.
- ▶ Ne koristiti otvorene ekspanzione posude.

5.1.2 Postavljanje akumulacionog bojlera

→ sl. 7, str. 102 i sl. 8, str. 102.

5.2 Hidraulični priključak

Kod akumulacionih bojlera sa termoizolacijom debljine 80 mm cevnu instalaciju treba postaviti nakon postavljanja termoizolacije.

Kod akumulacionih bojlera sa termoizolacijom debljine

120 preporučujemo da se montaža cevne instalacije obavi pre postavljanja izolacije.



OPASNOST: Opasnost od požara zbog radova na lemljenju i zavarivanju!

- ▶ Ukoliko je to moguće, radove na lemljenju i zavarivanju treba obaviti pre montaže termoizolacije.
- ▶ Prilikom izvođenja radova na lemljenju i zavarivanju moraju se preduzeti odgovarajuće zaštitne mere zato što je termoizolacija zapaljiva (npr. pokrivanje termoizolacije)
- ▶ Po završetku radova proveriti celovitost termoizolacije.



PAŽNJA: Materijalne štete zbog nezaptivenih priključaka i prekoračenja maksimalnih vrednosti!

- ▶ Priključne vodove instalirati bez naprežanja i napona.
- ▶ Pridržavati se maksimalnih vrednosti (→ tab. 87, str. 76 i tab. 89, str. 76) da se ne bi oštetio akumulacioni bojler.

Za sprečavanje naknadnih oštećenja kod akumulacionog bojlera:

- ▶ Koristiti izolacioni materijal koji je otporan na temperature do 110 °C.
- ▶ Za solarne priključke koristiti izolacioni materijal koji je otporan na temperature do 135 °C.
- ▶ Sve priključne vodove na bojleru realizovati kao zavrtnjske spojeve, eventualno sa zaustavnim ventilom.
- ▶ U najnižoj tački donjeg priključka na mestu ugradnje montirati slavinu za pražnjenje.

Provera zaptivenosti

→ sl. 10, str. 103.

5.3 Namontirajte temperaturnu sondu

→ sl. 9, str. 102:

- ▶ Kontaktne površine premazati termoprovodnom pastom.
- ▶ Senzor za temperaturu postaviti u opružni držač tako da celom kontaktnom površinom, sa spoljašnje strane, naleže na akumulacioni bojler.



Vodite računa o tome da površina senzora celom dužinom ima kontakt sa površinom omotača akumulacionog bojlera.

- ▶ Kablove senzora za temperaturu na krajevima obeležiti na odgovarajući način.
- ▶ Kabl za senzor položiti do regulacionog uređaja tako da izolacija može da se montira.

5.4 Postavljanje termoizolacije



Termička izolacija može se optimalno montirati pri oko 15 °C. Lagano lupkanje termoizolacije u smeru završnih krajeva olakšava umetanje krajeva.



Logalux PNR

Ako koristite električne grejače, termoizolacija nije potrebna za priključak elektrogrejača i poklopac.

5.4.1 Postavljanje termoizolacije debljine 80 mm

→ sl. 11, str. 103.

5.4.2 Postavljanje termoizolacije debljine 120 mm



Preporučujemo da se pre postavljanja termoizolacije obavi instalacija i provera hermetičnosti.

→ sl. 12, str. 103.

5.5 Postavljanje omotača za potapanje (opcija)



Logalux PR

Na zadnjoj strani akumulacionog bojlera nalazi se muf za zaptivanje omotača za potapanje na mestu ugradnje. Ovde može da se ugradi jedan omotač za potapanje namenjen senzoru za temperaturu (→ sl. 9, str. 102).

- ▶ Za merenje i nadzor temperature tople vode u akumulacionom bojleru, na mernom mestu treba montirati senzor za temperaturu.
- ▶ Senzor za temperaturu sa opružnom spojnicom umetnite u omotač za potapanje.

5.6 Električno priključivanje



OPASNOST: Opasnost po život zbog električne struje!

- ▶ Pobriniti se da elektro-radove obavljaju samo ovlašćeni serviseri.
- ▶ Pre otvaranja regulacionog uređaja sistem grejanja isključite pomoću prekidača za slučaj opasnosti i prekinite dovod struje do sistema grejanja pomoću odgovarajućeg osigurača.
- ▶ Vodite računa da ne dođe do nenamernog ponovnog uključivanja sistema grejanja.

- ▶ Sprovesti kablove senzora do regulacionog uređaja.
- ▶ Priključiti kablove senzora – i pri tom voditi računa o uputstvu za instalaciju regulacionog uređaja.

6 Puštanje u rad



PAŽNJA: Materijalne štete zbog pogrešno podešenog pritiska na strani grejne vode!

- ▶ Voditi računa o dozvoljenim maksimalnim vrednostima (→ tab. 87, str. 76 i tab. 89, str. 76).

Puštanje u rad mora da obavi stručno lice koje se bavi instalacijom grejanja ili ovlašćeno stručno lice.

- ▶ Proverite hermetičnost svih priključaka.
- ▶ Sistem grejanja staviti u pogon – i pri tom voditi računa o uputstvima za instalaciju i rukovanje regulacionim uređajem i solarnim sistemom.

7 Stavljanje van pogona



OPASNOST: Opasnost od opekotina izazvanih vrelom vodom!

- ▶ Nakon stavljanja van pogona sačekati da se akumulacioni bojler dovoljno ohladi.



PAŽNJA: Oštećenja bojlera zbog mraza!

U slučaju da u vašem odsustvu postoji opasnost od mraza, preporučujemo vam da akumulacioni bojler ostavite uključen ili da ga stavite van pogona i ispraznite.

- ▶ Sistem grejanja staviti van pogona – i pri tom voditi računa o uputstvima za instalaciju i rukovanje regulacionim uređajem i solarnim sistemom.
- ▶ Otvoriti ventil za pražnjenje sistema.
- ▶ Otvoriti odzračni ventil radi ispuštanja vazduha.
- ▶ Akumulacioni bojler potpuno isprazniti i osušiti njegovu unutrašnjost.

8 Zaštita životne okoline/ Uklanjanje otpada

Zaštita životne okoline predstavlja princip poslovanja grupe Bosch.

Kvalitet proizvoda, ekonomičnost i zaštita životne okoline su za nas ciljevi istog prioriteta. Zakoni i propisi o zaštiti životne okoline se strogo poštuju. Da bismo zaštitili životnu okolinu, koristimo najbolju moguću tehniku i materijale s aspekta ekonomičnosti.

Pakovanje

Kod pakovanja smo vodili računa o sistemima klasiranja otpada koji su specifični za dotičnu zemlju radi obezbeđivanja optimalne reciklaže. Svi korišćeni materijali za pakovanje su ekološki prihvatljivi i mogu se reciklirati.

Dotrajali uređaj

Dotrajali uređaji sadrže dragocene materijale koje treba ponovo preraditi.

Moduli se lako razdvajaju, a plastični materijali su označeni. Na taj način možete sortirati i reciklirati različite module ili odložiti ih u otpad.

9 Održavanje

Osim vizuelne kontrole, kod akumulacionih bojlera nisu potrebni nikakvi posebni radovi na održavanju ili čišćenju.

- ▶ Jednom godišnje proverite hermetičnost svih priključaka.
Nazvati ovlašćeni stručni servis ili službu za potrošače i informisati i o kvaru i dati im podatke o uređaju.

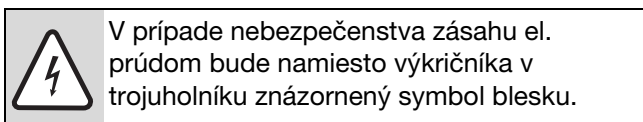
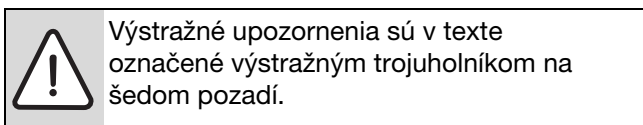
Obsah

1	Vysvetlenie symbolov a bezpečnostné pokyny	81
1.1	Vysvetlenie symbolov	81
1.2	Bezpečnostné pokyny	81
2	Údaje o zariadení	82
2.1	Popis výrobku	82
2.2	Rozsah dodávky	82
2.3	Správne použitie	82
2.4	Náradie, materiály a pomôcky	82
2.5	Technické údaje	82
2.5.1	Rozmery a prípojky vyrovnávacích zásobníkov Logalux PR	82
2.5.2	Rozmery a prípojky vyrovnávacích zásobníkov Logalux PNR pre solárne zariadenie	82
3	Predpisy	83
4	Preprava	83
5	Montáž	83
5.1	Inštalácia zariadenia	83
5.1.1	Miestnosť s nainštalovaným zariadením	83
5.1.2	Umiestnenie vyrovnávacieho zásobníka	83
5.2	Hydraulická prípojka	84
5.3	Montáž snímača teploty	84
5.4	Montáž tepelnej izolácie	84
5.4.1	Montáž 80 mm hrubej tepelnej izolácie	84
5.4.2	Montáž 120 mm hrubej tepelnej izolácie	84
5.5	Montáž ponorného puzdra (voliteľné príslušenstvo)	84
5.6	Elektrická prípojka	85
6	Uvedenie do prevádzky	85
7	Odstavenie z prevádzky	85
8	Ochrana životného prostredia/likvidácia odpadu	85
9	Údržba	85

1 Vysvetlenie symbolov a bezpečnostné pokyny

1.1 Vysvetlenie symbolov

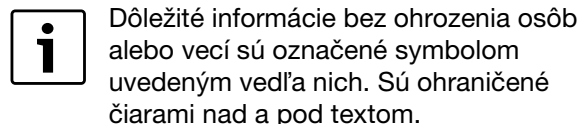
Výstražné upozornenia



Signálne výrazy uvedené na začiatku výstražného upozornenia označujú druh a intenzitu následkov v prípade nedodržania opatrení na odvrátenie nebezpečenstva.

- **UPOZORNENIE** znamená, že môže dôjsť k vecným škodám.
- **POZOR** znamená, že môže dôjsť k ľahkým až stredne ťažkým zraneniam osôb.
- **VAROVANIE** znamená, že môže dôjsť k ťažkým zraneniam.
- **NEBEZPEČENSTVO** znamená, že môže dôjsť k život ohrozujúcim zraneniam.

Dôležité informácie



Ďalšie symboly

Symbol	Význam
▶	Krok, ktorý je potrebné vykonať
→	Odkaz na iné miesta v dokumente alebo na iné dokumenty
•	Vymenovanie / položka v zozname
–	Vymenovanie / položka v zozname (2. úroveň)

Tab. 92

Vysvetlenie symbolov na obrázkoch od str. 99:



Spiatočka solárneho zariadenia



Výstup solárneho zariadenia



Spiatočka zásobníka



Výstup zo zásobníka

Tab. 93 Vysvetlenie symbolov na obrázkoch

1.2 Bezpečnostné pokyny

Inštalácia a prestavba

- ▶ **Nebezpečenstvo požiaru!** Spájkovanie a zváranie môže spôsobiť požiar, pretože tepelná izolácia je horľavá.
- ▶ Vyrovnávací zásobník nechajte nainštalovať alebo vykonanie jeho prestavby zadajte iba špecializovanej firme s oprávnením.

Funkcia

- ▶ Dodržujte pokyny uvedené v tomto návode na inštaláciu a údržbu, aby ste tak zaručili bezchybnú funkciu zariadenia.
- ▶ **Nebezpečenstvo obarenia!** Počas prevádzky vyrovnávacieho zásobníka sa môžu vyskytovať teploty vyššie ako 60 °C.

Údržba

- ▶ **Odporúčanie pre zákazníka:** Uzatvorte zmluvu o vykonávaní údržby a revízie so špecializovanou firmou s oprávnením.
- ▶ Používajte iba originálne náhradné diely!

Informovanie zákazníka

- ▶ Informujte prevádzkovateľa o používaní vyrovnávacieho zásobníka a osobitne ho upozornite na bezpečnostno-technické aspekty.
- ▶ Odovzdajte prevádzkovateľovi návod na inštaláciu a údržbu, aby si ho mohol odložiť v blízkosti vykurovacieho zariadenia.

2 Údaje o zariadení

2.1 Popis výrobku

Vyrovňavací zásobník sa dodáva kompletne zmontovaný. Je nutné namontovať tepelnú izoláciu a snímače teploty.

Existujú dva rôzne druhy vyrovnávacích zásobníkov (→ obr. 4, str. 101).

- **Vyrovňavací zásobník**
 - Logalux PR 500/750/1000-80
 - Logalux PR 500/750/1000-120
- **Vyrovňavací zásobník solárneho zariadenia**
 - Logalux PNR 500/750/1000-80 E(W)
 - Logalux PNR 500/750/1000-120 E(W)

Oba druhy zásobníkov sa dodávajú s tepelnou izoláciou z mäkkej PU peny s hrúbkou 80 mm alebo z vlny z polyesterových vlákien hrubej 120 mm.

Vyrovňavací zásobník je vyrobený z ocele a je vybavený napájaním spiatocky citlivým na teplotu.

Prostredníctvom prípojok pre vykurovací kotol a vykurovacie okruhy je možné začleniť krbovú vložku s výmenníkom tepla a kotol na pevné palivo.

Vyrovňavací zásobník solárneho zariadenia Logalux PNR má okrem toho aj prípojku pre solárne zariadenie a elektrickú vykurovaciu vložku (→ obr. 4, str. 101)

2.2 Rozsah dodávky

Všeobecné informácie o vyrovnávacom zásobníku

- Nádobu zásobníka
- Technická dokumentácia
- Tepelná izolácia
- Kryt zásobníka
- Horný a dolný kotúč tepelnej izolácie
- Upínacie pružinové plechy pre snímače teploty.

Vyrovňavací zásobník s 80 mm hrubou tepelnou izoláciou

- Tepelná izolácia pre pripojenie elektrickej vykurovacej vložky (iba PNR 500/750/1000-80 E(W))
- Rozety.

Vyrovňavací zásobník s 120 mm hrubou tepelnou izoláciou

- Tepelná izolácia pre pripojenie elektrickej vykurovacej vložky (iba PNR 500/750/1000-120 E(W))
- Záslepky.

2.3 Správne použitie

Vyrovňavacie zásobníky Logalux PR a vyrovnávacie zásobníky pre solárne zariadenia Logalux PNR sú

vďaka svojmu veľkému objemu určené na podporu vykurovania.

Vyrovňavacie zásobníky sa smú plniť iba vykurovacou vodou a prevádzkovať iba v uzavretých vykurovacích zariadeniach.

Vyrovňavacie zásobníky je možné používať nepriamo pomocou stanice na pitnú vodu.

2.4 Náradie, materiály a pomôcky

Na prepravu je vhodné použiť paletový vozík, vysokozdvížný vozík alebo žeriav.

Pri montáži potrebujete štandardné nástroje z oblasti inštalácie plynových a vodovodných zariadení.

2.5 Technické údaje

2.5.1 Rozmery a prípojky vyrovnávacích zásobníkov Logalux PR

Povolené maximálne hodnoty Logalux PR500/750/1000		
Prevádzkový tlak	bar	3
Prevádzková teplota vykurovacej vody	°C	110

Tab. 94 Povolené maximálne hodnoty PR

Rozmery a plošné zaťaženie		PR 500	PR 750	PR 1000
Rozmer pri sklopení	mm	1780	1740	1740
Celková hmotnosť naplneného zariadenia	kg	630	897	1176
Hmotnostné zaťaženie na podpernú nohu	kg	210	299	392

Tab. 95 Technické údaje Logalux PR

2.5.2 Rozmery a prípojky vyrovnávacích zásobníkov Logalux PNR pre solárne zariadenie

Povolené maximálne hodnoty Logalux PNR500/750/1000		
Prevádzkový tlak solárneho výmenníka tepla ¹⁾	bar	8
Prevádzkový tlak vykurovacej vody	bar	3
Prevádzková teplota výmenníka tepla solárneho systému	°C	160
Prevádzková teplota vykurovacej vody	°C	110

Tab. 96 Povolené maximálne hodnoty PNR

1) V závislosti od začlenenia do solárneho zariadenia je potrebné individuálne istenie (poistný ventil, expanzná nádoba).

Rozmery a plošné zaťaženie		PNR 500	PNR 750	PNR 1000
Rozmer pri sklopení	mm	1780	1790	2250
Celková hmotnosť naplneného zariadenia	kg	655	933	1215
Hmotnostné zaťaženie na podpernú nohu	kg	219	311	405

Tab. 97 Technické údaje Logalux PNR

Výmenník tepla solárneho systému		PNR 500	PNR 750	PNR 1000
Povrch	m ²	2,0	2,2	2,7
Objem	l	17	18	23

Tab. 98 Technické údaje Logalux PNR

3 Predpisy

Vyrovňavací zásobník nainštalujte a vybavte v zmysle miestnych noriem a smerníc.

Technické pravidlá pre inštaláciu vyrovňavacích zásobníkov (výber) platné v Nemecku:

Inštalácia a vybavenie vykurovacích zariadení a zariadení na ohrev pitnej vody

- DIN 4753, Časť 1: Ohrievače TÚV a zariadenia na ohrev pitnej a prevádzkovej vody; požiadavky, označovanie, výbava a skúška
- DIN 18 380: VOB¹⁾; Vykurovacie zariadenia a centrálna zariadenia na ohrev vody
- DIN 18 381: VOB¹⁾; Práce pri inštalácii plynových zariadení, zariadení pre rozvod vody a zariadení s odpadovou vodou v rámci budov.

Elektrická prípojka

- DIN VDE0100: Zriaďovanie silnoprúdových zariadení s menovitými napätiami do 1000 V
- VDE0190: Vyrovňavanie hlavného potenciálu elektrických zariadení
- DIN 18 382 VOB¹⁾: Elektrické káblové zariadenia a vedenia v budovách.

1) VOB: Nariadenie o zadávaní stavebných prác – časť C: Všeobecné technické zmluvné podmienky týkajúce sa stavebných prác (ATV)



V závislosti od miesta inštalácie (napr. v rôznych krajinách a regiónoch) môžu platiť doplňovacie alebo iné požiadavky (napr. požiadavky týkajúce sa pripojenia k rozvodnej sieti).

- ▶ Pri inštalácii a prevádzke vyrovňavacieho zásobníka a elektrickej vykurovacej vložky dodržujte predpisy, smernice a normy (napr. elektrárni) platné v príslušnej krajine alebo v príslušnom regióne.

4 Preprava



NEBEZPEČENSTVO: Ohrozenie života padajúcim bremenom!

- ▶ Používajte iba prepravné laná, ktoré sú v bezchybnom stave.
- ▶ Háky zachytávajúce iba za oká pre prepravu žeriavom určené na tento účel.



VAROVANIE: Nebezpečenstvo poranenia spôsobené nosením ťažkých bremien a neodborným zaistením počas prepravy!

- ▶ Používajte vhodné prepravné prostriedky, napr. vrecový vozík s upínacím popruhom.
- ▶ Zaistite vyrovňavací zásobník proti pádu.

- ▶ Preprava pomocou vrecového vozíka (→ obr. 5, str. 101)
- ▶ Preprava žeriavom (→ obr. 6, str. 101)

5 Montáž

5.1 Inštalácia zariadenia

5.1.1 Miestnosť s nainštalovaným zariadením



UPOZORNENIE: Nebezpečenstvo vzniku vecných škôd v dôsledku mrazu a korózie!

- ▶ Vyrovňavací zásobník nainštalujte do suchej miestnosti zabezpečenej proti mrazu.
- ▶ Používajte vyrovňavací zásobník iba v uzavretých systémoch.
- ▶ Nepoužívajte otvorené expanzné nádoby.

5.1.2 Umiestnenie vyrovňavacieho zásobníka

→ obr. 7, str. 102 a obr. 8, str. 102.

5.2 Hydraulická prípojka

V prípade vyrovnávacích zásobníkov s 80 mm hrubou tepelnou izoláciou je nutné namontovať potrubia až po tepelnej izolácii.

V prípade vyrovnávacích zásobníkov so 120 mm hrubou tepelnou izoláciou odporúčame potrubia namontovať pred inštaláciou izolácie.



NEBEZPEČENSTVO: Nebezpečenstvo požiaru v dôsledku spájkovania a zvárania!

- ▶ Pokiaľ je možné, vykonajte pájkovacie a zváracie práce pred montážou tepelnej izolácie.
- ▶ Pri spájkovaní a vykonávaní zváracích prác zabezpečte vhodné ochranné opatrenia, pretože tepelná izolácia je horľavá, (napr. zakryte tepelnú izoláciu).
- ▶ Po dokončení prác skontrolujte, či je tepelná izolácia neporušená.



UPOZORNENIE: Nebezpečenstvo vzniku vecných škôd v dôsledku netesných prípojok a prekročenia maximálnych hodnôt!

- ▶ Prípojovacie vedenia nainštalujte bez pnutia.
- ▶ Aby nedošlo k poškodeniu vyrovnávacieho zásobníka, dodržujte maximálne hodnoty (→ tab. 94, str. 82 a tab. 96, str. 82).

Aby ste predišli neškoršiemu poškodeniu vyrovnávacieho zásobníka:

- ▶ Použite inštalračný materiál odolný voči teplotám do 110 °C.
- ▶ V prípade prípojok solárneho zariadenia použite inštalračný materiál odolný voči teplotám do 135 °C.
- ▶ Všetky prípojovacie vedenia k zásobníku zrealizujte ako skrutkové spoje (príp. s uzatváracím ventilom).
- ▶ V najnižšom bode spodnej prípojky namontujte na mieste inštalračie zariadenia vypúšťací kohút.

Skúška tesnosti

→ obr. 10, str. 103.

5.3 Montáž snímača teploty

→ obr. 9, str. 102:

- ▶ Kontaktné plochy natrite tepelne vodivou pastou.
- ▶ Snímač teploty vložte do pružinového držiaka tak, aby celá kontaktná plocha snímača teploty zvonku hladko priliehala k nádobe zásobníka.



Dajte pozor nato, aby bol zabezpečený kontakt plochy snímača s plochou plášťa zásobníka po celej jeho dĺžke.

- ▶ Označte káble snímača teploty na ich koncoch.

- ▶ Kábel snímača starostlivo uložte smerom do regulátora tak, aby bolo možné namontovať izoláciu.

5.4 Montáž tepelnej izolácie



Tepelná izolácia sa dá optimálne namontovať pri cca. 15 °C. Miernym poklopaním na tepelnú izoláciu v smere ku koncom uzáverov si uľahčíte jej spojenie na oboch koncoch.



Logalux PNR

Ak používate elektrickú vykurovaciu vložku, tak pre jej pripojenie a zakrytie nepotrebuje tepelnú izoláciu.

5.4.1 Montáž 80 mm hrubej tepelnej izolácie

→ obr. 11, str. 103.

5.4.2 Montáž 120 mm hrubej tepelnej izolácie



Odporúčam Vám zrealizovať inštaláciu a skúšku tesnosti pred montážou tepelnej izolácie.

→ obr. 12, str. 103.

5.5 Montáž ponorného puzdra (voliteľné príslušenstvo)



Logalux PR

Na zadnej strane vyrovnávacieho zásobníka sa nachádza hrdlo určené na utesnenie ponorného puzdra na mieste jeho inštalácie. Sem je možné namontovať ponorné puzdro pre snímač teploty (→ obr. 9, str. 102).

- ▶ Za účelom merania a kontroly teploty teplej vody vo vyrovnávacom zásobníku namontujte na mieste merania snímač teploty.
- ▶ Zastrčte snímač teploty so zvieracou pružinou do ponorného puzdra.

5.6 Elektrická prípojka



NEBEZPEČENSTVO: Nebezpečenstvo ohrozenia života elektrickým prúdom!

- ▶ Zabezpečte, aby elektroinštalačné práce vykonal iba špecializovaný elektroinštalatér s oprávnením.
- ▶ Pred otvorením regulátora vypnite el. napájanie vykurovacieho zariadenia pomocou núdzového vypínača vykurovania a odpojte ho od elektrickej siete pomocou domovej poistky.
- ▶ Zabezpečte vykurovacie zariadenie proti neúmyselnému opätovnému zapnutiu.

- ▶ Prived'te káble snímača do regulátora.
- ▶ Pripojte káble snímača – dodržujte pritom návod na inštaláciu regulátora.

6 Uvedenie do prevádzky



UPOZORNENIE: Nebezpečenstvo vzniku vecných škôd v dôsledku nesprávne nastaveného tlaku na strane vykurovacej vody!

- ▶ Dodržujte maximálne povolené hodnoty (→ tab. 94, str. 82 a tab. 96, str. 82).

Zariadenie musí uviesť do prevádzky zhotoviteľ vykurovacieho zariadenia alebo poverený servisný technik.

- ▶ Skontrolujte tesnosť všetkých prípojok.
- ▶ Uved'te vykurovacie zariadenie do prevádzky – dodržujte pritom návody na inštaláciu a obsluhu regulátora, zdroja tepla a solárneho zariadenia.

7 Odstavenie z prevádzky



NEBEZPEČENSTVO: Nebezpečenstvo obarenia horúcou vodou!

- ▶ Nechajte vyrovnávací zásobník po jeho odstavení z prevádzky dostatočne vychladnúť.



UPOZORNENIE: Poškodenie zásobníka mrazom!

Ak počas Vašej neprítomnosti hrozí nebezpečenstvo mrazu, odporúčame Vám nechať vyrovnávací zásobník v prevádzke, alebo ho odstaviť z prevádzky a vypustiť.

- ▶ Odstavte vykurovacie zariadenie z prevádzky – dodržujte pritom návody na inštaláciu a obsluhu regulátora, zdroja tepla a solárneho zariadenia.
- ▶ Otvorte vypúšťací ventil zariadenia.
- ▶ Aby ste zariadenie zavzdušnili, otvorte odvzdušňovací ventil.
- ▶ Úplne vypustite vyrovnávací zásobník a nechajte ho zvnútra vyschnúť.

8 Ochrana životného prostredia/likvidácia odpadu

Ochrana životného prostredia je základným princípom skupiny Bosch.

Kvalita výrobkov, hospodárnosť a ochrana životného prostredia sú pre nás rovnako dôležité ciele. Prísne dodržiavame zákony a predpisy o ochrane životného prostredia. Používaním špičkovej techniky a materiálov pri výrobe prispievame k ochrane životného prostredia.

Balenie

Čo sa týka balenia, v jednotlivých krajinách sa zúčastňujeme na systémoch opätovného zhodnocovania odpadov, ktoré zaisťujú optimálnu recykláciu. Všetky použité obalové materiály sú ekologické a recyklovateľné.

Staré zariadenie

Staré zariadenia obsahujú materiály, ktoré je možné opätovne využiť.

Konstruktívne celky sa dajú jednoducho separovať a plasty sú označené. Tak je možné roztriediť rôzne konštrukčné celky a materiál odviezť na ďalšiu recykláciu alebo likvidáciu.

9 Údržba

Okrem vizuálnych kontrol nie je nutné vykonávať žiadnu špeciálnu údržbu ani čistenie vyrovnávacích zásobníkov.

- ▶ Raz za rok skontrolujte, či sú všetky prípojky utesnené.
- ▶ Privolajte špecializovanú firmu s oprávnením a nahláste poruchu a údaje o prístroji.

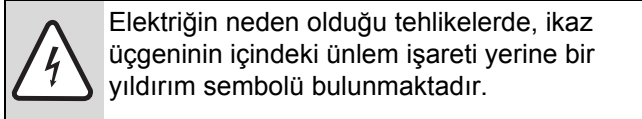
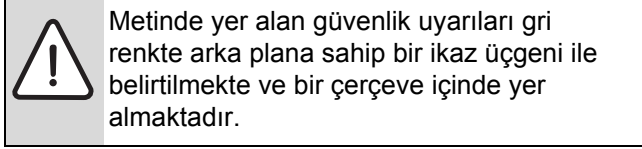
İçindekiler

1 Sembol Açıklamaları ve Emniyetle İlgili Bilgiler	87
1.1 Sembol Açıklamaları	87
1.2 Emniyetle İlgili Bilgiler	87
2 Cihazla ilgili Bilgiler	88
2.1 Ürün Tanıtımı	88
2.2 Sevkiyat kapsamı	88
2.3 Kurallara uygun kullanım	88
2.4 Aletler ve Yardımcı Malzemeler	88
2.5 Teknik Veriler	88
2.5.1 Logalux PR depo boylerinin ölçüleri ve bağlantıları	88
2.5.2 Logalux PNR güneş enerjisi depo boylerinin ölçüleri ve bağlantıları	88
3 Yönetmelikler	89
4 Taşıma	89
5 Montaj	89
5.1 Kurulum	89
5.1.1 Kazan dairesi	89
5.1.2 Depo boylerin yerleştirilmesi	89
5.2 Hidrolik bağlantı	89
5.3 Sıcaklık sensörünün monte edilmesi	90
5.4 Isı İzolasyonunun Monte Edilmesi	90
5.4.1 80 mm'lik ısı izolasyonunun monte edilmesi	90
5.4.2 120 mm'lik ısı izolasyonunun monte edilmesi	90
5.5 Daldırma sensör kovanının monte edilmesi (opsiyonel)	90
5.6 Elektrik bağlantısı	90
6 İşletmeye Alınması	91
7 İşletim Dışı Bırakılması	91
8 Çevre Koruma/Atık Yok Etme	91
9 Bakım	91

1 Sembol Açıklamaları ve Emniyetle İlgili Bilgiler

1.1 Sembol Açıklamaları

İkaz İşaretleri



Bir güvenlik uyarısının başlangıcındaki ikaz kelimeleri, hasarların önlenmesine yönelik tedbirlere uyulmaması halinde ortaya çıkabilecek tehlikelerin türlerini ve boyutlarını belirtmektedir.

- **UYARI:** Hasarların oluşabileceğini gösterir.
- **DİKKAT:** İnsanlar için hafiften orta ağırlığa kadar kişisel yaralanmaların meydana gelebileceğini gösterir.
- **İKAZ:** Ağır yaralanmaların meydana gelebileceğini gösterir.
- **TEHLİKE:** Ölümcül ağır yaralanmaların meydana gelebileceğini gösterir.

Önemli Bilgiler

i İnsanlar için tehlikelerin veya maddi hasar tehlikesinin söz konusu olmadığı önemli bilgiler yanda gösterilen sembol ile belirtilmektedir. Metnin altında ve üstünde bulunan çizgilerle sınırlanırlar.

Diğer semboller

Sembol	Anlamı
▶	İşlem adımı
→	Doküman içinde başka yerlere veya başka dokümanlara çapraz başvuru
•	Sayma/liste maddesi
–	Sayma/liste maddesi (2. seviye)

Tab. 99

Şekillerdeki sembollerin açıklaması, Sayfa 99:



Tab. 100 Şekiller için sembol açıklaması

1.2 Emniyetle İlgili Bilgiler

Yerleşim ve tadilat

- ▶ **Yangın tehlikesi!** Isı izolasyonu yanabilir özellikte olduğundan yakınında yapılacak lehim ve kaynak işleri yangına neden olabilir.
- ▶ Depo boyların yerleşimi ve tadilat işleri sadece yetkili servise yaptırılmalıdır.

Fonksiyon

- ▶ Boylaların sorunsuz bir şekilde çalışmasını sağlayabilmek için bu montaj ve bakım kılavuzuna uyunuz.
- ▶ **Haşlanma tehlikesi!** Depo boyların çalışması sırasında kullanım suyu sıcaklıkları 60 °C'nin üzerine çıkabilir.

Bakım sırasında

- ▶ **Kullanıcılara öneri:** Yetkili bir servis ile yıllık kontrol ve gerekli hallerde bakım yapılmasını içeren bir kontrol ve bakım sözleşmesi yapın.
- ▶ Sadece orijinal yedek parçalar kullanın!

Kullanıcının Bilgilendirilmesi

- ▶ Kullanıcıyı depo boylarının kullanımı ile ilgili olarak bilgilendirin ve özellikle de emniyet ile ilgili noktaları açıklayın.
- ▶ Bu montaj ve bakım kılavuzunu gerektiğinde faydalanmak üzere saklaması için işletme sorumlusuna verin.

2 Cihazla ilgili Bilgiler

2.1 Ürün Tanıtımı

Depo boyler komple olarak sevk edilmektedir. Isı izolasyonunun ve sıcaklık sensörlerinin monte edilmesi gereklidir.

İki tip depo boyler bulunmaktadır
(→ Şekil 4, Sayfa 101).

- **Depo boyler**
 - Logalux PR 500/750/1000-80
 - Logalux PR 500/750/1000-120
- **Güneş enerjisi depo boyleri**
 - Logalux PNR 500/750/1000-80 E(W)
 - Logalux PNR 500/750/1000-120 E(W)

Her iki boyler türünün, 80 mm PU yumuşak köpük ısı izolasyonlu veya 120 mm polyester elyaf ısı izolasyonlu olmak üzere iki farklı versiyonu bulunmaktadır.

Depo boyler çelikten imal edilmiştir ve sıcaklığa duyarlı bir geri dönüş beslemesi ile donatılmıştır.

Isıtma kazanı ve ısıtma devreleri için olan bağlantılar üzerinden bir su devreli şömine İ veya katı yakıtlı bir kazana bağlamak mümkündür.

Güneş enerjisi depo boyleri Logalux PNR, bir güneş enerjisi ve bir daldırma tip elektrikli ısıtıcı için ilave bir bağlantı noktasına sahiptir (→ Şekil 4, Sayfa 101).

2.2 Sevkiyat kapsamı

Depo boyler, genel

- Boyler
- Teknik dokümanlar
- İzolasyon
- Boyler kapağı
- Üst ve alt ısı izolasyon parçaları
- Sıcaklık sensörleri için yaylı kelepçeler

80 mm'lik ısı izolasyonuna sahip depo boyler

- Daldırma tip Elektrikli ısıtıcı bağlantısı için ısı izolasyonu (sadece PNR 500/750/1000-80 E(W))
- Bağlantı parçaları

120 mm'lik ısı izolasyonuna sahip depo boyler

- Daldırma tip Elektrikli ısıtıcı bağlantısı için ısı izolasyonu (sadece PNR 500/750/1000-120 E(W))
- Bağlantı parçaları

2.3 Kurallara uygun kullanım

Logalux PR depo boyleri ve Logalux PNR güneş enerjisi depo boyleri, sahip oldukları büyük hacim sayesinde ısıtma sistemini desteklemek amacıyla depo boyler olarak kullanılmak üzere tasarlanmıştır.

Depo boylerler sadece tesisat suyu ile doldurulmalı ve kapalı ısıtma tesisatlarında kullanılmalıdır

Depo boylerler, kullanım suyu kat istasyonları ile kullanım sıcak suyu üretmek amacıyla da kullanılabilir.

2.4 Aletler ve Yardımcı Malzemeler

Taşıma işlemi için bir transpalet, forklift veya vinç kullanılabilir.

Montaj için gaz ve su tesisatçılarının kullandığı standart aletler gereklidir.

2.5 Teknik Veriler

2.5.1 Logalux PR depo boylerinin ölçüleri ve bağlantıları

Müsaade edilen maks. değerler Logalux PR500/750/1000		
Maksimum İşletim basıncı	bar	3
Maksimum Isıtma suyu işletme sıcaklığı	°C	110

Tab. 101 Müsaade edilen maks. değerler PR

Ölçüler ve yüklenme alanı		PR 500	PR 750	PR 1000
Devirme ölçüsü	mm	1780	1740	1740
Dolu ağırlık	kg	630	897	1176
Ayak başına düşen ağırlık	kg	210	299	392

Tab. 102 Logalux PR ile İlgili Teknik Veriler

2.5.2 Logalux PNR güneş enerjisi depo boylerinin ölçüleri ve bağlantıları

Müsaade edilen maks. değerler Logalux PNR500/750/1000		
Maksimum Güneş enerjisi serpantini işletme basıncı ¹⁾	bar	8
Maksimum Isıtma suyu işletim basıncı	bar	3
Maksimum Güneş enerjisi serpantini işletme sıcaklığı	°C	160
Maksimum Isıtma suyu işletme sıcaklığı	°C	110

Tab. 103 Müsaade edilen maks. değerler PNR

1) Güneş enerjisi sistemine bağlantı şekline göre teker teker emniyete alınmalıdır (emniyet ventili, genleşme kabı).

Ölçüler ve yükleme alanı		PNR 500	PNR 750	PNR 1000
Devirme ölçüsü	mm	1780	1790	2250
Dolu ağırlık	kg	655	933	1215
Ayak başına düşen ağırlık	kg	219	311	405

Tab. 104 Logalux PNR ile İlgili Teknik Veriler

Güneş enerjisi serpantini		PNR 500	PNR 750	PNR 1000
Yüzey	m ²	2,0	2,2	2,7
Hacmi	l	17	18	23

Tab. 105 Logalux PNR ile İlgili Teknik Veriler

3 Yönetmelikler

Depo boyler, Türkiye'de geçerli normlara ve talimatlara uygun olarak monte edilip donatılmalıdır.



Kurulumun yapıldığı ülkeye ve bölgeye bağlı olarak farklı veya tamamlayıcı yönetmeliklerin (örn. şebeke bağlantısı ile ilgili gereklilikler) geçerli olması mümkündür.

- ▶ Depo boylerin ve elektrikli ısıtıcının montajı ve çalıştırılmasıyla ilgili ülkeye, bölgeye özgü yönetmeliklere, direktiflere ve standartlara (örn. elektrik dağıtım kurumunun) uyulmalıdır.

4 Taşıma



TEHLİKE: Yüklenmiş malzemelerin düşme ihtimali nedeniyle hayati tehlike söz konusudur!

- ▶ Sadece sağlam taşıma halatları kullanın.
- ▶ Kancaları sadece bu iş için öngörülmuş olan vinç halkalarına asın.



İKAZ: Taşınan malzemenin yeterli şekilde emniyete alınmaması hasarların meydana gelmesine neden olabilir!

- ▶ Uygun bir taşıma aracı, örneğin güvenlik kayışlı bir el arabası kullanın.
- ▶ Düşmesini önlemek için depo boylerini emniyete alın.

- ▶ El arabası ile taşınması (→ Şekil 5, Sayfa 101)
- ▶ Vinç ile taşınması (→ Şekil 6, Sayfa 101)

5 Montaj

5.1 Kurulum

5.1.1 Kazan dairesi



UYARI: Donma ve korozyon, maddi hasarların meydana gelmesine neden olabilir!

- ▶ Depo boyler, donmaya karşı korumalı ve kuru bir odaya yerleştirilmelidir.
- ▶ Depo boyler, sadece kapalı ısıtma tesisatlarında kullanılmalıdır.
- ▶ Açık tip genişleme tankları ile birlikte kullanılmamalıdır.

5.1.2 Depo boylerin yerleştirilmesi

→ Şekil 7, Sayfa 102 ve Şekil 8, Sayfa 102.

5.2 Hidrolik bağlantı

80 mm'lik ısı izolasyonuna sahip depo boylerlerinde boru tesisatının montajı, ısı izolasyonu takıldıktan sonra yapılmalıdır.

120 mm'lik ısı izolasyonuna sahip depo boylerlerinde, boru tesisatının montajını ısı izolasyonunu takmadan önce yapmanızı öneririz.



TEHLİKE: Lehim ve kaynak işlemleri nedeniyle yangın tehlikesi vardır!

- ▶ Lehim ve kaynak işlemleri ısı izolasyonu monte edilmeden önce yapılmalıdır.
- ▶ Isı izolasyonu yanıcı özellikte olduğundan lehim ve kaynak işlemleri sırasında uygun koruyucu tedbirler alın (örn. ısı izolasyonunun üzerini örtün).
- ▶ Bu çalışmalar tamamlandıktan sonra ısı izolasyonunda herhangi bir zarar meydana gelip gelmediğini kontrol edin.



UYARI: Sızdıran bağlantılar ve maks. değerlerin aşılması maddi hasarların meydana gelmesine neden olabilir!

- ▶ Tüm Bağlantı borularını gerginlik oluşmayacak şekilde monte edin.
- ▶ Depo boylerin hasar görmemesi için maks. değerlere (→ Tab. 101, Sayfa 88 ve Tab. 103, Sayfa 88) uyun.

Depo boylerde sonradan hasar oluşmaması için aşağıda belirtilenleri dikkate alın:

- ▶ Kullanılan tesisat malzemeleri 110 °C'ye kadar dayanıklı olmalıdır.
- ▶ Güneş enerjisi bağlantılarında, 135 °C'ye kadar dayanıklı olan tesisat malzemesi kullanın.
- ▶ Sıcak su boylerindeki bağlantı borularına, gerekiyorsa kapatma vanası olarak rakor takılmalıdır.
- ▶ Alt bağlantının en alçaktaki bölümüne uygulayıcı tarafından bir boşaltma musluğu monte edilmelidir.

Sızdırmazlık Kontrolü

→ Şekil 10, Sayfa 103.

5.3 Sıcaklık sensörünün monte edilmesi

→ Şekil 9, Sayfa 102:

- ▶ Temas yüzeylerine ısı transfer macunu tatbik edin.
- ▶ Sıcaklık sensörünü, sensörün tüm temas yüzeyi boylere dışarıdan düz olarak dayanacak şekilde yaylı tutucuya yerleştirin.



Sensör yüzeyinin boyler dış yüzeyi ile tam olarak temas etmesine dikkat edin.

- ▶ Sıcaklık sensörü kablolarının uçlarına uygun işaretler koyun.
- ▶ Sensör kablolarını ısı izolasyonu takılabilecek şekilde dikkatlice kumanda paneline kadar döşeyin.

5.4 Isı İzolasyonunun Monte Edilmesi



Isı izolasyonunu monte etmek için en uygun çevre sıcaklığı yakl. 15 °C'dir. Isı izolasyon kaplamasının kenarlarına doğru hafifçe vurulması her iki ucun bir araya getirilmesini kolaylaştırmaktadır.



Logalux PNR

Bir daldırma tip elektrikli ısıtıcı kullandığınızda, elektrikli ısıtıcı bağlantısı için ısı izolasyonuna ve muhafaza kapağına ihtiyaç yoktur.

5.4.1 80 mm'lik ısı izolasyonunun monte edilmesi

→ Şekil 11, Sayfa 103.

5.4.2 120 mm'lik ısı izolasyonunun monte edilmesi



Isı izolasyonunu, montaj çalışmaları ve sızdırmazlık kontrolü tamamlandıktan sonra monte etmenizi öneririz.

→ Şekil 12, Sayfa 103.

5.5 Daldırma sensör kovanının monte edilmesi (opsiyonel)



Logalux PR

Depo boylerin arka yüzünde, uygulayıcı tarafından daldırma sensör kovanının sızdırmaz hale getirilmesi için bir manşon yer almaktadır. Buraya, sıcaklık sensörü için bir daldırma sensör kovani monte edilebilir (→ Şekil 9, Sayfa 102).

- ▶ Depo boylerinde kullanım suyu sıcaklığını ölçmek ve denetlemek için sıcaklık sensörünü sensör yuvasına monte edin.
- ▶ Sıcaklık sensörünü yaylı tutucu ile birlikte daldırma sensör kovanına sokun.

5.6 Elektrik bağlantısı




TEHLİKE: Elektrik akımı nedeniyle hayati tehlike!

- ▶ Elektrikle ilgili çalışmaların sadece yetkili bir elektrik tesisatçısı tarafından yapılmasını sağlayın.
- ▶ Kumanda panelini açmadan önce ısıtma tesisatının gerilim beslemesini acil kapatma şalteri ile kesin ve bina sigortası ile elektrik şebekesinden ayırın.
- ▶ Isıtma sistemini yanlışlıkla tekrar bağlantıya karşı emniyete alın.

- ▶ Sensör kablolarını kumanda paneline kadar döşeyin.

- Kumanda panelinin montaj kılavuzunu dikkate – alarak sensör kablolarının elektrik bağlantısını yapın.

6 İşletmeye Alınması




UYARI: Isıtma suyu tarafında yanlış ayarlanan basınç nedeniyle maddi hasar meydana gelebilir!

- Müsaade edilen maks. değerleri dikkate alın (→ Tab. 101, Sayfa 88 ve Tab. 103, Sayfa 88).

İşletmeye alma çalışmaları yetkili servis tarafından gerçekleştirilmelidir.


- Tüm bağlantıların sızdırmazlıklarını kontrol edin.
- Isıtma tesisini işletmeye alın – ; bu kapsamda kumanda panelinin, ısıtma cihazının ve güneş enerjisi tesisatının montaj ve kullanma kılavuzunu dikkate alın.

7 İşletim Dışı Bırakılması



TEHLİKE: Sıcak su nedeniyle haşlanma tehlikesi!

- Depo boylerini devreden çıkarttıktan sonra yeterli bir süre soğumaya bırakın.



UYARI: Don nedeniyle boylerde hasar meydana gelme tehlikesi vardır!

Donma tehlikesi bulunan bir dönemde evde bulunmayacağınız zaman, depo boylerini çalışır durumda bırakmanızı veya devre dışı bırakarak boşlatmanızı öneririz.

- Isıtma tesisatını devreden çıkarın – bu kapsamda kumanda panelinin, ısıtma cihazının ve güneş enerjisi tesisatının montaj ve kullanma kılavuzunu dikkate alın.
- Tesisatın boşaltma musluğunu açın.
- Havayı boşaltmak hava purjörünü açın.
- Depo boyleri komple boşaltın ve iç bölümünü kurutun.

8 Çevre Koruma/Atık Yok Etme

Çevre koruma, Bosch Şirketler Grubu'muzda temel bir şirket prensibidir.

Ürünlerin kalitesi, ekonomiklik ve çevre koruma, bizler için aynı önem seviyesindedir. Çevre koruması hakkındaki tüm yasalara ve yönetmeliklere büyük bir titizlikle uyarız. Çevrenin korunması için bizler, ekonomik olmayı dikkate alarak, mümkün olan en iyi teknolojiyi ve malzemeyi kullanmaya özen gösteririz.

Ambalaj

Ürünlerin paketlenmesinde, optimum bir geri kazanıma (Recycling) imkan sağlayan, ülkeye özel geri kazandırma sistemleri kullanılmaktadır. Kullandığımız tüm paketleme malzemeleri çevreye zarar vermeyen, geri kazanımlı malzemelerdir.

Eski Cihazlar

Eski cihazlarda yeniden değerlendirilebilecek (geri kazanabilecek) malzemeler mevcuttur.

Cihazların yapı grupları kolaylıkla ayrılabilir ve plastik malzemeler işaretlenmiştir. Böylelikle farklı grupları ayrıştırılabilir ve geri kazanıma veya etkisizleştirilmeye yönlendirilebilir.

9 Bakım

Depo boylerlerinde, görsel kontroller dışında özel bakım ve temizlik çalışmaları yapılmasına ihtiyaç yoktur.

- Yılda bir kez tüm bağlantılarda görsel olarak sızdırmazlık kontrolü yapın. Yetkili servisi arayın, arızayı ve cihaz bilgilerini belirtin.

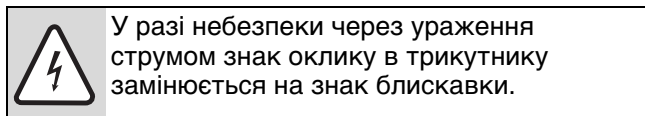
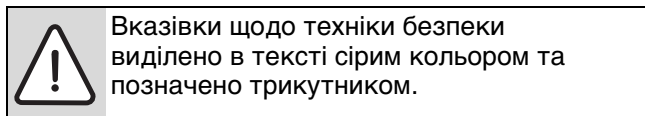
Зміст

1	Пояснення символів з техніки безпеки . .	93
1.1	Пояснення символів	93
1.2	Техніка безпеки	93
2	Дані про прилад	94
2.1	Опис виробу	94
2.2	Комплект поставки	94
2.3	Правила використання	94
2.4	Інструменти, матеріали та допоміжні засоби	94
2.5	Технічні дані	94
2.5.1	Розміри та патрубки буферного бойлера Logalux PR	94
2.5.2	Розміри та патрубки елементів та підключень геліоколекторів буферного геліобойлера Logalux PNR	94
3	Настанови	95
4	Транспортування	95
5	Монтаж	95
5.1	Розташування	95
5.1.1	Приміщення для установки	95
5.1.2	Установлення буферного бойлера	96
5.2	Гідравлічне підключення	96
5.3	Монтаж температурного датчика	96
5.4	Установлення теплоізоляції	96
5.4.1	Установлення теплоізоляції товщиною 80 мм	96
5.4.2	Установлення теплоізоляції товщиною 120 мм	96
5.5	Монтаж заглибленої гільзи (необов'язково)	96
5.6	Електричне під'єднання	97
6	Введення в експлуатацію	97
7	Виведення з експлуатації	97
8	Захист навколишнього середовища/ утилізація	98
9	Обслуговування	98

1 Пояснення символів з техніки безпеки

1.1 Пояснення символів

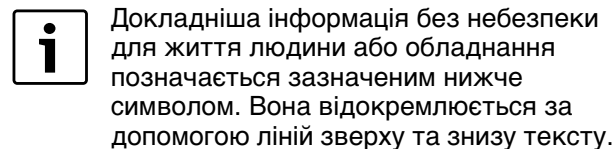
Вказівки щодо техніки безпеки



Попереджувальні слова на початку застережної вказівки позначають вид та тяжкість наслідків, якщо заходи щодо запобігання небезпеки не виконуються.

- **УВАГА** означає, що є ймовірність пошкоджень обладнання.
- **ОСТОРОЖНО** означає що може виникнути ймовірність людських травм середнього ступеню.
- **ПОПЕРЕДЖЕННЯ** означає, що здоров'ю людей може бути завдана значна шкода.
- **НЕБЕЗПЕКА** означає, що є вірогідність виникнення тяжких людських травм.

Важлива інформація

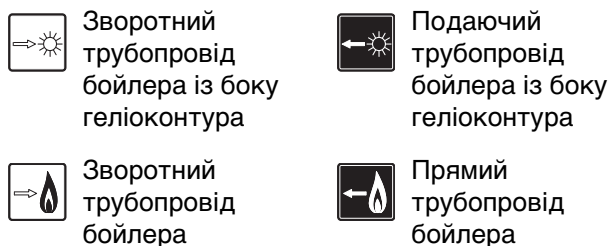


Інші символи

Символ	Значення
▶	Крок дії
→	Посилання на інше місце в документі або інші документи
•	Перелік/запис у таблиці
–	Перелік/запис у таблиці (2-ий рівень)

Таб. 106

Пояснення позначень до рисунків на сторінці 99:



Таб. 107 Пояснення позначень до рисунків

1.2 Техніка безпеки

Установлення та монтаж

- ▶ **Небезпека пожежі!** Паяльні та зварювальні роботи можуть призвести до пожежі, оскільки теплоізоляція легкозаймиста.
- ▶ Буферний бойлер можуть встановлювати або монтувати лише фахівці спеціалізованого підприємства.

Функція

- ▶ Щоб забезпечити безперебійну роботу функцій, дотримуйтеся інструкцій посібника з монтажу та техобслуговування.
- ▶ **Загроза опіку гарячою водою!**
- ▶ Під час експлуатації буферного бойлера температура може досягти понад 60 °C.

Обслуговування

- ▶ **Рекомендація клієнтові:** укладіть договір на технічне обслуговування зі спеціалізованим центром.
- ▶ Використовувати лише оригінальні запчастини!

Вказівки клієнту

- ▶ Повідомте користувача про те, як користуватися буферним бойлером, а також укажіть йому основні пункти правил техніки безпеки.
- ▶ Передайте користувачеві інструкцію з установки та техобслуговування, що має зберігатися біля опалювальної установки.

2 Дані про прилад

2.1 Опис виробу

Буферний бойлер постачається повністю зібраним. Слід установити теплоізоляцію та температурні датчики.

Буферні бойлери є двох типів (→ Мал. 4, стор. 101).

- **Буферний бак-акумулятор**
 - Logalux PR 500/750/1000-80
 - Logalux PR 500/750/1000-120
- **Буферний геліобойлер**
 - Logalux PNR 500/750/1000-80 E(Вт)
 - Logalux PNR 500/750/1000-120 E(Вт)

Обидва бойлери мають теплоізоляцію з м'якої поліуретанової піни (80 мм) або з поліефірного волокна (120 мм).

Буферний бойлер виготовлено зі сталі, і оснащений стратифікаційною трубкою для для пошарового розподілу води зворотної лінії.

До патрубків опалювального котла та опалювального контуру можна приєднати камін з водяним контуром або котел на твердому паливі.

Буферний геліобойлер Logalux PNR має додатковий вихід для приєднання сонячної установки та електричного нагрівального елемента (→ Мал. 4, стор. 101).

2.2 Комплект поставки

Загальна комплектація баків акумуляторів

- Резервуар бойлера
- Технічна документація
- Теплоізоляція
- Кришка бойлера
- Верхній та нижній круги теплоізоляції
- Пластина пружинного затискача для температурного датчика

Буферний геліобойлер із теплоізоляцією 80 мм

- Теплоізоляція для приєднання комплекта електричного нагрівача (лише PNR 500/750/1000-80 E(Вт))
- для місць підключення.

Буферний геліобойлер із теплоізоляцією 120 мм

- Теплоізоляція для приєднання комплекта електричного нагрівача (лише PNR 500/750/1000-120 E(Вт))
- Ущільнювачі.

2.3 Правила використання

Через свої об'єми буферні бойлери Logalux PR і буферні геліобойлери Logalux PNR використовуються для підтримки системи опалення.

Буферний бойлер можна дозаповнювати водою та експлуатувати лише для закритих опалювальних установок.

Буферний бойлер можна використовувати для підігрівання питної води через зовнішній теплообмінник непрямого нагріву.

2.4 Інструменти, матеріали та допоміжні засоби

Для транспортування можна використовувати візки, автонавантажувач або кран.

Для монтажу потрібні стандартні інструменти, які застосовуються для установки газопроводів і водопроводів.

2.5 Технічні дані

2.5.1 Розміри та патрубки буферного бойлера Logalux PR

Допустимі максимальні значення Logalux PR500/750/1000		
Робочий тиск	бар	3
Робочий діапазон температури гарячої води	°C	110

Таб. 108 Допустимі максимальні значення PR

Габарити та питоме навантаження		PR 500	PR 750	PR 1000
Розмір з монтажними припусками	мм	1780	1740	1740
Загальна вага заповненого бойлера	кг	630	897	1176
Навантаження на кожну стійку	кг	210	299	392

Таб. 109 Технічні дані Logalux PR

2.5.2 Розміри та патрубки елементів та підключень геліоколекторів буферного геліобойлера Logalux PNR

Допустимі максимальні значення Logalux PNR500/750/1000		
Робочий тиск теплообмінника ¹⁾	бар	8
Максимальний робочий тиск гарячої води	бар	3
Робоча температура в теплообміннику геліоконтурі	°C	160
Робочий діапазон температури гарячої води	°C	110

Таб. 110 Допустимі максимальні значення PNR

1) Залежно від геліоустановки необхідні окремі засоби захисту (запобіжний клапан, розширювальний бак).

Габарити та питоме навантаження		PNR 500	PNR 750	PNR 1000
Розмір з монтажними припусками	мм	1780	1790	2250
Загальна вага заповненого бойлера	кг	655	933	1215
Навантаження на кожну стійку	кг	219	311	405

Таб. 111 Технічні дані Logalux PNR

Теплообмінник геліоконтур		PNR 500	PNR 750	PNR 1000
Площа	м ²	2,0	2,2	2,7
Об'єм заповнення	л	17	18	23

Таб. 112 Технічні дані Logalux PNR

3 Наставови

Установлюйте та оснащуйте буферний бойлер відповідно до місцевих норм і директив.

Технічні норми в Німеччині для установки буферних бойлерів (вибір)

Установка й обладнання опалювальних систем і установок для підігріву питної води

- DIN 4753, частина 1: Водонагрівачі та прилади для нагрівання питної та технічної води; вимоги, маркування, оснащення та перевірка
- DIN 18 380: VOB¹⁾; опалювальні установки та центральні водонагрівальні прилади
- DIN 18 381, VOB¹⁾; Роботи з проведення газу, води та відведення стічних вод усередині будівель.

Електричне під'єднання

- DIN VDE0100: Встановлення силових установок з номінальною напругою до 1000 В
- VDE0190: Шина для зрівнювання потенціалів у електричних приладах
- DIN 18 382 VOB¹⁾: Електричні кабелі й електропроводка в будівлях.

1) VOB: порядок проведення будівельних робіт - частина С: Загальні технічні умови договору для будівельних робіт (ATV)



Залежно від місця установки (наприклад, в різних країнах або регіонах) можуть діяти додаткові або інші вимоги (наприклад, вимоги до підключення до електромережі).

- ▶ Під час установки й експлуатації буферного бойлера та електронагрівального елемента слід дотримуватися приписів, положень і норм, які діють у країні та регіоні (наприклад, для блоку живлення).

4 Транспортування



НЕБЕЗПЕКА: Небезпека для життя через вантаж, що падає!

- ▶ Використовувати лише транспортувальні троси, які знаходяться у бездоганному стані.
- ▶ Зачіпляти гачки тільки за призначені вушка.



ПОПЕРЕДЖЕННЯ: Небезпека травмування через перенесення важких предметів і неналежний захист під час транспортування!

- ▶ Використовувати відповідні засоби транспортування, наприклад ручку для котла або візок із натяжним ременем.
- ▶ Оберігати буферний бойлер від падіння.

- ▶ Транспортування за допомогою візка (→ Мал. 5, стор. 101)
- ▶ Транспортування за допомогою крана (→ Мал. 6, стор. 101)

5 Монтаж

5.1 Розташування

5.1.1 Приміщення для установки



УВАГА: Пошкодження внаслідок низьких температур і корозії!

- ▶ Установлюйте буферний бойлер у сухому та захищеному від морозу приміщенні.
- ▶ Використовуйте буферний бойлер лише в закритих системах.
- ▶ Не використовуйте відкриті розширювальні резервуари.

5.1.2 Установлення буферного бойлера

→ Мал. 7, стор. 102 і мал. 8, стор. 102.

5.2 Гідравлічне підключення

У буферному бойлері з теплоізоляцією 80 мм труби слід приєднувати після установки теплоізоляції. У буферному бойлері з теплоізоляцією 120 мм варто приєднувати труби перед установкою теплоізоляції.



НЕБЕЗПЕКА: Небезпека виникнення пожежі через паяльні та зварювальні роботи!

- ▶ За можливості проводити паяльні та зварювальні роботи перед монтажем теплоізоляції.
- ▶ Під час паяльних і зварювальних робіт слід дотримуватися відповідних заходів безпеки, оскільки ізоляційний матеріал легкозаймистий (зокрема теплоізоляцію слід накрити).
- ▶ Після закінчення монтажних робіт перевірити теплоізоляцію на цілісність.



УВАГА: Пошкодження обладнання через нещільні з'єднання та перевищення максимальних допустимих показників!

- ▶ Установлюйте з'єднувальні трубопроводи без натягу.
- ▶ Щоб не пошкодити буферний бойлер, дотримуйтеся максимальних допустимих показників (→ Табл. 108, стор. 94 і Табл. 110, стор. 94).

Щоб уникнути пошкодження бойлера в майбутньому:

- ▶ Використовуйте установочний матеріал із температурною стійкістю до 110 °С.
- ▶ Для сонячних установок використовуйте термостійкі матеріали (до 135 °С).
- ▶ Усі з'єднувальні трубопроводи на бойлері прокладаються як гвинтові з'єднання, а за потреби встановлюється запірний клапан.
- ▶ У найнижчій точці з'єднань труб замовником встановлюється зливний кран.

Перевірка герметичності

→ Мал. 10, стор. 103.

5.3 Монтаж температурного датчика

→ Мал. 9, стор. 102:

- ▶ Змастіть поверхню контактів термопастою.
- ▶ Установіть температурний датчик у пружинний тримач таким чином, щоб уся поверхня контакту датчика прилягала до зовнішньої бокової поверхні бойлера.



Обов'язково зверніть увагу на те, щоб поверхня датчика прилягала по всій довжині контакту до зовнішньої бокової поверхні бойлера.

- ▶ Проводи температурного датчика мають на кінцях відповідне маркування.
- ▶ Проводи від датчика до регулювального приладу прокладайте таким чином, щоб можна було легко встановити ізоляцію.

5.4 Установлення теплоізоляції



Теплоізоляція встановлюється при оптимальній температурі приблизно 15 °С. Легке постукування по теплоізоляції в напрямку ущільнених кінців полегшує стягування обох кінців.



Logalux PNR

У разі використання електричного нагрівача теплоізоляція для підключень і покриття не потрібна.

5.4.1 Установлення теплоізоляції товщиною 80 мм

→ Мал. 11, стор. 103.

5.4.2 Установлення теплоізоляції товщиною 120 мм



Перед установкою теплоізоляції рекомендується виконати монтаж і перевірку герметичності.

→ Мал. 12, стор. 103.

5.5 Монтаж заглибленої гільзи (необов'язково)



Logalux PR

На задній частині бойлера знаходиться муфта, передбачена для ущільнення заглибленої гільзи (виконується замовником). У цю заглибну гільзу можна встановлювати температурний датчик (→ Мал. 9, стор. 102).

- ▶ Температурний датчик встановлюється в місці вимірювання для контролю температури гарячої води в буферному бойлері.
- ▶ Його вводять у заглибну гільзу за допомогою пружинного затискача.

5.6 Електричне під'єднання



НЕБЕЗПЕКА: Існує загроза життю через ураження електричним струмом!

- ▶ Електромонтажні роботи повинен проводити лише кваліфікований спеціаліст.
- ▶ Перед відкриванням регулюючого приладу вимкнути опалювальний прилад за допомогою аварійного вимикача або від'єднати його від мережі живлення.
- ▶ Забезпечте захист від ненавмисного повторного ввімкнення.

- ▶ Прокласти проводки датчика до регулюючого приладу.
- ▶ Під час приєднання електричних проводів датчика – слід дотримуватись інструкцій до регулювального приладу.

- ▶ Під час виведення з експлуатації опалювальної установки – дотримуйтеся інструкцій із монтажу й обслуговування регулювального приладу, теплогенератора та сонячної установки.
- ▶ Відкрийте зливний клапан установки.
- ▶ Відкрийте отвір для випускання повітря.
- ▶ Повністю злийте воду з бойлера та висушіть його зсередини.

6 Введення в експлуатацію



УВАГА: Пошкодження через неправильно встановлений тиск гарячої води!

- ▶ Дотримуйтеся максимальних допустимих значень (→ Табл. 108, стор. 94 і Табл. 110, стор. 94).

Введення в експлуатацію повинен проводити виробник або уповноважений фахівець.

- ▶ Перевірити щільність усіх підключень.
- ▶ Під час введення в експлуатацію опалювальної установки – дотримуйтеся інструкцій із монтажу й обслуговування регулювального приладу, теплогенератора та сонячної установки.

7 Виведення з експлуатації



НЕБЕЗПЕКА: Небезпека опіку гарячою водою!

- ▶ Після виведення з експлуатації буферного бойлера він повинен повністю охолонути.



УВАГА: Ушкодження бойлера через замерзання!

Якщо існує ймовірність заморозків, варто залишити буферний бойлер у робочому режимі або вивести його з експлуатації та злити воду.

8 **Захист навколишнього середовища/утилізація**

Захист навколишнього середовища є основою виробництва групи Bosch.

Якість продукції, економічність та екологічність є для нас рівнозначними цілями. Закони та постанови про захист навколишнього середовища виконуються дуже чітко. Для захисту навколишнього середовища ми використовуємо найкращі з точки зору промисловості матеріали та технології.

Пакування

Під час пакування ми відповідно до особливостей місцевості беремо участь у системі використання, яка забезпечує повторне використання. Усі пакувальні матеріали, що використовуються, екологічно безпечні та придатні для подальшого використання.

Старий прилад

Старі прилади містять цінні матеріали, які використовуються під час повторного використання.

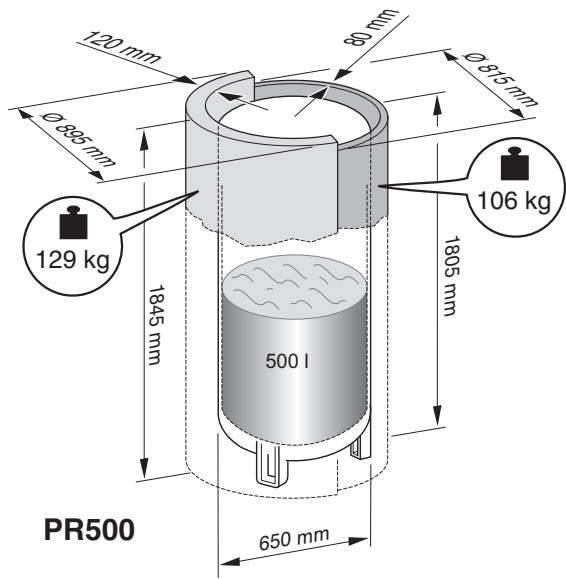
Блоки легко відділяються і позначаються синтетичні матеріали. Таким чином можна сортувати блоки і піддавати їх повторному використанню чи утилізації відходів.

9 **Обслуговування**

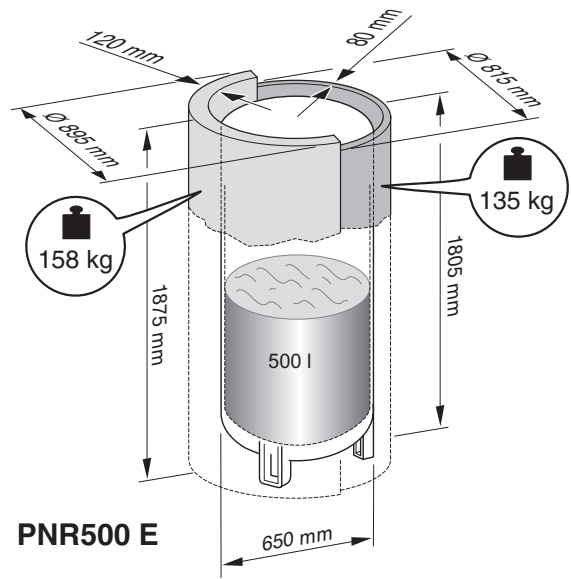
У буферних бойлерах, окрім вище зазначених оглядових перевірок, не потрібно проводити ніяких особливих робіт з техобслуговування або чищення.

- ▶ Щороку слід перевіряти щільність усіх зовнішніх з'єднань.

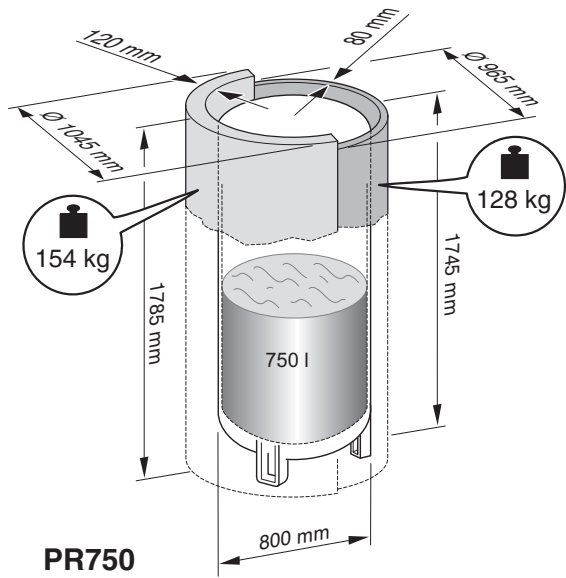
За потреби зателефонуйте до спеціалізованого підприємства або служби обслуговування клієнтів та повідомте про пошкодження, а також відомості про прилад.



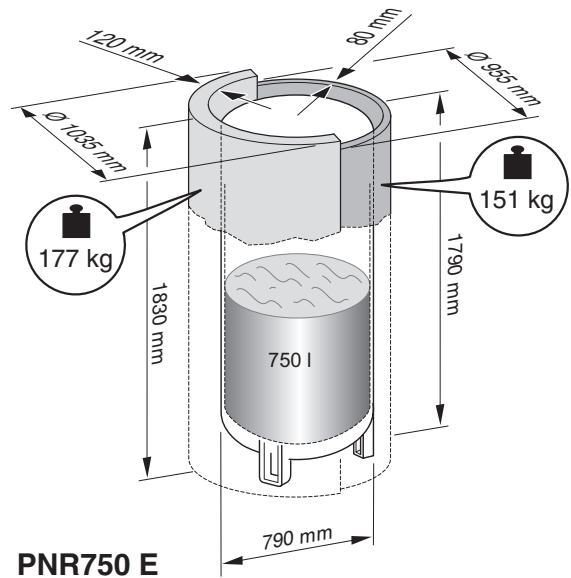
PR500



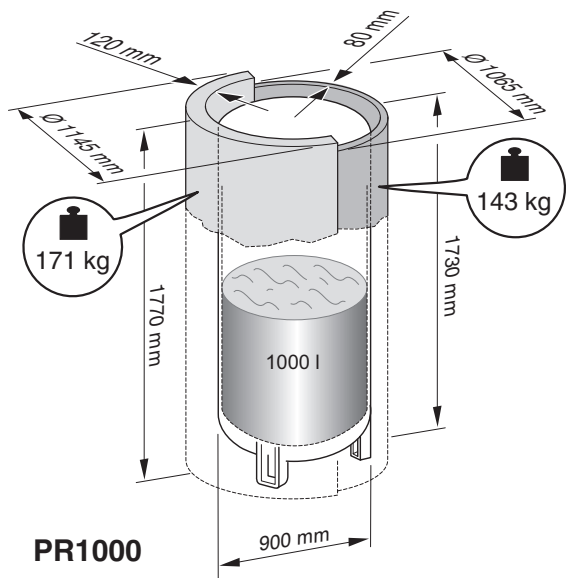
PNR500 E



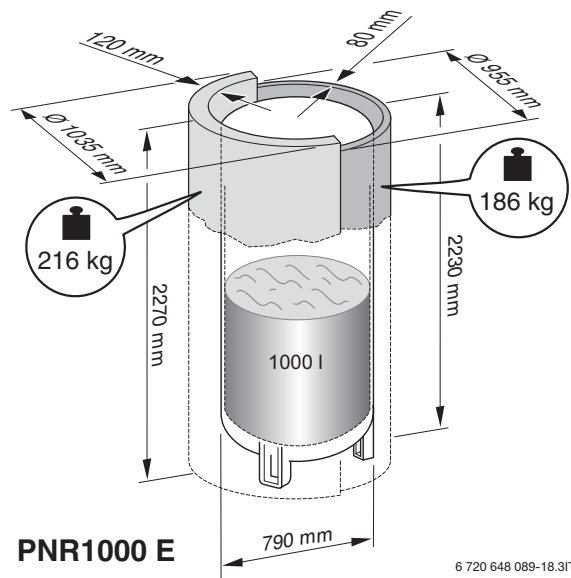
PR750



PNR750 E

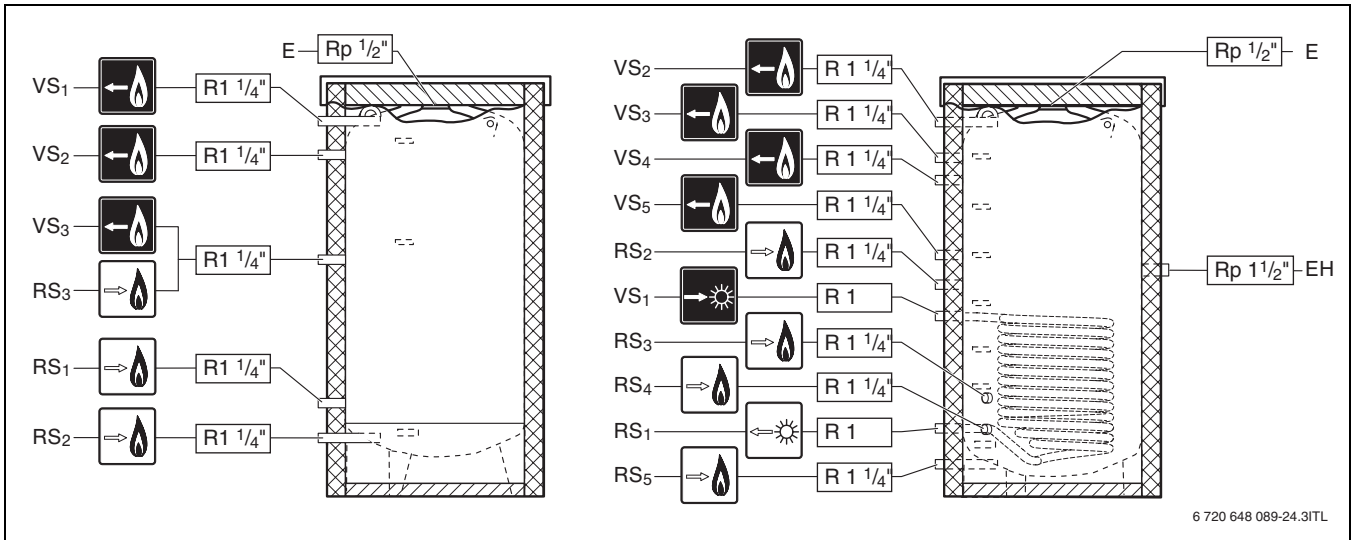


PR1000

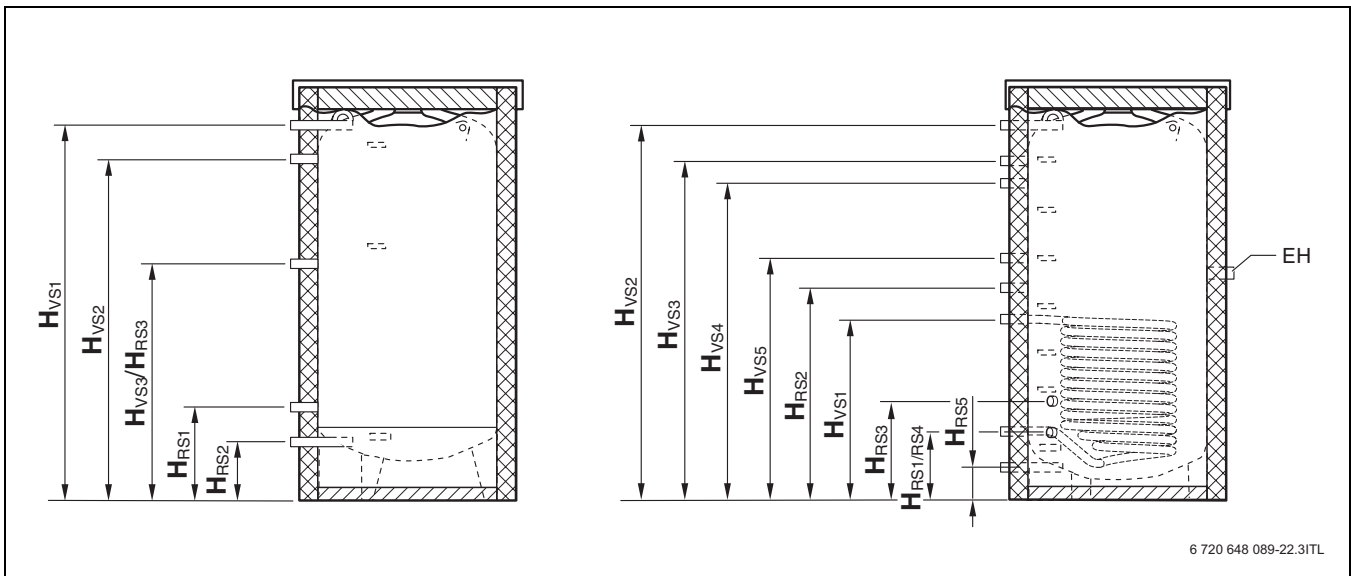


PNR1000 E

6 720 648 089-18.3ITL

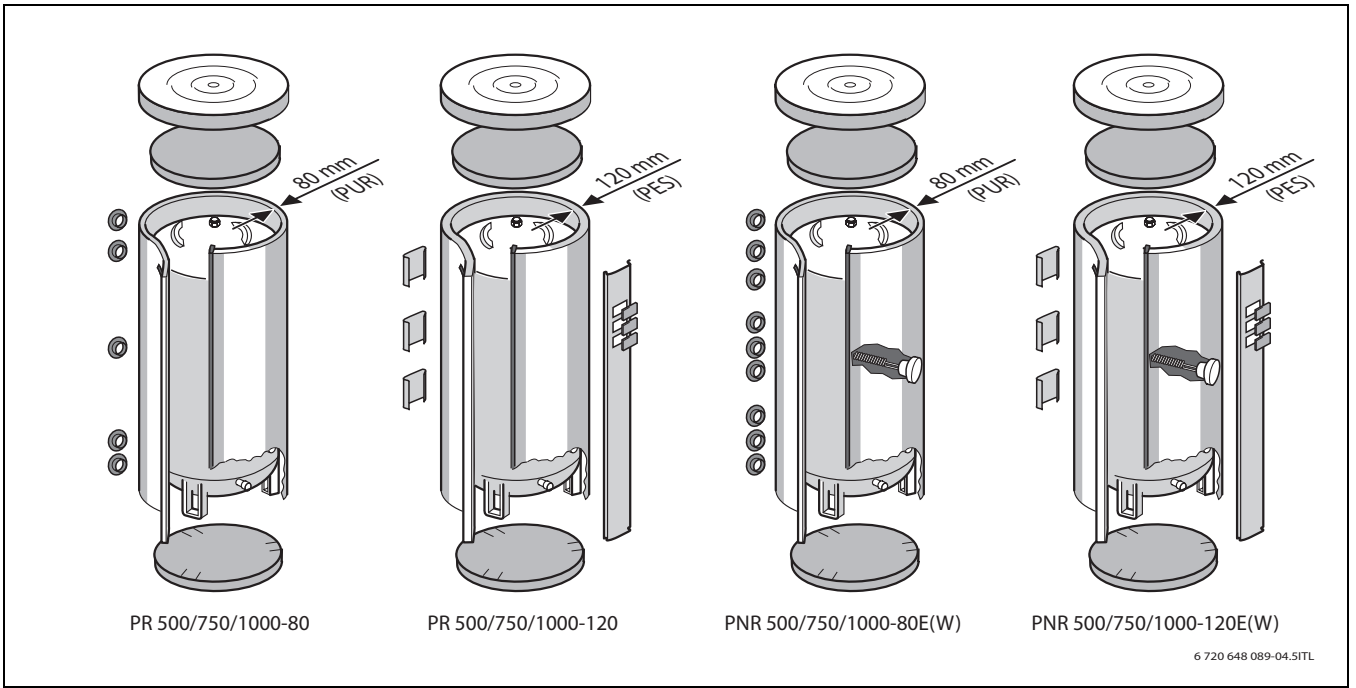


2 Logalux PR 500/750/1000-80, -120, Logalux PNR 500/750/1000-80 E(W), -120 E(W)

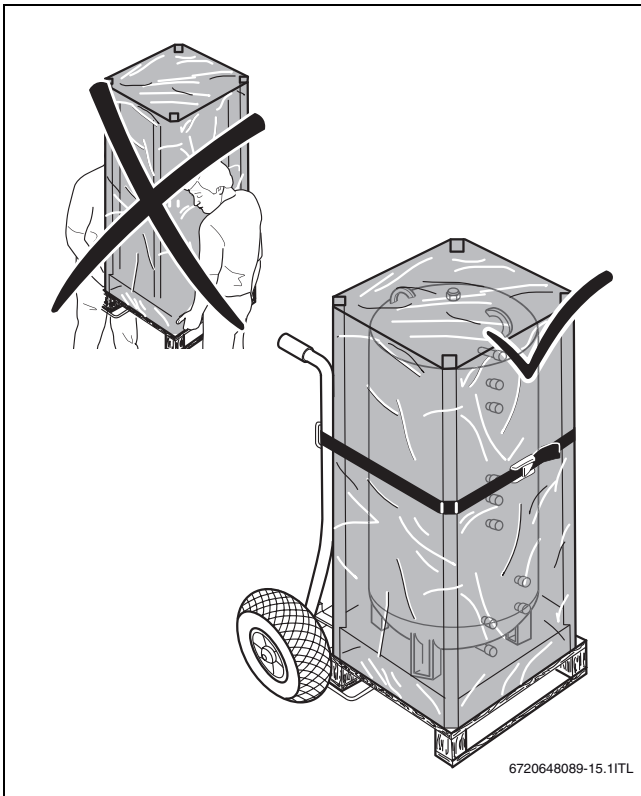


3 Logalux PR 500/750/1000-80, -120, Logalux PNR 500/750/1000-80 E(W), -120 E(W)

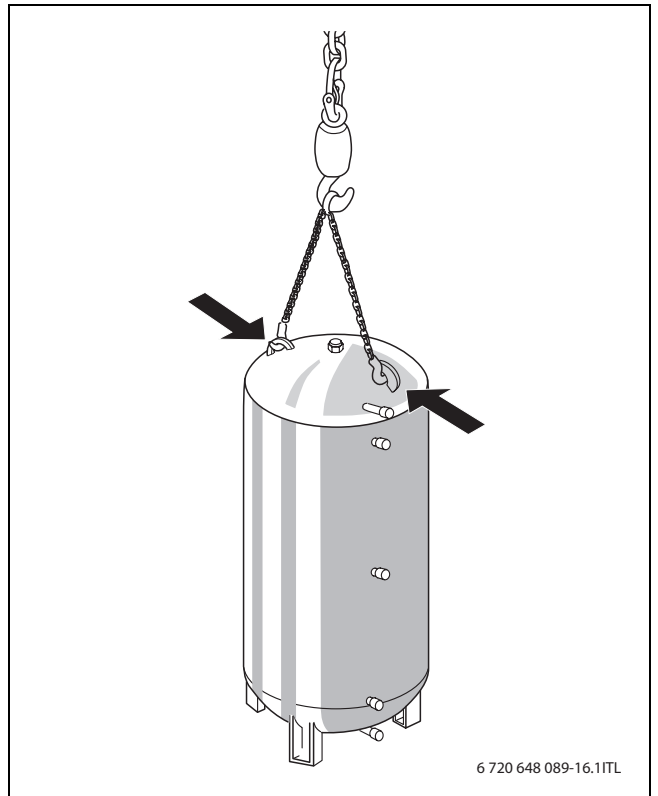
Logalux			PR 500	PR 750	PR 1000	PNR 500	PNR 750	PNR 1000
VS ₁	H _{VS1}	mm	1641	1586	1565	843	745	895
VS ₂	H _{VS2}	mm	1466	1431	1398	1643	1631	2068
VS ₃	H _{VS3}	mm	970	951	940	1468	1454	1891
VS ₄	H _{VS4}	mm	-	-	-	1348	1334	1771
VS ₅	H _{VS5}	mm	-	-	-	1180	1165	1415
RS ₁	H _{RS1}	mm	307	288	299	308	275	275
RS ₂	H _{RS2}	mm	148	133	133	843	865	1015
RS ₃	H _{RS3}	mm	970	951	940	428	395	395
RS ₄	H _{RS4}	mm	-	-	-	308	275	275
RS ₅	H _{RS5}	mm	-	-	-	148	133	133



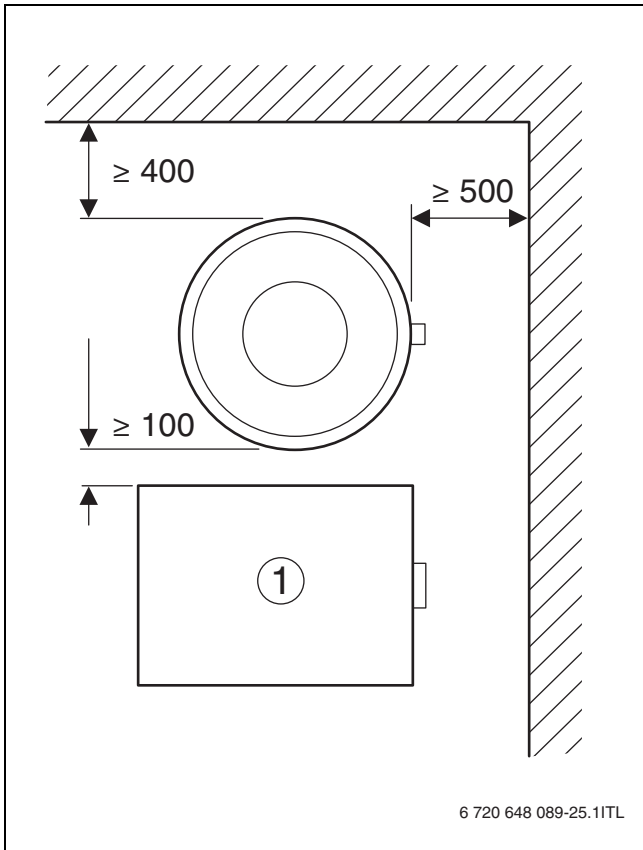
4



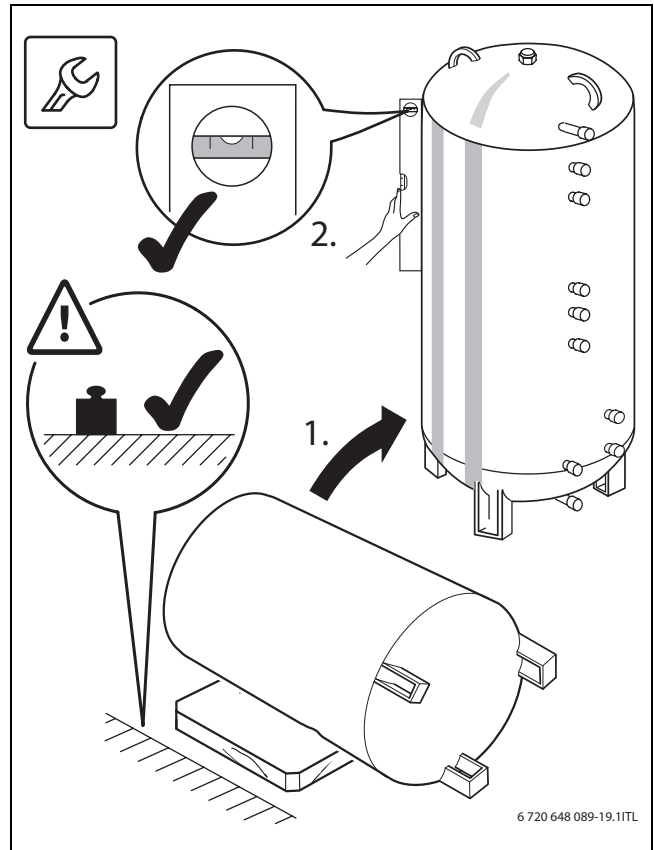
5



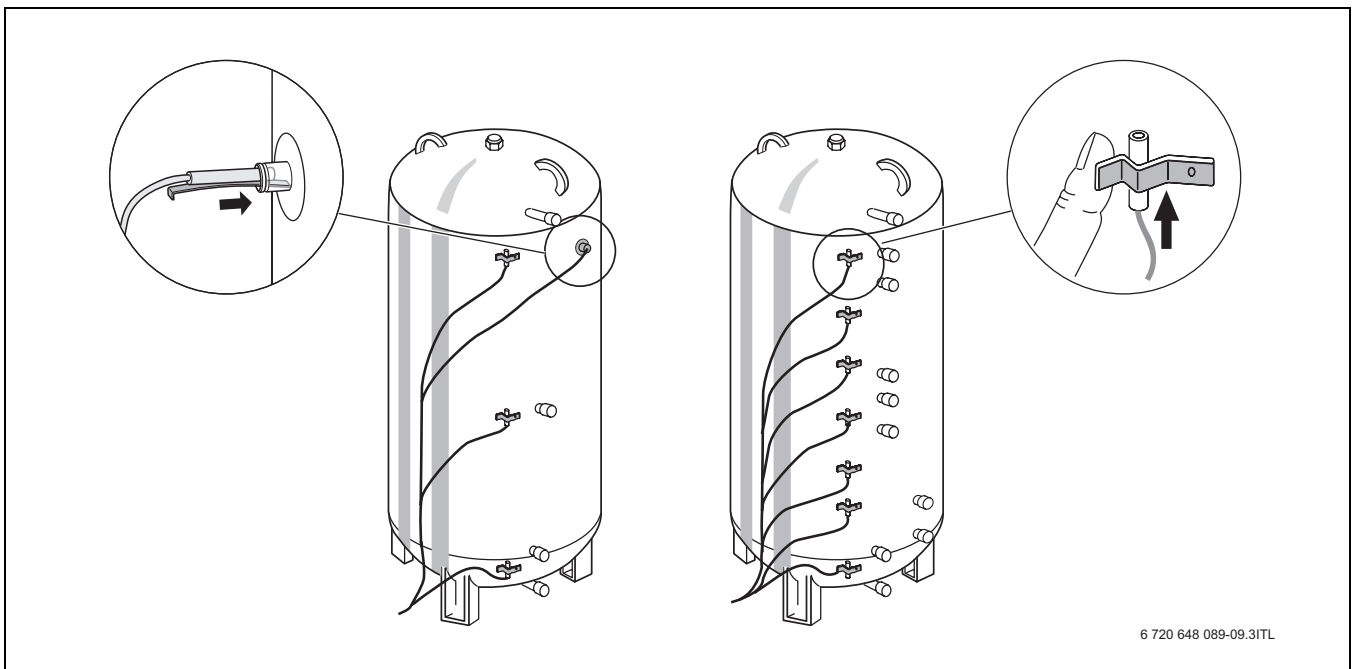
6



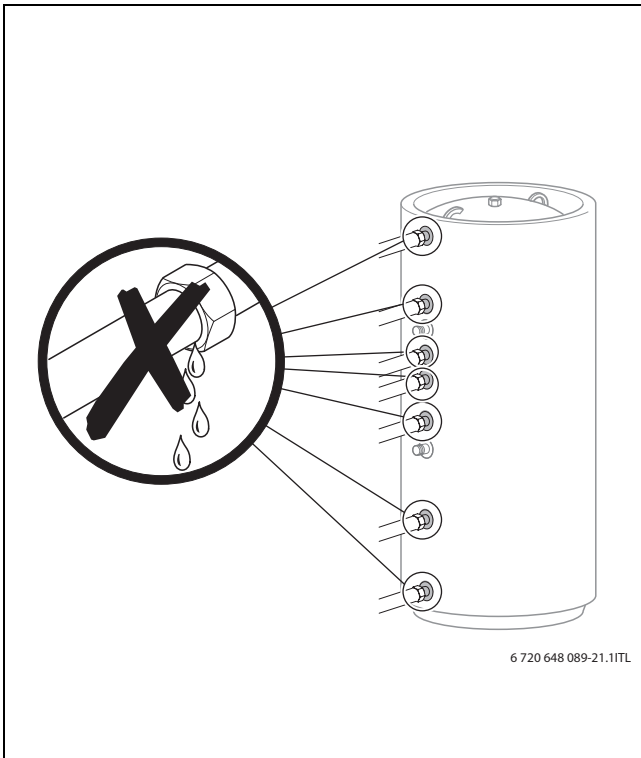
7



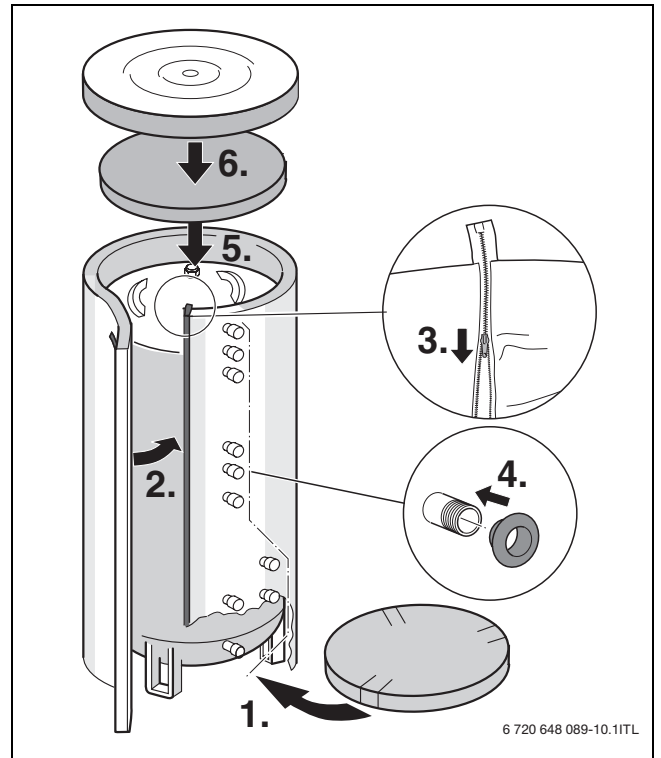
8



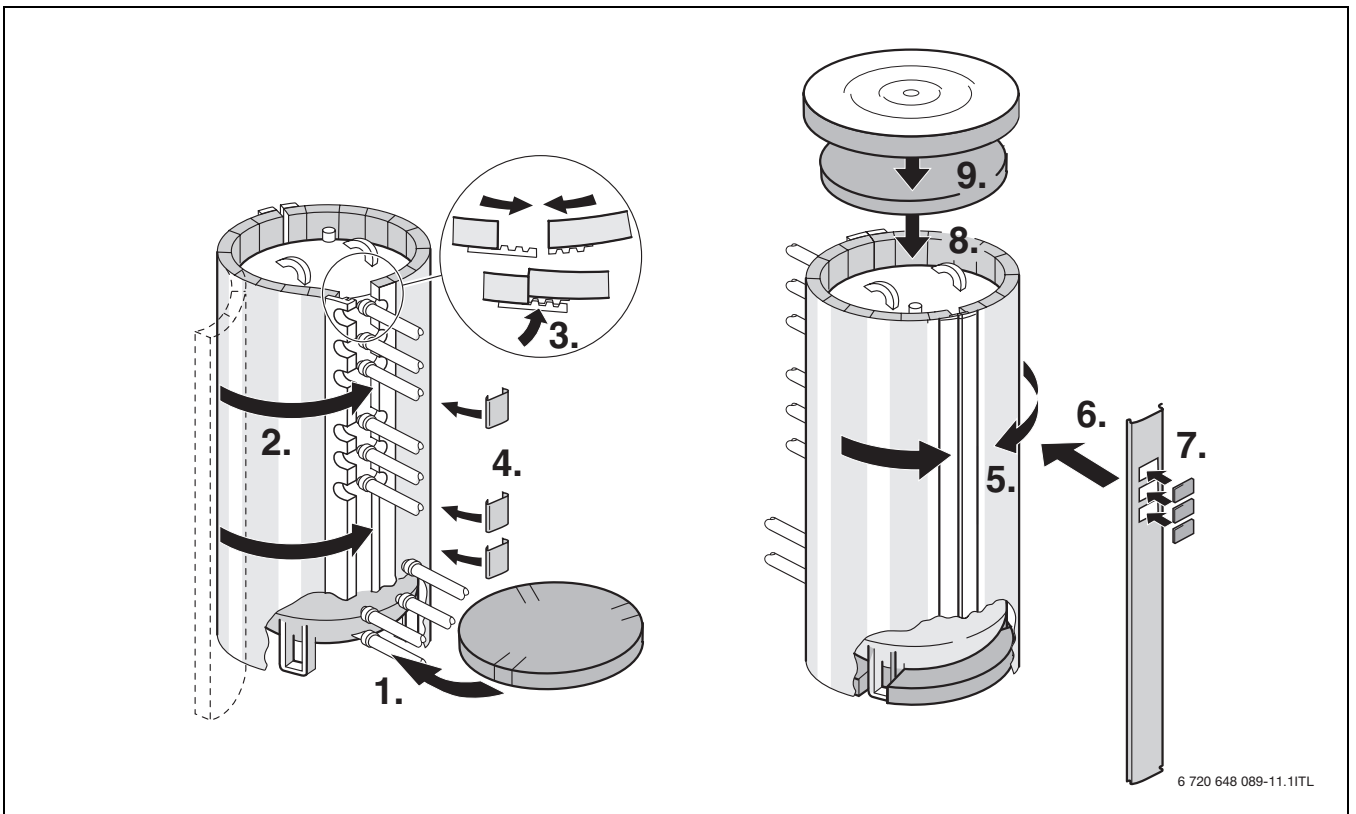
9 *Logalux PR 500/750/1000-80, -120*
Logalux PNR 500/750/1000-80 E(W), -120 E(W)



10



11 *Logalux PNR 500/750/100-80 E(W)*
Logalux PR 500/750/100-80



12 *Logalux PNR 500/750/100-120 E(W)*
Logalux PR 500/750/100-120

Bosch Thermotechnik GmbH
Sophienstrasse 30-32
D-35576 Wetzlar

www.buderus.com

Buderus