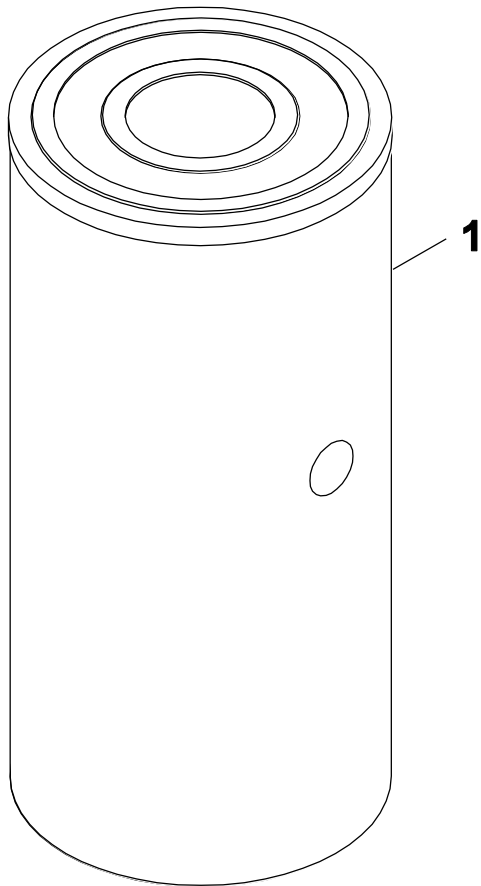
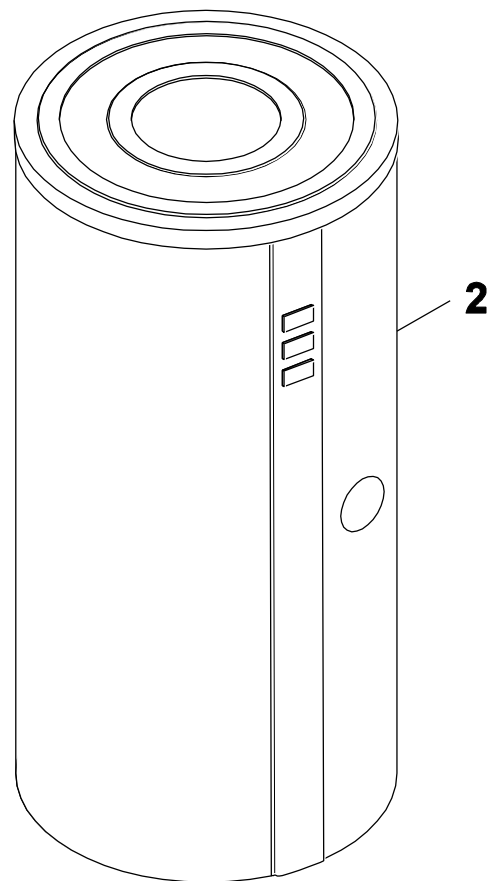


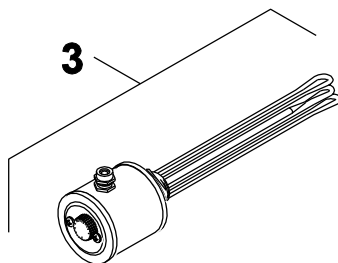
# PR 500/5, 750/5, 1000/5 E(W)



...-80mm



...-120mm



8738892613.aa.F

# Buderus



**[de] Wichtige Hinweise zur Installation/Montage**

Die Installation/Montage muss durch eine für die Arbeiten zugelassene Fachkraft unter Beachtung der geltenden Vorschriften erfolgen.

**[en] Important notes on installation/assembly**

The installation/assembly must be carried out by a professional who is authorised to do the work, and with due regard to the relevant regulations.

**[fr] Instructions importantes pour l'installation/le montage**

L'installation/le montage doit être effectué(e) par un spécialiste qualifié pour les opérations concernées et dans le respect des prescriptions applicables.

**[bg] Важни указания във връзка с инсталацията/монтажа**

Инсталацията/монтажът трябва да се извършва от лицензиран за работите специалист в съответствие с приложимите разпоредби.

**[cs] Důležité pokyny k instalaci/montáži**

Instalaci/montáž musí při dodržení platných předpisů provést odborný pracovník s příslušným oprávněním pro tyto práce.

**[da] Vigtige anvisninger til installationen/monteringen**

Installationen/monteringen skal foretages af en godkendt installatør under overholdelse af de gældende forskrifter.

**[el] Σημαντικές υποδείξεις για την εγκατάσταση/συναρμολόγηση**

Η εγκατάσταση/συναρμολόγηση πρέπει να πραγματοποιείται από εξουσιοδοτημένο για τις εργασίες αυτές τεχνικό προσωπικό, το οποίο θα πρέπει να φροντίζει ώστε να τηρούνται οι ισχύουσες διατάξεις.

**[es] Indicaciones importantes para instalación/montaje**

La instalación/el montaje lo debe realizar personal especializado autorizado para los trabajos, respetando las prescripciones vigentes.

**[et] Olulised juhised paigaldamiseks/montaažiks**

Paigaldamist/montaaži tohib läbi viia selleks volitusi omav spetsialist, arvestades kehtivaid nõudeid.

**[fi] Belangrijke aanwijzingen betreffende de installatie/montage**

De installatie/montage moet worden uitgevoerd door een voor de werkzaamheden geautoriseerde installateur. Hij moet rekening houden met de geldende voorschriften.

**[fi] Tärkeitä asennus- ja kokoonpano-ohjeita**

Näihin töihin hyväksytyn ammattiasentajan pitää suorittaa asennus- ja kokoonpanotyöt voimassa olevien määräysten mukaisesti.

**[hu] Fontos tudnivalók az installáláshoz/szereléshez**

Az installálást/szerelést egy, a munkákra felhatalmazott szakembernek kell végeznie, az érvényes előírások figyelembevételével.

**[it] Avvertenze importanti per l'installazione/il montaggio**

L'installazione/il montaggio deve aver luogo ad opera di una ditta specializzata ed autorizzata in osservanza delle disposizioni vigenti.

**[he] מנישנעלוגעבני מיתותעבני ינסטלאציעס/מונטאזיעס/אסאטועס**

ינסטלאציע/מונטאזיע זאל געבן געווען דורך א ספעציאלע פראכט פאר די ארבעטן, וואס זאלן געטון דער ארבעטן אין אריינרעכענען די געלטענדיגע פארשריפטן.

**[lt] Svarbios instaliavimo ir (arba) montavimo nuorodos**

Instaliuoti ir montuoti, laikantis galiojančių taisyklių, leidžiama kvalifikuotiems specialistams, kurie buvo įgalioti šiems darbams atlikti.

**[lv] Svarīgi norādījumi par iekārtas uzstādīšanu / montāžu**

Iekārtas uzstādīšanu/montāžu ir jāveic specializētam sertificētam speciālistam, ievērojot spēkā esošos noteikumus.

**[nl] Belangrijke aanwijzingen betreffende de installatie/montage**

De installatie/montage moet worden uitgevoerd door een voor de werkzaamheden geautoriseerde installateur rekening houdend met de geldende voorschriften.

**[no] Viktig informasjon om installasjon/montering**

Installasjonen/monteringen skal gjennomføres av autoriserte installatører, og gjeldende forskrifter skal følges.

**[pl] Ważne wskazówki dotyczące instalacji/montażu**

Instalacja /montaż muszą być wykonane przez uprawnionego do tego rodzaju prac specjalistę przy zachowaniu obowiązujących przepisów.

**[pt] Indicações importantes relativas à instalação/montagem**

A instalação/montagem deve ser efetuada por um técnico especializado com qualificações para estes trabalhos, tendo em atenção os regulamentos em vigor.

**[ro] Indicații importante privind instalarea/montajul**

Instalarea/montajul trebuie realizate de către un specialist autorizat pentru lucrările respective, respectându-se prescripțiile valabile.

**[ru] Важные указания по подключению/монтажу**

Подключение/монтаж должны выполнять специалисты, имеющие допуск к выполнению таких работ, при соблюдении действующих норм и правил.

**[sk] Dôležité pokyny týkajúce sa inštalácie/montáže**

Inštaláciu/montáž musí realizovať odborník s oprávnením na výkon týchto prác, pričom musí dodržiavať platné predpisy.

**[sl] Pomembni napotki za namestitvev/montažo**

Namestitvev/montažo mora izvesti strokovnjak, pristojen za tovrstna dela, ob upošte vanju veljavnih predpisov.

**[sr] Važna uputstva za ugradnju i montažu**

Ugradnju i montažu moraju da obave samo stručna lica ovlašćena za izvođenje takvih radova koja će poštovati važeće propise.

**[sv] Viktiga anvisningar för installation/montering**

Installationen/monteringen måste utföras av en behörig och fackkunnig person enligt gällande föreskrifter.

**[tr] Kurulum/Montaj ile ilgili önemli uyarılar**

Kurulum/Montaj çalışmaları sadece yetkili bayiler tarafından aşağıda belirtilen talimatlar dikkate alınarak yapılmalıdır.

**[uk] Важливі вказівки щодо установки/монтажу**

Установку/монтаж мають здійснювати фахівці, що мають дозвіл на проведення цих робіт, із дотримання чинних приписів.

**[zh] 安装方面的重要提示**

必须由受到许可承担该项工作的专业人员遵照相关法规进行安装。

**[ar] ملاحظات هامة للتركيب/التجميع**

يجب أن يتم التركيب/التجميع من قبل متخصص مصرح له بالعمل، مع مراعاة اللوائح السارية.

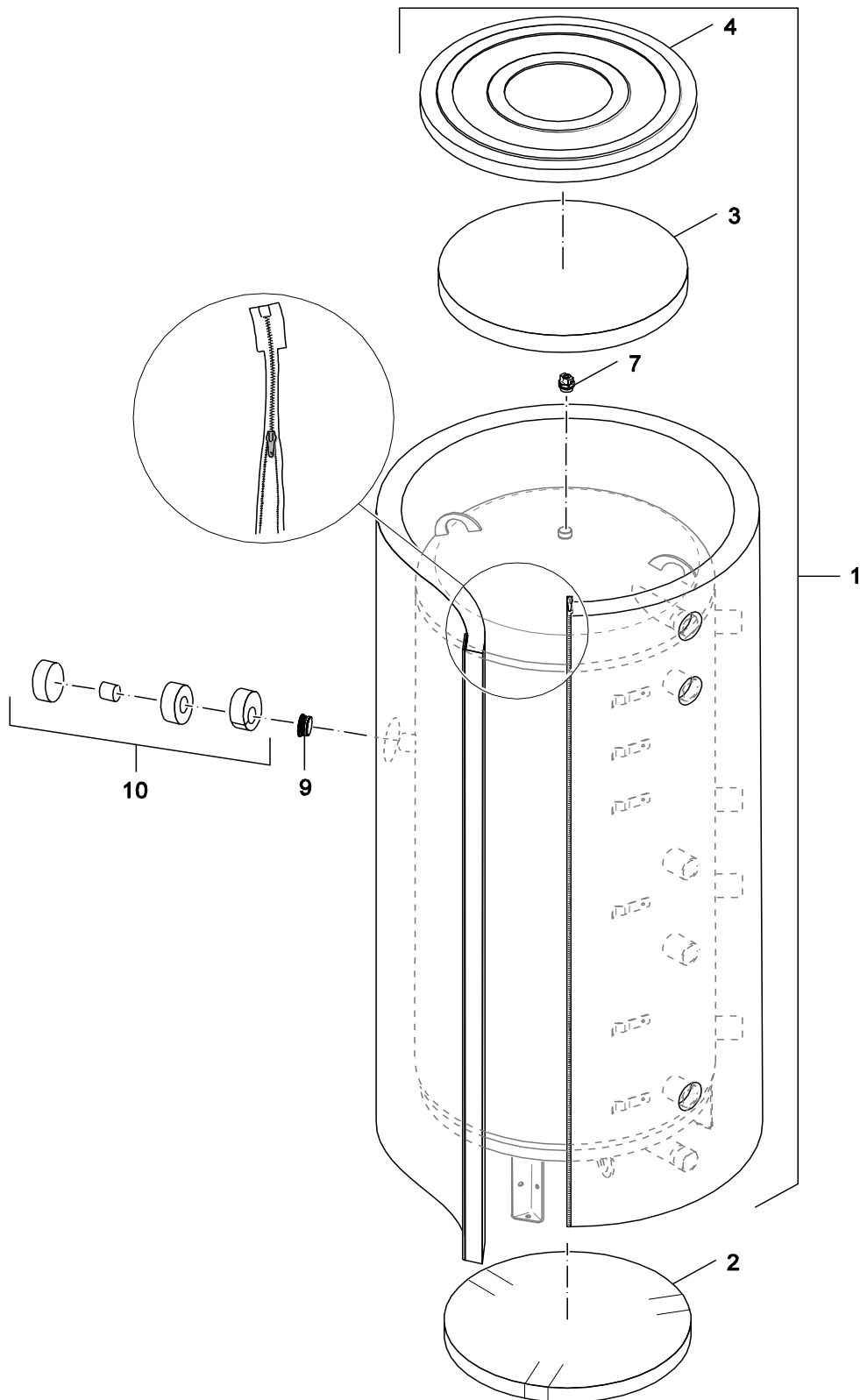
**[fa] تذکرات مهم درباره نصب/مونتاژ**

نصب/مونتاژ باید توسط فردی حرفه ای که مجاز به انجام این کار است، و همچنین با توجه کامل به مقررات مربوطه انجام شود.

Ersatzteilliste  
Spare parts list

Liste des pièces de rechange  
Lista parti di ricambio

Onderdelenlijst  
Lista de repuestos



8738892599.aa.F

1

Pufferspeicher 500 - 1000L 80mm  
Buffer cylinder 500 - 1000L 80mm  
Ballon tampon 500 - 1000L 80mm  
Accumulatore puffer 500 - 1000L 80mm  
Bufferboiler 500 - 1000L 80mm  
Acumulador auxiliar 500 - 1000L 80mm

PR 500/5, 750/5, 1000/5 E(W)

| Pos | Bezeichnung<br>Description<br>Dénomination<br>Descrizioni<br>Benaming<br>Descripción | Bestell-Nr.<br>Ordering no.<br>Número de commande<br>N° d'ordine<br>Bestelnummer<br>Número el ordenar | PR500/5 E | PR500-80/5 E | PR500-80/5 EW | PR750/5 E | PR750-80/5 E | PR750-80/5 EW | PR1000/5 E | PR1000-80/5 E | PR1000-80/5 EW |  |  |  |  |  |  |  | Bemerkungen<br>Remarks<br>Remarques<br>Osservazioni<br>Opmerkingen<br>Observaciones |
|-----|--|---|-----------|--------------|---------------|-----------|--------------|---------------|------------|---------------|----------------|--|--|--|--|--|--|--|---|
| 1   | Wärmesch Pufferspeicher 500/5-80V  | 8 735 100 067   | ■         | ■            |               |           |              |               |            |               |                |  |  |  |  |  |  |  |   |
| 1   | Wärmesch Pufferspeicher 750/5-80V  | 8 735 100 068   |           |              |               | ■         | ■            |               |            |               |                |  |  |  |  |  |  |  |   |
| 1   | Wärmesch Pufferspeicher 1000/5-80V   | 8 735 100 069   |           |              |               |           |              |               | ■          | ■             |                |  |  |  |  |  |  |  |   |
| 1   | Wärmesch Pufferspeicher 500/5-80V W  | 8 735 100 070   | ■         |              | ■             |           |              |               |            |               |                |  |  |  |  |  |  |  |   |
| 1   | Wärmesch Pufferspeicher 750/5-80V W  | 8 735 100 071   |           |              |               | ■         |              | ■             |            |               |                |  |  |  |  |  |  |  |   |
| 1   | Wärmesch Pufferspeicher 1000/5-80V W   | 8 735 100 072   |           |              |               |           |              |               | ■          |               | ■              |  |  |  |  |  |  |  |   |
| 2   | Isolierung Boden D650x80V  | 8 735 100 076   | ■         | ■            | ■             |           |              |               |            |               |                |  |  |  |  |  |  |  |   |
| 2   | Isolierung Boden D790x80V  | 8 735 100 077   |           |              |               | ■         | ■            | ■             | ■          | ■             | ■              |  |  |  |  |  |  |  |   |
| 3   | Isolierung Deckel 500-80V  | 8 735 100 078   | ■         | ■            | ■             |           |              |               |            |               |                |  |  |  |  |  |  |  |   |
| 3   | Isolierung Deckel 750/1000-80V   | 8 735 100 079   |           |              |               | ■         | ■            | ■             | ■          | ■             | ■              |  |  |  |  |  |  |  |   |
| 4   | Deckel 500-80 schwarz  | 8 718 573 284 0   | ■         | ■            | ■             |           |              |               |            |               |                |  |  |  |  |  |  |  |   |
| 4   | Deckel 750/1000-80 schwarz   | 8 718 573 223 0   |           |              |               | ■         | ■            | ■             | ■          | ■             | ■              |  |  |  |  |  |  |  |   |
| 7   | Entlüftungsventil 1/2"   | 8 718 221 694 0   | ■         | ■            | ■             | ■         | ■            | ■             | ■          | ■             | ■              |  |  |  |  |  |  |  |   |
| 9   | Stopfen G1 1/2" mit PTFE-Ring  | 63004276  | ■         | ■            | ■             | ■         | ■            | ■             | ■          | ■             | ■              |  |  |  |  |  |  |  |   |
| 10  | Abdeckung E-Heizung 1000/2   | 63012517  | ■         | ■            | ■             | ■         | ■            | ■             | ■          | ■             | ■              |  |  |  |  |  |  |  |   |
|     | Geräteschild Buderus   | 8 718 224 253 0   | ■         | ■            | ■             | ■         | ■            | ■             | ■          | ■             | ■              |  |  |  |  |  |  |  |   |

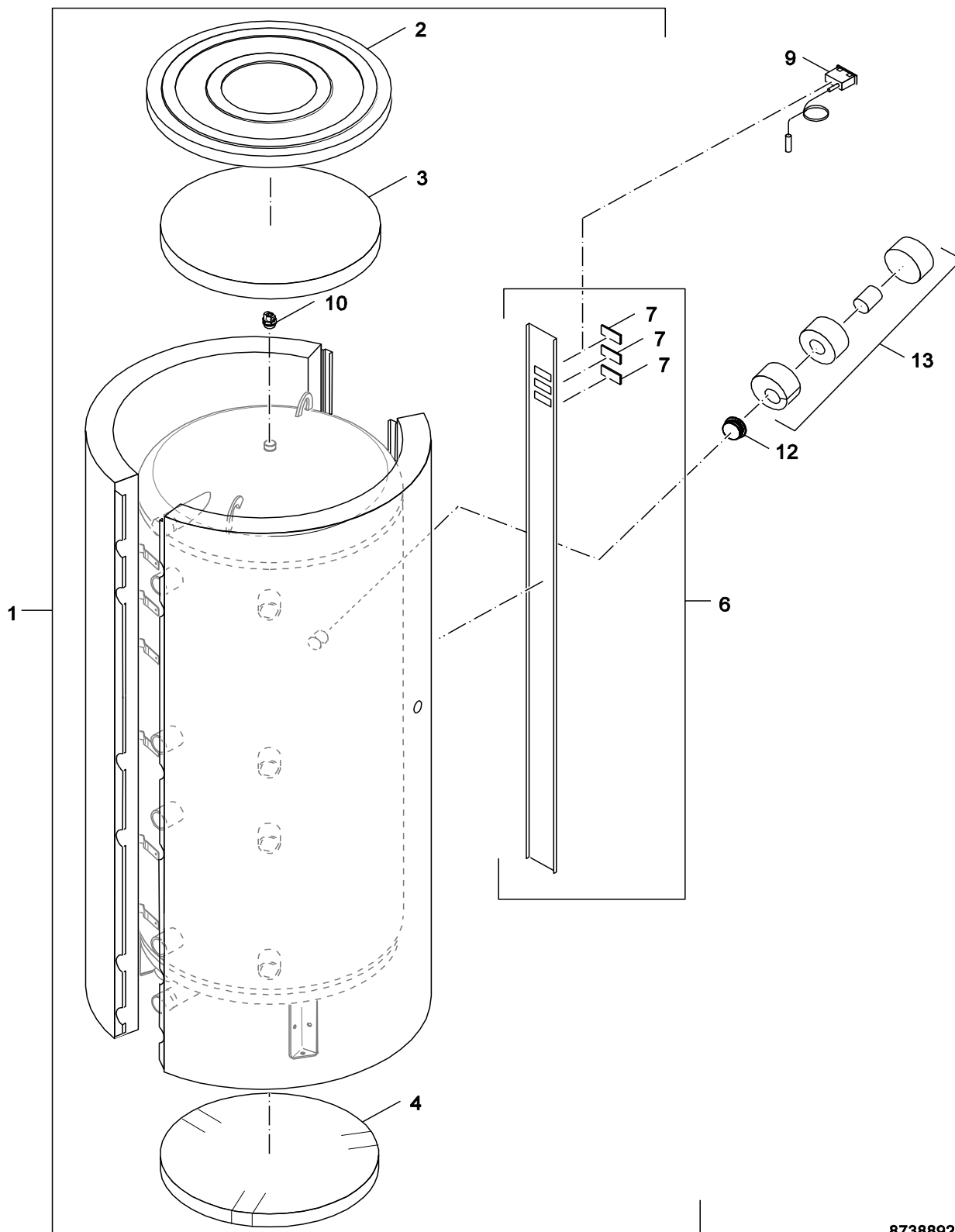
**PR 500/5, 750/5, 1000/5 E(W)**

Pufferspeicher 500 - 1000L 80mm  
 Buffer cylinder 500 - 1000L 80mm  
 Ballon tampon 500 - 1000L 80mm  
 Accumulatore puffer 500 - 1000L 80mm  
 Bufferboiler 500 - 1000L 80mm  
 Acumulador auxiliar 500 - 1000L 80mm

Ersatzteilliste  
Spare parts list

Liste des pièces de rechange  
Lista parti di ricambio

Onderdelenlijst  
Lista de repuestos



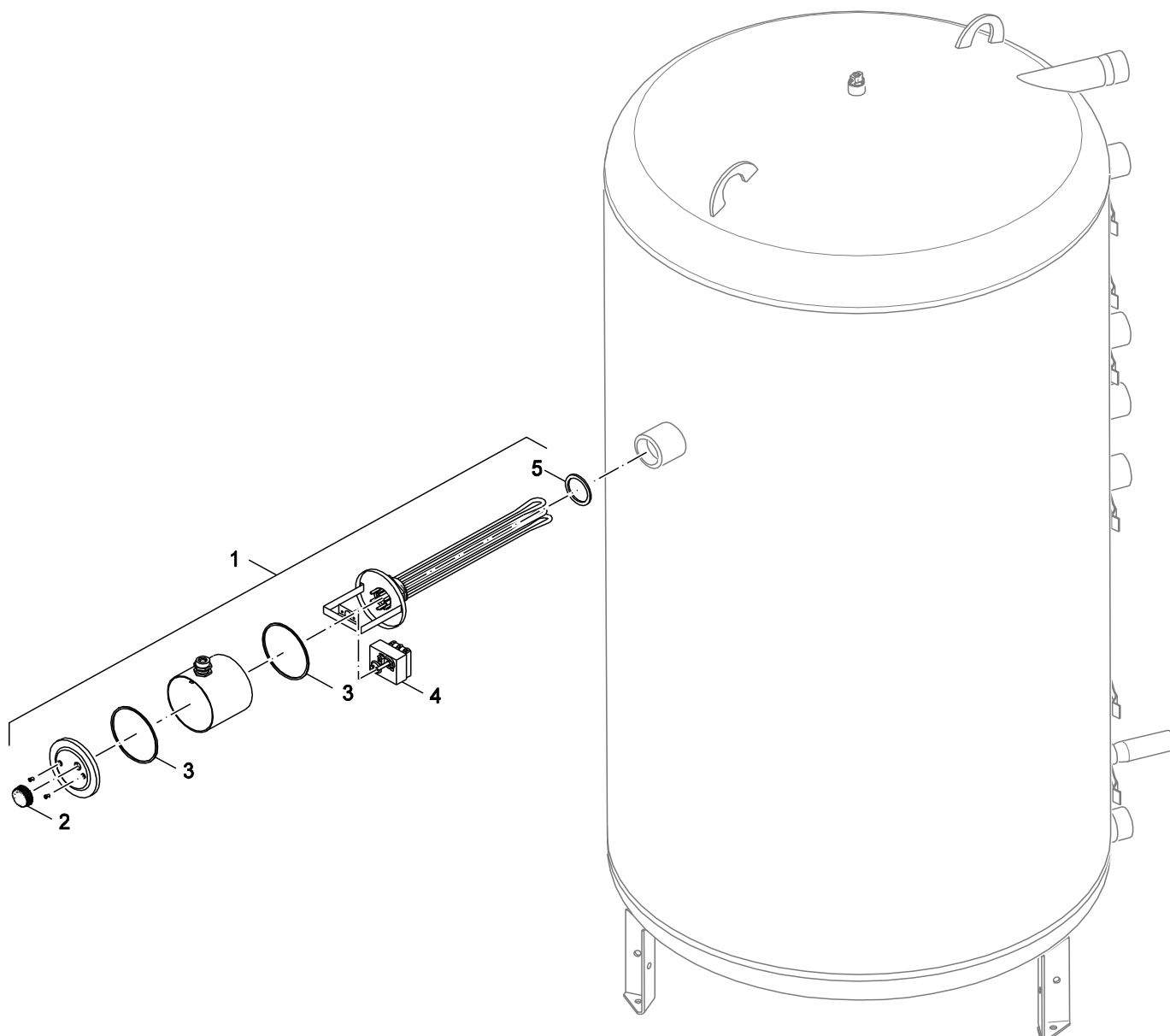
8738892600.aa.F

**2**

- Pufferspeicher 500 - 1000L 120mm
- Buffer cylinder 500 - 1000L 120mm
- Ballon tampon 500 - 1000L 120mm
- Accumulatore puffer 500 - 1000L 120mm
- Bufferboiler 500 - 1000L 120mm
- Acumulador auxiliar 500 - 1000L 120mm

**PR 500/5, 750/5, 1000/5 E(W)**





8738892614.aa.F

**3**

Elektro-Heizeinsatz  
Electric heater  
Chauffage électrique  
Resistenza elettrica  
Elektroverwarming  
Calefacción eléctrica

PR 500/5, 750/5, 1000/5 E(W)





| Übersetzungsliste<br>List of translations |  | Liste des traductions<br>Traduzione delle descrizioni |  | Vertalinglijst<br>Lista de traducciones  |  |
|---|--|---|--|--|--|
| Pos                                       | Description                              | Denomination  | Descrizione                              | Benaming                                 | Descripción                              |
| <b>1</b>                                  | <b>Element of construction</b>           | <b>Groupe de construction</b>                         | <b>Gruppo di costruzione</b>             | <b>Montagegroep</b>                      | <b>Grupo de construccion</b>             |
| 1   | Insulation buffer tank 500/5-80V         | Isolation Ballon tampon 500/5-80V                     | Coibentazione Accumul. puffer 500/5-80V  | Isolatie Bufferboiler 500/5-80V          | Aislamiento Acumul. auxiliar 500/5-80V   |
| 1   | Insulation buffer tank 750/5-80V         | Isolation Ballon tampon 750/5-80V                     | Coibentazione Accumul. puffer 750/5-80V  | Isolatie Bufferboiler 750/5-80V          | Aislamiento Acumul. auxiliar 750/5-80V   |
| 1   | Insulation buffer tank 1000/5-80V        | Isolation Ballon tampon 1000/5-80V                    | Coibentazione Accumul. puffer1000/5-80V  | Isolatie Bufferboiler 1000/5-80V         | Aislamiento Acumul. auxiliar1000/5-80V   |
| 1   | Insulation buffer tank 500/5-80V W       | Isolation Ballon tampon 500/5-80V W                   | Coibentazione Accum. puffer 500/5-80V W  | Isolatie Bufferboiler 500/5-80V W        | Aislamiento Acumulad. 500/5-80V W        |
| 1   | Insulation buffer tank 750/5-80V W       | Isolation Ballon tampon 750/5-80V W                   | Coibentazione Accumul. 750/5-80V W       | Isolatie Bufferboiler 750/5-80V W        | Aislamiento Acumul. 750/5-80V W          |
| 1   | Insulation buffer tank 1000/5-80V W      | Isolation Ballon tampon 1000/5-80V W                  | Coibentazione Accumul. 1000/5-80V W      | Isolatie Bufferboiler 1000/5-80V W       | Aislamiento Acumul. 1000/5-80V W         |
| 2   | Insulation bottom D650x80V               | Isolation bas D650x80V                                | Coibentazione sotto D650x80V             | Isolatie onder D650x80V                  | Aislamiento debajo D650x80V              |
| 2   | Insulation bottom D790x80V               | Isolation bas D790x80V                                | Coibentazione sotto D790x80V             | Isolatie onder D790x80V                  | Aislamiento debajo D790x80V              |
| 3   | Insulation 500-80V top                   | Isolation 500-80V Couvercle                           | Coibentazione 500-80V Coperchio          | Isolatie 500-80V Deksel                  | Aislamiento 500-80V Tapa                 |
| 3   | Insulation 750/1000-80V top              | Isolation 750/1000-80V Couvercle                      | Coibentazione 750/1000-80V Coperchio     | Isolatie 750/1000-80V Deksel             | Aislamiento 750/1000-80V Tapa            |
| 4   | Cover 750/1000-80 black                  | Couvercle 750/1000-80 noir                            | Coperchio 750/1000-80 nero               | Afdekking 750/1000-80 zwart              | Recubrimiento 750/1000-80 negro          |
| 4   | Cover top PNR 500-80 black packed        | Couvercle 500-80 noir                                 | Coperchio 500-80 nero                    | Afdekking 500-80 zwart                   | Recubrimiento 500-80 negro               |
| 7   | Deairing 1/2                             | Vanne de purge 1/2"                                   | Valvola di sfiato 1/2"                   | ONTLUCHTER 1/2" P500/750/100-120S        | Válvula de purga de aire 1/2"            |
| 9   | Plug G 1 1/2" with PTFE-Ring             | Bouchon G1 1/2"                                       | Tappo G 1 1/2" con anello di PTFE compl. | Pluggen G 1 1/2" met PTFE-ring compl.    | Tapón G 1 1/2" con anillo de PTFE compl. |
| 10  | Cover electric heater black 1000/2       | Couvercle Chauff. électrique noir 1000/2              | Coperchio Resistenza elettr. nero 1000/2 | Afdekking Elektroverwarming 1000/2       | Recubrimiento resistencia eléct. 1000/2  |
|   | Badge label Buderus packed               | Plaque signalétique Buderus                           | Targhetta caldaia Buderus                | Toestelplaat Buderus                     | Placa del aparato Buderus                |
| <b>2</b>                                  | <b>Element of construction</b>           | <b>Groupe de construction</b>                         | <b>Gruppo di costruzione</b>             | <b>Montagegroep</b>                      | <b>Grupo de construccion</b>             |
| 1   | Insulation Buffer Tank 500/5-120         | Isolation Ballon tampon 500/5-120                     | Coibentazione Accumul. puffer 500/5-120  | Isolatie Bufferboiler 500/5-120          | Aislamiento Acumul. auxiliar 500/5-120   |
| 1   | Insulation Buffer Tank 500/5-120 W       | Isolation Ballon tampon 500/5-120 W                   | Coibentazione Accumul. puffer 500/5-120W | Isolatie Bufferboiler 500/5-120 W        | Aislamiento Acumul. auxiliar 500/5-120 W |
| 1   | Insulation Buffer Tank 750/5-120         | Isolation Ballon tampon 750/5-120                     | Coibentazione Accumul. puffer 750/5-120  | Isolatie Bufferboiler 750/5-120          | Aislamiento Acumul. auxiliar 750/5-120   |
| 1   | Insulation Buffer Tank 750/5-120 W       | Isolation Ballon tampon 750/5-120 W                   | Coibentazione Accumul. puffer 750/5-120W | Isolatie Bufferboiler 750/5-120 W        | Aislamiento Acumul. auxiliar 750/5-120 W |
| 1   | Insulation Buffer Tank 1000/5-120        | Isolation Ballon tampon 1000/5-120                    | Coibentazione Accumul. puffer 1000/5-120 | Isolatie Bufferboiler 1000/5-120         | Aislamiento Acumul. auxiliar 1000/5-120  |
| 1   | Insulation Buffer Tank 1000/5-120 W      | Isolation Ballon tampon 1000/5-120 W                  | Coibentazione Accum. puffer 1000/5-120 W | Isolatie Bufferboiler 1000/5-120 W       | Aislamiento Acumul. auxiliar 1000/5-120W |
| 2   | Cover Top D1050 black                    | Couvercle D1050 noir                                  | Copertura di protezione D1050 nero       | Afdekking D1050 zwart                    | Recubrimiento D1050 negro                |
| 2   | Cover Top D910 black                     | Couvercle D910 noir                                   | Copertura di protezione D910 nero        | Afdekking D910 zwart                     | Recubrimiento D910 negro                 |
| 3   | Insulation Cover D650x120 Fleece         | Isolation Couvercle D650x120 toison                   | Coibentazione Coperchio D650x120         | Isolatie Deksel D650x120 vlies           | Aislamiento Tapa D650x120 vellón         |
| 3   | Insulation Cover D790x120 Fleece         | Isolation Couvercle D790x120 toison                   | Coibentazione Coperchio D790x120         | Isolatie Deksel D790x120 vlies           | Aislamiento Tapa D790x120 vellón         |
| 4   | Insulation Bottom D650x120 Fleece        | Isolation bas D650x120 toison                         | Coibentazione sotto D650x120             | Isolatie onder D650x120 vlies            | Aislamiento debajo D650x120 vellón       |
| 4   | Insulation Bottom D790x120 Fleece        | Isolation bas D790x120 toison                         | Coibentazione sotto D790x120             | Isolatie onder D790x120 vlies            | Aislamiento debajo D790x120 vellón       |
| 6   | Cover Front 500 black                    | Couvercle 500 devant noir                             | Coperchio 500 davanti nero               | Afdekstrook 500 voor zwart               | Recubrimiento 500 delante negro          |
| 6   | Cover Front 750 black                    | Couvercle 750 devant noir                             | Coperchio 750 davanti nero               | Afdekstrook 750 voor zwart               | Recubrimiento 750 delante negro          |
| 6   | Cover Front 1000 black                   | Couvercle 1000 devant noir                            | Coperchio 1000 davanti nero              | Afdekstrook 1000 voor zwart              | Recubrimiento 1000 delante negro         |
| 7   | Cover 28x61x6 black                      | Couvercle 28x61x6 noir                                | Coperchio 28x61x6 nero                   | Afdekking 28x61x6 zwart                  | Recubrimiento 28x61x6 negro              |
| 9   | Thermometer 30 - 80 degree C             | Thermometre 30-80#c pour LT                           | Termometro 30-80 gradi C                 | Thermometer TBS L/LT horizontaal         | Termómetro analogico horizontal          |
| 9   | Digital thermometer with capillary 3 DTA | Thermom#tre numérique DTA                             | SONDA BOLLITORE DIGITALE DTA             | THERMOMETER DIGITAAL P500/750/100-120S   | Termometro Digital SU750                 |
| 10  | Deairing 1/2                             | Vanne de purge 1/2"                                   | Valvola di sfiato 1/2"                   | ONTLUCHTER 1/2" P500/750/100-120S        | Válvula de purga de aire 1/2"            |
| 12  | Plug G 1 1/2" with PTFE-Ring             | Bouchon G1 1/2"                                       | Tappo G 1 1/2" con anello di PTFE compl. | Pluggen G 1 1/2" met PTFE-ring compl.    | Tapón G 1 1/2" con anillo de PTFE compl. |
| 13  | Cover electric heater black 1000/2       | Couvercle Chauff. électrique noir 1000/2              | Coperchio Resistenza elettr. nero 1000/2 | Afdekking Elektroverwarming 1000/2       | Recubrimiento resistencia eléct. 1000/2  |
|   | Badge label Buderus packed               | Plaque signalétique Buderus                           | Targhetta caldaia Buderus                | Toestelplaat Buderus                     | Placa del aparato Buderus                |
|   | Cover rail_buffer tank 500/750L          | Couvre-joint Réservoir tampon 500/750L                | Listello di copertura Bollitore 500/750L | Afdekstrook Bufferboiler 500/750L        | Támina de cubierta Acumulador 500/750L   |
|   | Cover rail buffer tank 1000L             | Couvre-joint Réservoir tampon 1000L                   | Listello di copertura Bollitore 1000L    | Afdekstrook Bufferboiler 1000L           | Támina de cubierta Acumulador 1000L      |
| <b>3</b>                                  | <b>Element of construction</b>           | <b>Groupe de construction</b>                         | <b>Gruppo di costruzione</b>             | <b>Montagegroep</b>                      | <b>Grupo de construccion</b>             |
| 1   | 2Kw 1PH/HEATER 1 1/2" w. Controller      | Resist elec 2kw avec thermostat                       | Resistenza elettrica 2KW 1 1/2"          | Elektr. weerstand 6/4" + regeling 2 kW   | Resistencia eléctrica 2 kw con brida 1   |
| 1   | 3Kw 1PH/HEATER 1 1/2" w. Controller      | Resist elec 3kw avec thermostat                       | Resistenza elettrica 3KW 1 1/2"          | Elektr. weerstand 6/4" + regeling 3 kW   | Resistencia eléctrica 3 kw con brida 1   |
| 1   | 4,5Kw 1PH/HEATER 1 1/2" w. Controller    | Resist elec 4,5kw tri avec thermostat                 | Resistenza elettrica 4,5KW 1 1/2"        | Elektr. weerstand 6/4" + regeling 4,5 kW | Resistencia eléctrica 4,5 kw con brida   |
| 1   | 6Kw 1PH/HEATER 1 1/2" w. Controller      | Resist elec 6kw tri avec thermostat                   | Resist. electr. 6kW per puffer P...S-Sol | Elektr. weerstand 6/4" + regeling 6 kW   | Resistencia eléctrica 6 kw con brida 1   |
| 1   | 9Kw 1PH/HEATER 1 1/2" w. Controller      | Resist elec 9kw tri avec aquastat                     | Resist. electr. 9kW per puffer P...S-Sol | Elektr. weerstand 6/4" + regeling 9 kW   | Resistencia eléctrica 9 kw con brida     |
| 2   | Rotary selector E-heater regulator       | BOUTON DE REGLAGE RESISTANCE                          | Manopola Controllo E-riscaldatore        | Regelknop regelaar e-radiateur           | Botón giratorio acumulador               |
| 3   | Gasket 106x114x2                         | JOINT 106x114x2mm                                     | Guarnizione 106x114x2                    | Pakking 106x114x2                        | Junta resistencia 106x114x2              |
| 4   | Control thermostat                       | Thermostat ballon ST1000/2                            | Regolatore di temperatura                | Regelaquastaat voor elekt. weerstand     | Regulador de temperatura                 |
| 5   | Gasket D48x60x3mm                        | JOINT D48X60X3mm                                      | Guarnizione D 48x60x3 mm                 | Dichting D48x60x3mm                      | Junta D48x60x3mm                         |
|   |  |   |  |  |  |
|   |  |   |  |  |  |
|   |  |   |  |  |  |
|   |  |   |  |  |  |
|   |  |   |  |  |  |

| Gerätetypen<br>Types of appliances                                   | Types de chaudières<br>Tipo apparecchi  | Toesteltypen<br>Tipos de aplicaciones             |   |
|--|---|---|---|
| Gerät<br>Appliance<br>Chaudière<br>Apparecchio<br>Toestel<br>Aparato | Bestell-Nr.<br>Ordering no.<br>Numéro de commande<br>N° d'ordine<br>Bestelnummer<br>Número el ordenar | Land<br>Country<br>Pays<br>Paese<br>Land<br>Paese | Bemerkungen<br>Remarks<br>Remarques<br>Osservazioni<br>Opmerkingen<br>Observaciones |
|  |   |   |   |
| PR500/5 E "SA3"  | 8 718 544 823   | Aserbajdschan,Bosnien und Herzegowina,            |   |
| PR500-80/5 E "SA3"   | 7 736 501 714   | Aserbajdschan,Bosnien und Herzegowina,            |   |
| PR500-80/5 EW "SA3"  | 7 736 501 730   | Aserbajdschan,Bosnien und Herzegowina,            |   |
| PR500-120/5 E "SA3"  | 7 736 501 746   | Aserbajdschan,Bosnien und Herzegowina,            |   |
| PR500-120/5 EW "SA3"   | 7 736 501 762   | Aserbajdschan,Bosnien und Herzegowina,            |   |
| PR750/5 E "SA3"  | 8 718 544 834   | Aserbajdschan,Bosnien und Herzegowina,            |   |
| PR750-80/5 E "SA3"   | 7 736 501 719   | Aserbajdschan,Bosnien und Herzegowina,            |   |
| PR750-80/5 EW "SA3"  | 7 736 501 735   | Aserbajdschan,Bosnien und Herzegowina,            |   |
| PR750-120/5 E "SA3"  | 7 736 501 751   | Aserbajdschan,Bosnien und Herzegowina,            |   |
| PR750-120/5 EW "SA3"   | 7 736 501 767   | Aserbajdschan,Bosnien und Herzegowina,            |   |
| PR1000/5 E "SA3"   | 8 718 544 844   | Aserbajdschan,Bosnien und Herzegowina,            |   |
| PR1000-80/5 E "SA3"  | 7 736 501 724   | Aserbajdschan,Bosnien und Herzegowina,            |   |
| PR1000-80/5 EW "SA3"   | 7 736 501 740   | Aserbajdschan,Bosnien und Herzegowina,            |   |
| PR1000-120/5 E "SA3"   | 7 736 501 756   | Aserbajdschan,Bosnien und Herzegowina,            |   |
| PR1000-120/5 EW "SA3"  | 7 736 501 708   | Aserbajdschan,Bosnien und Herzegowina,            |   |
|  |   |   |   |
| PR500/5 E "SA1/2/4"  | 8 718 544 822   | Belgien,Deutschland,Dänemark,England,             |   |
| PR500-80/5 E "SA1/2/4"   | 7 736 501 632   | Belgien,Deutschland,Dänemark,England,             |   |
| PR500-80/5 EW "SA1/2/4"  | 7 736 501 636   | Belgien,Deutschland,Dänemark,England,             |   |
| PR500-120/5 E "SA1/2/4"  | 7 736 501 640   | Belgien,Deutschland,Dänemark,England,             |   |
| PR500-120/5 EW "SA1/2/4"   | 7 736 501 644   | Belgien,Deutschland,Dänemark,England,             |   |
| PR750/5 E "SA1/2/4"  | 8 718 544 833   | Belgien,Deutschland,Dänemark,England,             |   |
| PR750-80/5 E "SA1/2/4"   | 7 736 501 648   | Belgien,Deutschland,Dänemark,England,             |   |
| PR750-80/5 EW "SA1/2/4"  | 7 736 501 652   | Belgien,Deutschland,Dänemark,England,             |   |
| PR750-120/5 E "SA1/2/4"  | 7 736 501 656   | Belgien,Deutschland,Dänemark,England,             |   |
| PR750-120/5 EW "SA1/2/4"   | 7 736 501 660   | Belgien,Deutschland,Dänemark,England,             |   |
| PR1000/5 E "SA1/2/4"   | 8 718 544 843   | Belgien,Deutschland,Dänemark,England,             |   |
| PR1000-80/5 E "SA1/2/4"  | 7 736 501 663   | Belgien,Deutschland,Dänemark,England,             |   |
| PR1000-80/5 EW "SA1/2/4"   | 7 736 501 666   | Belgien,Deutschland,Dänemark,England,             |   |
| PR1000-120/5 E "SA1/2/4"   | 7 736 501 669   | Belgien,Deutschland,Dänemark,England,             |   |
| PR1000-120/5 EW "SA1/2/4"  | 7 736 501 672   | Belgien,Deutschland,Dänemark,England,             |   |
|  |   |   |   |
| PR500-80/5 E "SA1/2/4"   | 7 739 603 996   | Deutschland,Luxemburg                             |   |
| PR500-80/5 EW "SA1/2/4"  | 7 739 604 012   | Deutschland,Luxemburg                             |   |









Bosch Thermotechnik GmbH  
D-35576 Wetzlar / Germany

**Buderus**