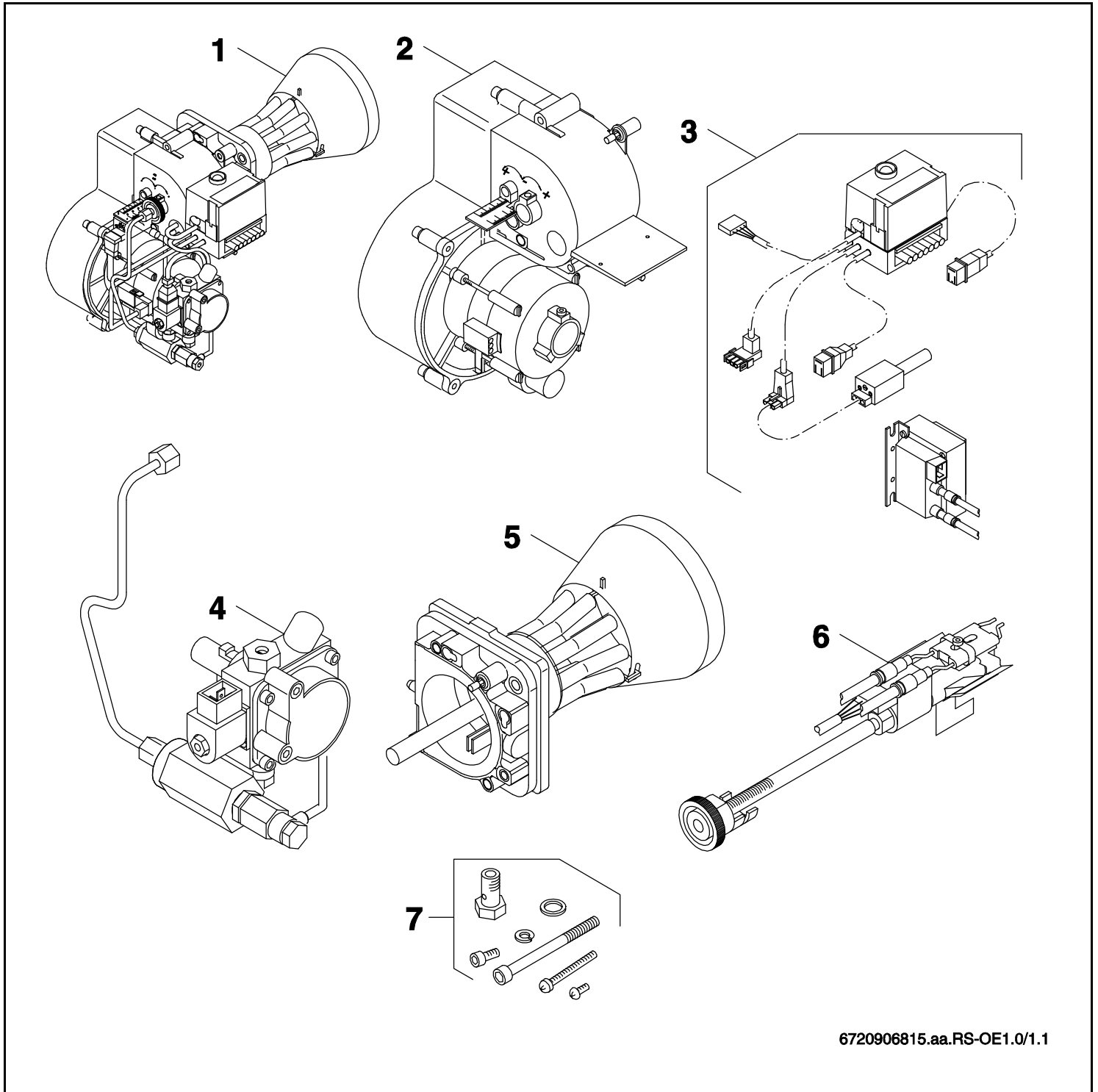


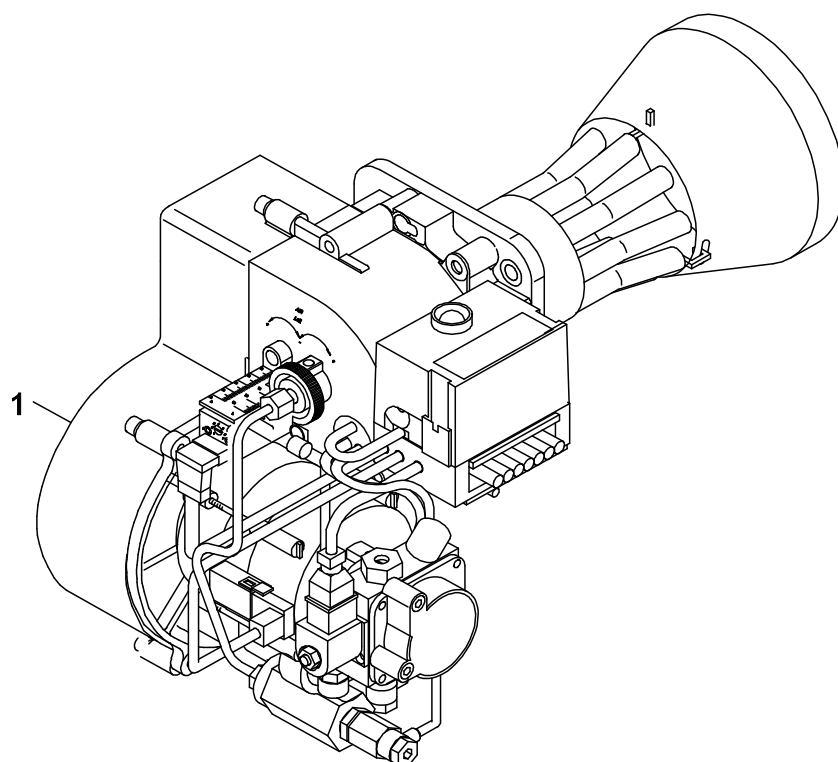
Öl-Gebläsebrenner Logatop OE 1.0/1.1



6720906815.aa.RS-OE1.0/1.1

Buderus

Ersatzteilliste
Spare parts list



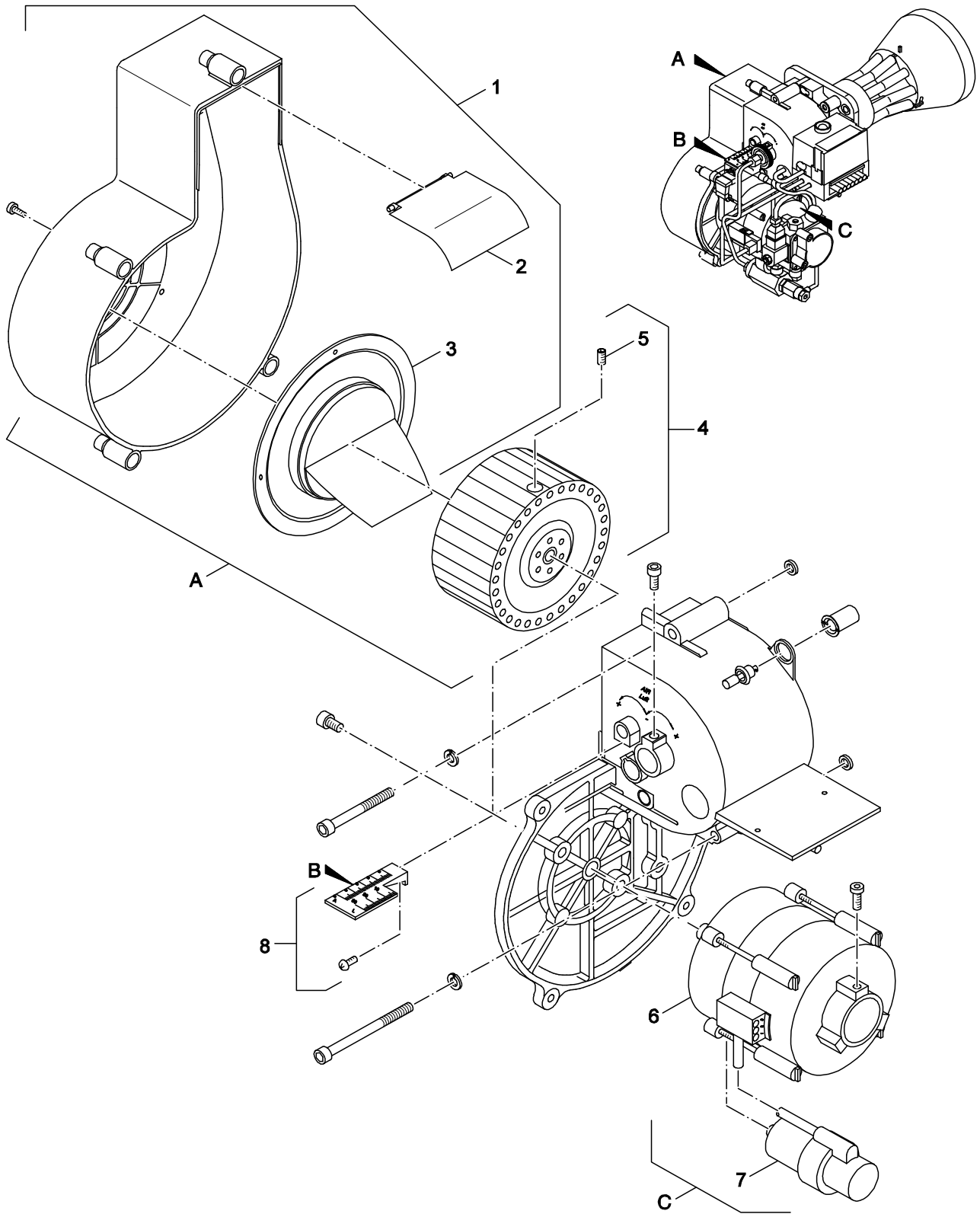
6720906816.aa.RS-Brennervarianten OE1.0/1.1

Brennervarianten
Burner versions

Öl-Gebläsebrenner
Logatop OE 1.0/1.1

1

Ersatzteilliste
Spare parts list



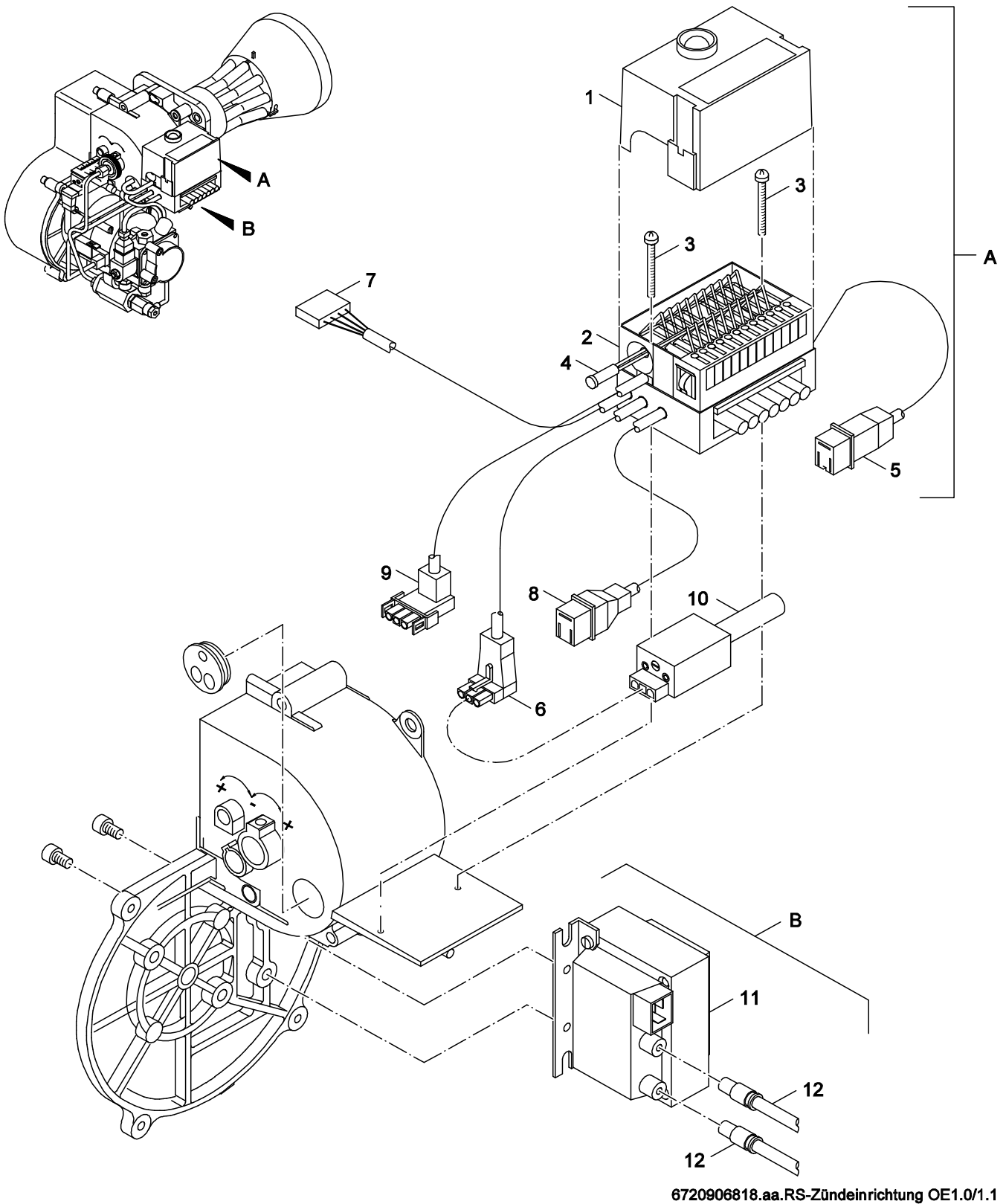
6720906817.aa.RS-Gebläse OE1.0/1.1

Gebläse
fan

Öl-Gebläsebrenner
Logatop OE 1.0/1.1

2

Ersatzteilliste
Spare parts list



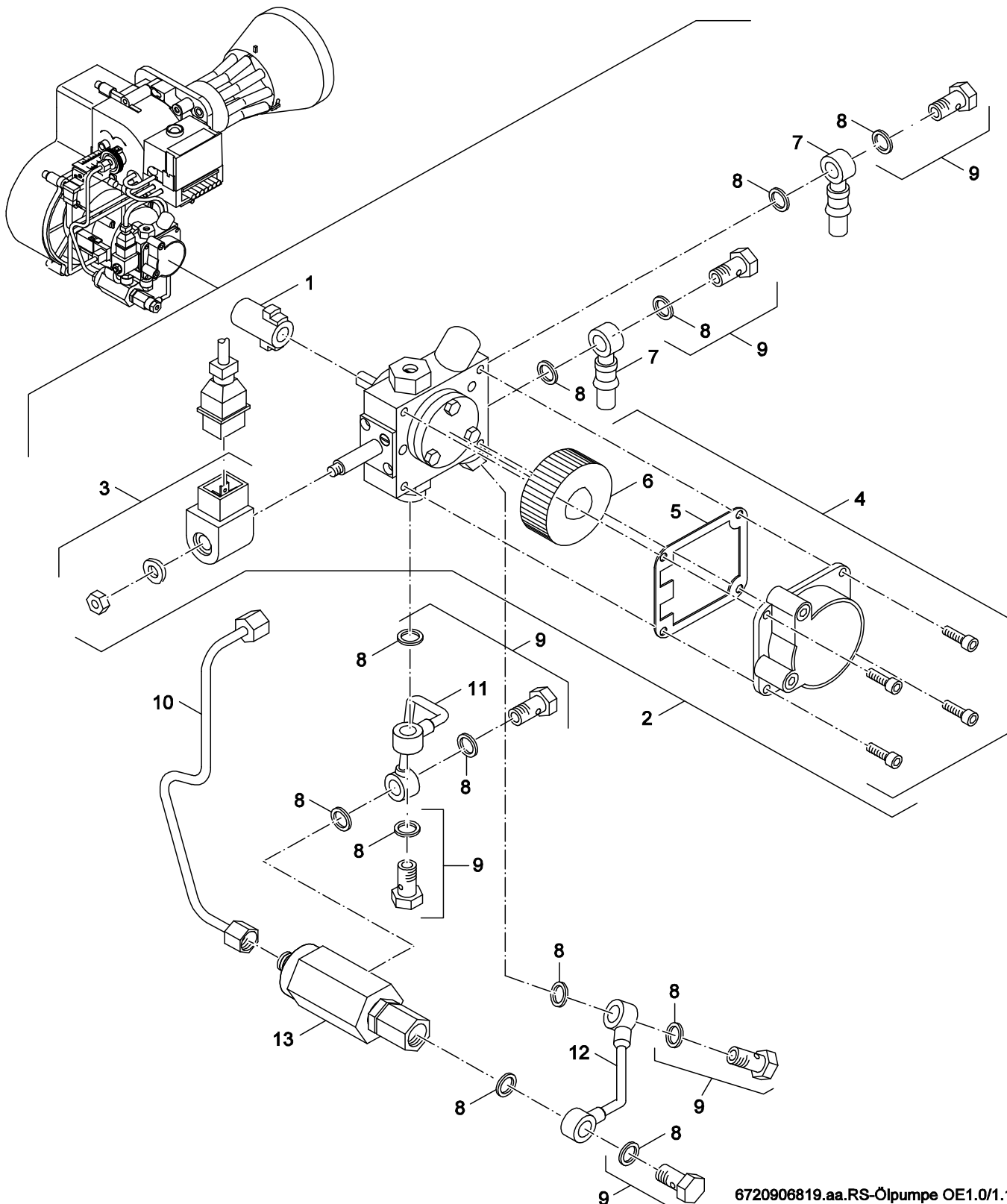
6720906818.aa.RS-Zündeinrichtung OE1.0/1.1

Zündeinrichtung
ignition device

Öl-Gebläsebrenner
Logatop OE 1.0/1.1

3

Ersatzteilliste
Spare parts list



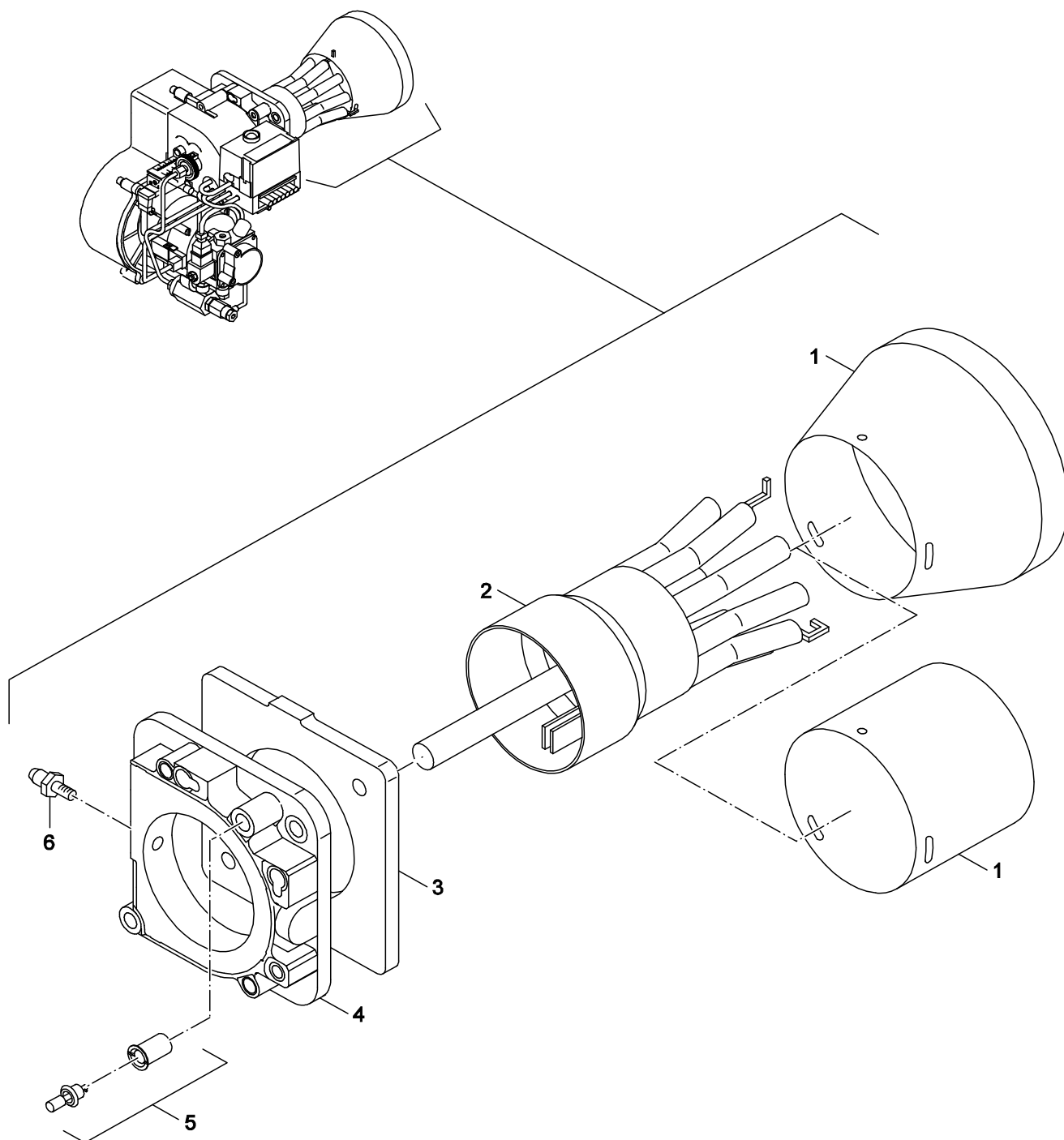
6720906819.aa.RS-Ölpumpe OE1.0/1.1

Ölpumpe
oil pump

Öl-Gebläsebrenner
Logatop OE 1.0/1.1

4

Ersatzteilliste
Spare parts list



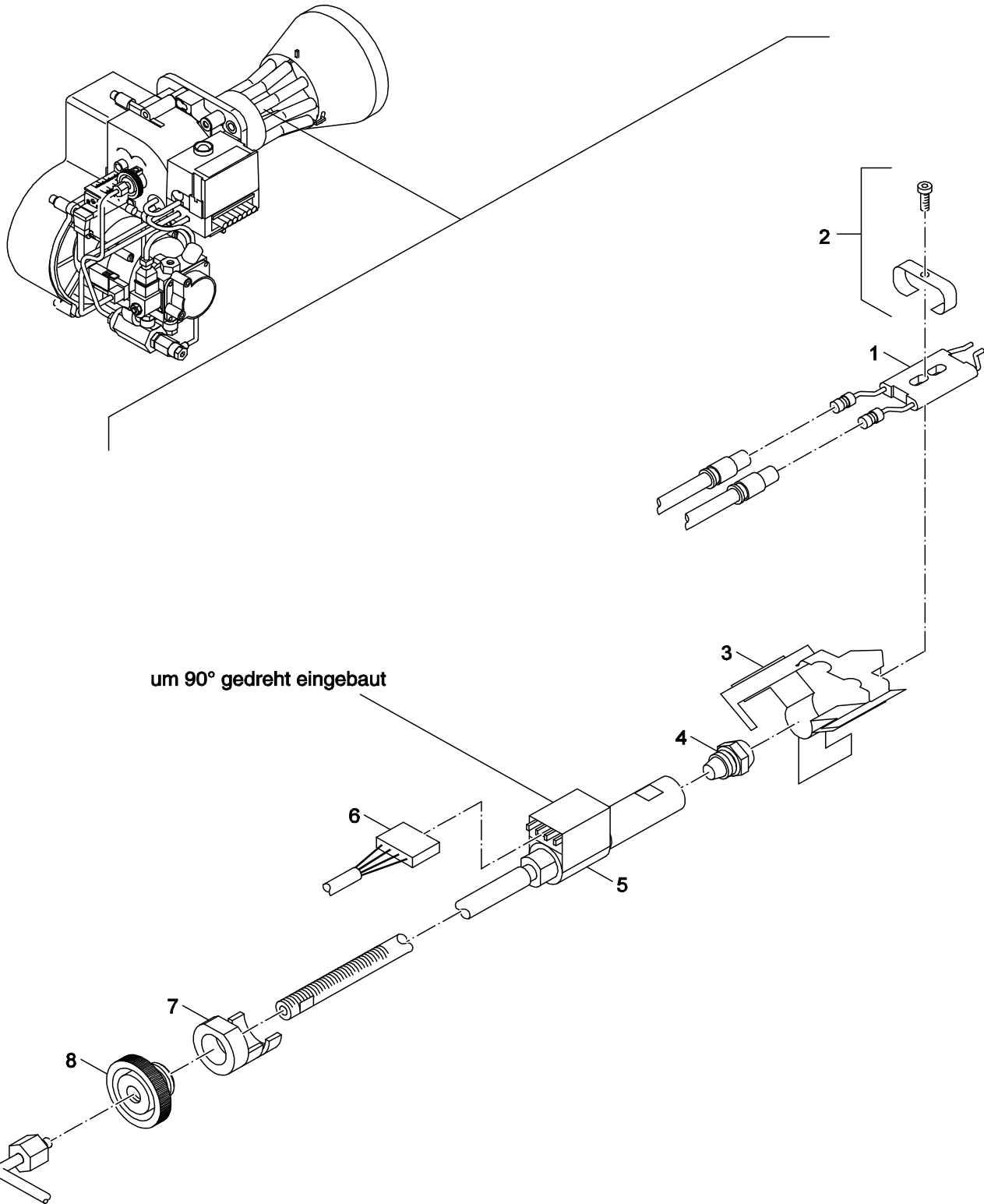
6720906820.aa.RS-Mischeinrichtung OE1.0/1.1

Mischeinrichtung
mixer

Öl-Gebläsebrenner
Logatop OE 1.0/1.1

5

Ersatzteilliste
Spare parts list



um 90° gedreht eingebaut

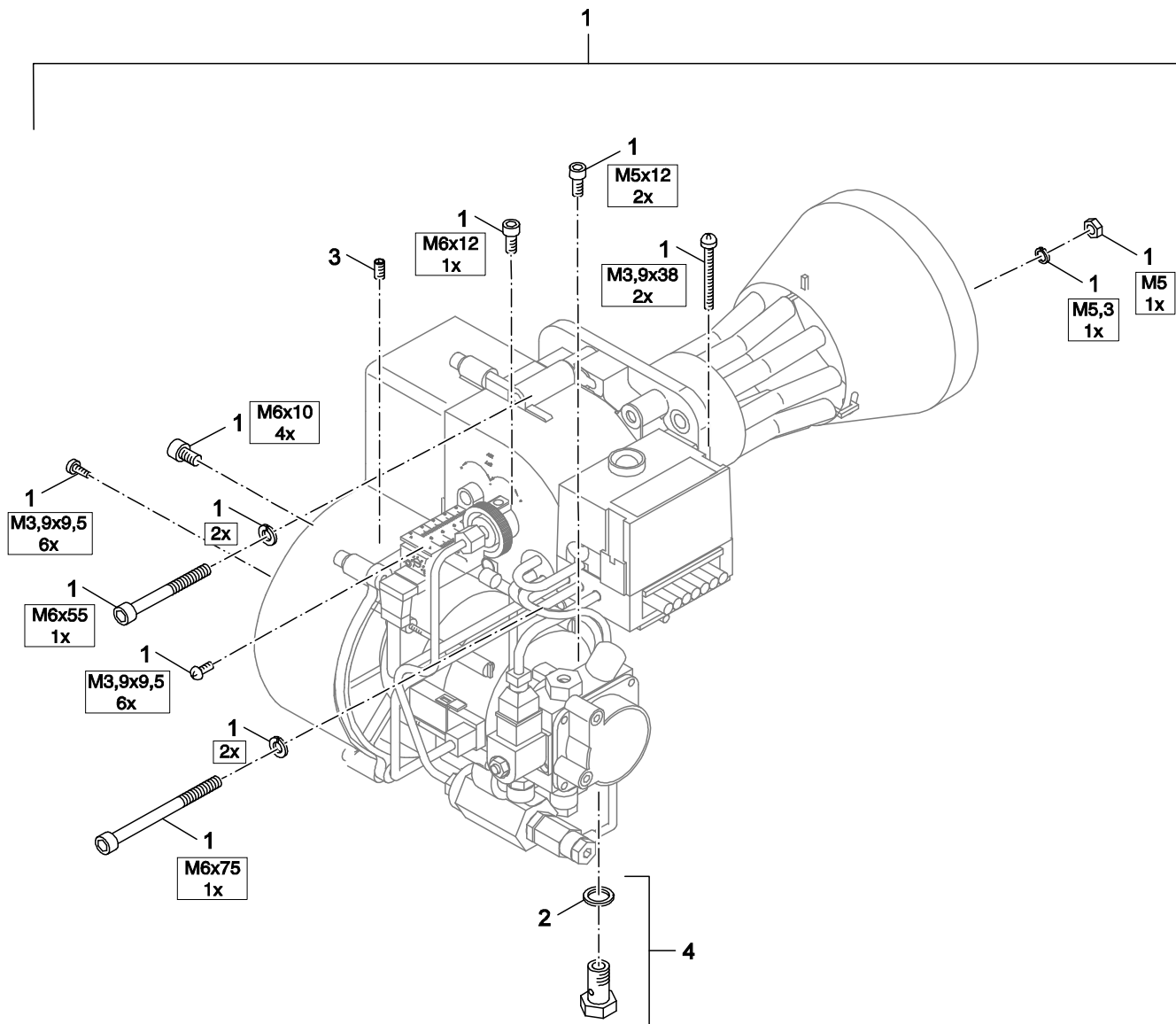
6720906821.aa.RS-Düsenstock OE1.0/1.1

Düsenstock
blast tube connection

Öl-Gebläsebrenner
Logatop OE 1.0/1.1

6

Ersatzteilliste
Spare parts list



6720906822.aa.RS-Montagematerial OE1.0/1.1

Montagematerial
installation material

Öl-Gebläsebrenner
Logatop OE 1.0/1.1

7

Übersetzungsliste List of translations

Pos	Description
1	Element of construction
1	Oil burner OE 1.1-17 G
1	Oil burner OE 1.1-21 G
2	Element of construction
1	Housing half I C BC
2	Air flap
3	Inlet air duct I
3	Inlet air duct II
4	Fan impeller 108x52
4	Fan impeller 133x52
5	Threaded pin DIN913 M6x6
6	Motor 90 Watt
7	Capacitor 3µF
8	Scale angle, 1 Piece
3	Element of construction
1	Burner control unit LOA 24.171B27
2	Base
3	Lens screw DIN7985 M4X40 5 8
4	Signal lights, green, 5 Piece
5	Connecting cable for Ignition
6	Cable 350mm
7	Connecting cable for oil heater, 445
8	Connecting cable for solenoid valve,
9	Connecting cable for Motor
10	IR-flicker detector IRD 1010Axi white
11	Ignition transformer Oil
12	igniter sensor cable 420mm (2x)
4	Element of construction
1	Clutch white (2x)
2	Oil pump Suntec AS47A Rev 4
3	solenoid coil Suntec 220-240V/50-60Hz
4	Cover kit for SUNTEC pump
5	gasket oil pump AS 47 (2x)
6	filter oil pump A70 Rev.3 AS 47 (2x)
7	Oil hose 1/8" NW 4x1000
8	Cu seal ring 14/10x2 (50x)
9	Retrofitted TE-OE
10	Oil pipe Droplless nozzle connecting rods
11	Oil pipe Droplless bend
12	Oil pipe Droplless return
13	Droplless
5	Element of construction
1	Recirculation pipe OE 1.0-17 V2
1	Recirculation pipe 1.0, 21G
1	Recirculation pipe 1.0, 28G/34G
2	OE mixing head 1.0, 17G
2	OE mixing head 1.0, 21G
2	OE mixing head 1.0, 28G
2	OE mixing head 1.0, 34G
3	Flange gasket
4	Flange without pressure test nozzle
5	Pressure fastener
6	Pressure test nipple 5 pc.
6	Element of construction
1	ignition electrode OE 1.1 17-34kW
2	Fixing bracket with Screw for Ignition
3	Centering star

Bosch Thermotechnik GmbH
Sophienstraße 30-32
D-35576 Wetzlar
www.buderus.de

Buderus