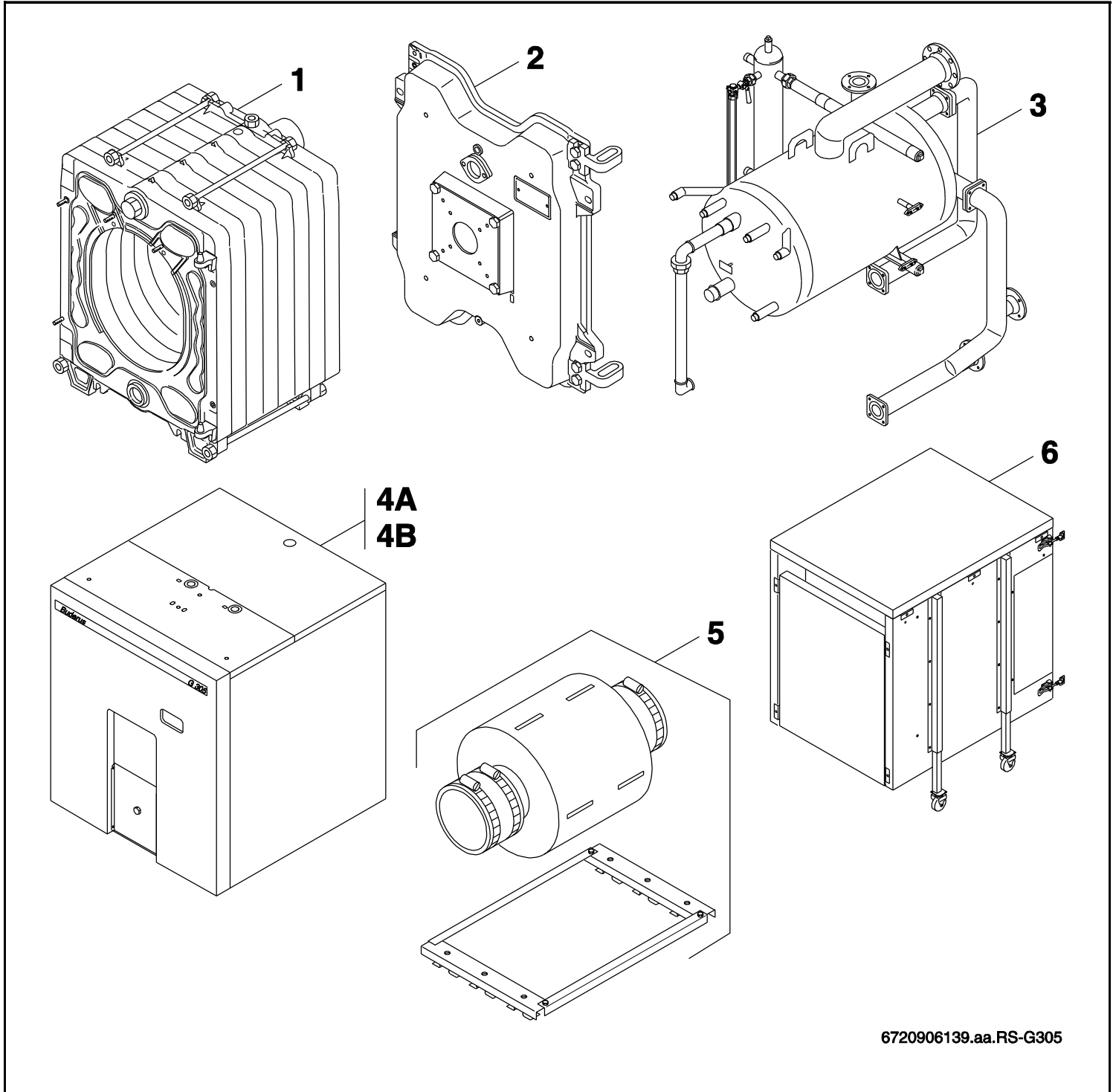


G305, G305U und GD305 70-160 kW



6720906139.aa.RS-G305

Buderus

[de] Wichtige Hinweise zur Installation/Montage

Die Installation/Montage muss durch eine für die Arbeiten zugelassene Fachkraft unter Beachtung der geltenden Vorschriften erfolgen.

[en] Important notes on installation/assembly

The installation/assembly must be carried out by a professional who is authorised to do the work, and with due regard to the relevant regulations.

[fr] Instructions importantes pour l'installation/le montage

L'installation/le montage doit être effectué(e) par un spécialiste qualifié pour les opérations concernées et dans le respect des prescriptions applicables.

[bg] Важни указания във връзка с инсталацията/монтажа

Инсталацията/монтажът трябва да се извършва от лицензиран за работите специалист в съответствие с приложимите разпоредби.

[cs] Důležité pokyny k instalaci/montáži

Instalaci/montáž musí při dodržení platných předpisů provést odborný pracovník s příslušným oprávněním pro tyto práce.

[da] Vigtige anvisninger til installationen/monteringen

Installationen/monteringen skal foretages af en godkendt installatør under overholdelse af de gældende forskrifter.

[el] Σημαντικές υποδείξεις για την εγκατάσταση/συναρμολόγηση

Η εγκατάσταση/συναρμολόγηση πρέπει να πραγματοποιείται από εξουσιοδοτημένο για τις εργασίες αυτές τεχνικό προσωπικό, το οποίο θα πρέπει να φροντίζει ώστε να τηρούνται οι ισχύουσες διατάξεις.

[es] Indicaciones importantes para instalación/montaje

La instalación/el montaje lo debe realizar personal especializado autorizado para los trabajos, respetando las prescripciones vigentes.

[et] Olulised juhised paigaldamiseks/montaažiks

Paigaldamist/montaaži tohib läbi viia selleks volitusi omav spetsialist, arvestades kehtivaid nõudeid.

[fi] Belangrijke aanwijzingen betreffende de installatie/montage

De installatie/montage moet worden uitgevoerd door een voor de werkzaamheden geautoriseerde installateur. Hij moet rekening houden met de geldende voorschriften.

[fi] Tärkeitä asennus- ja kokoonpano-ohjeita

Näihin töihin hyväksytyn ammattiasentajan pitää suorittaa asennus- ja kokoonpanotyöt voimassa olevien määräysten mukaisesti.

[hu] Fontos tudnivalók az installáláshoz/szereléshez

Az installálást/szerelést egy, a munkákra felhatalmazott szakembernek kell végeznie, az érvényes előírások figyelembevételével.

[it] Avvertenze importanti per l'installazione/il montaggio

L'installazione/il montaggio deve aver luogo ad opera di una ditta specializzata ed autorizzata in osservanza delle disposizioni vigenti.

[he] מניפולציות חשובות מיתיתותבניו ינסטלציות/מונטאז'יות

ינסטלציות/מונטאז' יונדא גאנבורציעלדעס סאמוואויגבניו ינסטלציות דאזשעבולע קבאליוציטורו פערסאנאלס מיער, מוקבעדי גאנאפניס דאציוו.

[lt] Svarbios instaliavimo ir (arba) montavimo nuorodos

Instaliuoti ir montuoti, laikantis galiojančių taisyklių, leidžiama kvalifikuotiems specialistams, kurie buvo įgalioti šiems darbams atlikti.

[lv] Svarīgi norādījumi par iekārtas uzstādīšanu / montāžu

Iekārtas uzstādīšanu/montāžu ir jāveic specializētam sertificētam speciālistam, ievērojot spēkā esošos noteikumus.

[nl] Belangrijke aanwijzingen betreffende de installatie/montage

De installatie/montage moet worden uitgevoerd door een voor de werkzaamheden geautoriseerde installateur rekening houdend met de geldende voorschriften.

[no] Viktig informasjon om installasjon/montering

Installasjonen/monteringen skal gjennomføres av autoriserte installatører, og gjeldende forskrifter skal følges.

[pl] Ważne wskazówki dotyczące instalacji/montażu

Instalacja /montaż muszą być wykonane przez uprawnionego do tego rodzaju prac specjalistę przy zachowaniu obowiązujących przepisów.

[pt] Indicações importantes relativas à instalação/montagem

A instalação/montagem deve ser efetuada por um técnico especializado com qualificações para estes trabalhos, tendo em atenção os regulamentos em vigor.

[ro] Indicații importante privind instalarea/montajul

Instalarea/montajul trebuie realizate de către un specialist autorizat pentru lucrările respective, respectându-se prescripțiile valabile.

[ru] Важные указания по подключению/монтажу

Подключение/монтаж должны выполнять специалисты, имеющие допуск к выполнению таких работ, при соблюдении действующих норм и правил.

[sk] Dôležité pokyny týkajúce sa inštalácie/montáže

Inštaláciu/montáž musí realizovať odborník s oprávnením na výkon týchto prác, pričom musí dodržiavať platné predpisy.

[sl] Pomembni napotki za namestitvev/montažo

Namestitvev/montažo mora izvesti strokovnjak, pristojen za tovrstna dela, ob upošte vanju veljavnih predpisov.

[sr] Važna uputstva za ugradnju i montažu

Ugradnju i montažu moraju da obave samo stručna lica ovlašćena za izvođenje takvih radova koja će poštovati važeće propise.

[sv] Viktiga anvisningar för installation/montering

Installationen/monteringen måste utföras av en behörig och fackkunnig person enligt gällande föreskrifter.

[tr] Kurulum/Montaj ile ilgili önemli uyarılar

Kurulum/Montaj çalışmaları sadece yetkili bayiler tarafından aşağıda belirtilen talimatlar dikkate alınarak yapılmalıdır.

[uk] Важливі вказівки щодо установки/монтажу

Установку/монтаж мають здійснювати фахівці, що мають дозвіл на проведення цих робіт, із дотримання чинних приписів.

[zh] 安装方面的重要提示

必须由受到许可承担该项工作的专业人员遵照相关法规进行安装。

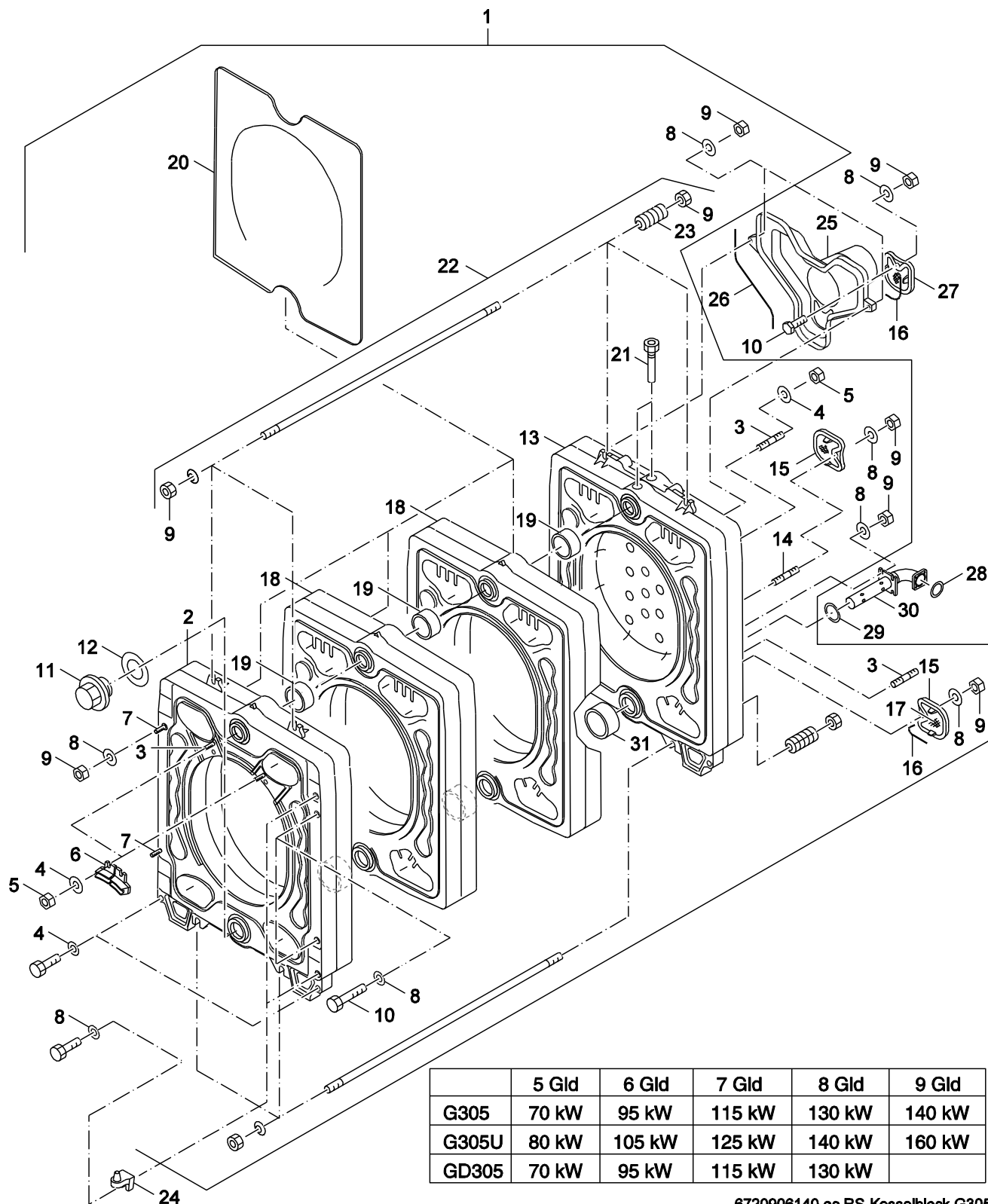
[ar] ملاحظات هامة للتجميع

يجب أن يتم التجميع من قبل متخصص مصرح له بالعمل، مع مراعاة اللوائح السارية.

[fa] تذکرات مهم درباره نصب/مونتاژ

نصب/مونتاژ باید توسط فردی حرفه ای که مجاز به انجام این کار است، و همچنین با توجه کامل به مقررات مربوطه انجام شود.

Ersatzteilliste
Spare parts list



	5 Gld	6 Gld	7 Gld	8 Gld	9 Gld
G305	70 kW	95 kW	115 kW	130 kW	140 kW
G305U	80 kW	105 kW	125 kW	140 kW	160 kW
GD305	70 kW	95 kW	115 kW	130 kW	

6720906140.ac.RS-Kesselblock G305

Kesselblock
Boiler block

G305, G305U und GD305
70-160 kW

1

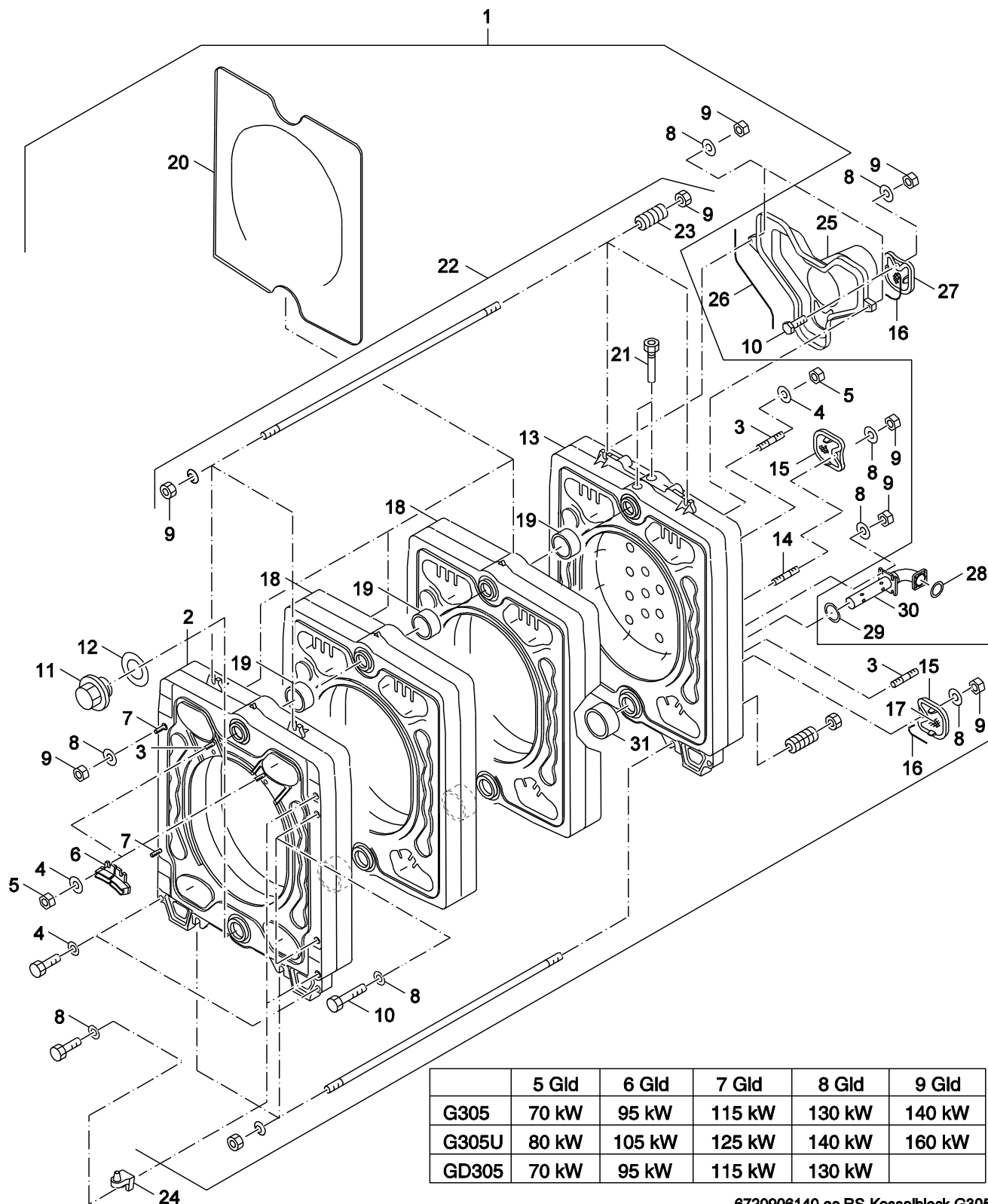
Pos	Bezeichnung Description	Bestell-Nr. Ordering no.	G305/U, GD305																	Bemerkungen Remarks
1	Kesselblock lose 5 Glieder G305	5178570	■																	
1	Kesselblock lose 6 Glieder G305	5178572	■																	
1	Kesselblock lose 7 Glieder G305	5178574	■																	
1	Kesselblock lose 8 Glieder G305	5178576	■																	
1	Kesselblock lose 9 Glieder G305	5178578	■																	
1	Kesselblock zusammengeb. 5 Glieder G305	5178580	■																	
1	Kesselblock zusammengeb. 6 Glieder G305	5178582	■																	
1	Kesselblock zusammengeb. 7 Glieder G305	5178584	■																	
1	Kesselblock zusammengeb. 8 Glieder G305	5178586	■																	
1	Kesselblock zusammengeb. 9 Glieder G305	5178588	■																	
2	Vorderglied G305	8 718 572 210 0	■																	
3	Stiftschraube DIN939-M8x16 5.6	5883332	■																	
4	Unterlegscheibe DIN125 A8,4 A3K (10x)	8 718 571 269 0	■																	
5	6kt-Mutter DIN6923 M8 A3K (10x)	8 718 571 267 0	■																	
6	Sperrplatte G305 f Vgl Mod1065807	5479800	■																	
7	Stiftschraube DIN939 M12x60 5.6	3719204	■																	
8	Scheibe DIN125-A13-A3K (5x)	8 718 584 413	■																	
9	6kt-Mutter ISO4032 M12 8 A3K (4x)	8 718 584 901	■																	
10	Schraube ISO4017 M12x55 8.8 (2St)	8 718 584 404	■																	
11	Blindstopfen G 1 1/2"	8 718 571 257 0	■																	
12	Dichtung D48x63x1,5mm (2x)	8 718 571 259 0	■																	
13	Hinterglied G305 o.RD	8 738 803 586	■																	
14	Stiftschr. DIN939 M12x35 5.6 (2x)	8 718 584 400	■																	
15	Reinigungsdeckel G305 Hgld kpl	5371905	■																	
16	Dichtschnur 10x1070 GP	63020962	■																	
17	Stampfmasse Calde Cast XL106 C/G2,5kg ev	7 747 027 148	■																	
18	Mittelglied G305	8 718 572 211 0	■																	
19	Kesselnippel 55/50 Gr. 0	7 747 024 964	■																	
20	Dichtschnur D15x4300 Pack A serie/everp	8 718 584 415	■																	
20	Dichtschnur D15x4300 Pack B serie/everp	8 718 584 416	■																	
21	Tauchhülse R3/4"x100mm verp	5446065	■																	
22	Ankerstange M12x565 kpl	5153050	■																	
22	Ankerstange M12x685 kpl	5153052	■																	
22	Ankerstange M12x805 kpl	5153054	■																	
22	Ankerstange M12x925 kpl	5153056	■																	
22	Ankerstange M12x1045 kpl	5153058	■																	
23	Federpaket G405/G305/e07/G404-G524 kpl	5244302	■																	
24	Scharnierwinkel G305 Mod1065420	5327036	■																	
25	Abgassammler G305 kpl	5321508	■																	
26	Dichtschnur 10x2000 GP	63020963	■																	
27	Reinigungsdeckel Abgassammler kpl	8 718 584 424	■																	
28	Dichtung D72x96x1,5mm	8 718 571 260 0	■																	
29	Dichtung D94x120x1,5mm (2x)	8 718 572 752 0	■																	
30	Einspeiserohr G305 5+6Gld kpl	5436261	■																	
30	Einspeiserohr G305 7-9Gld kpl	5436263	■																	
31	Kesselnippel 82/50 Gr. 1	7 747 024 965	■																	
	Montageschiene G305 5Gld	5196030	■																	
	Montageschiene G305 6Gld	5196032	■																	
	Montageschiene G305 7Gld	5196034	■																	
	Montageschiene G305 8Gld	5196036	■																	
	Montageschiene G305 9Gld	5196038	■																	
	Wartungspaket G-305 verp	5462080	■																	

**G305, G305U und GD305
70-160 kW**

Kesselblock
Boiler block

1

Ersatzteilliste
Spare parts list



6720906140.ac.RS-Kesselblock G305

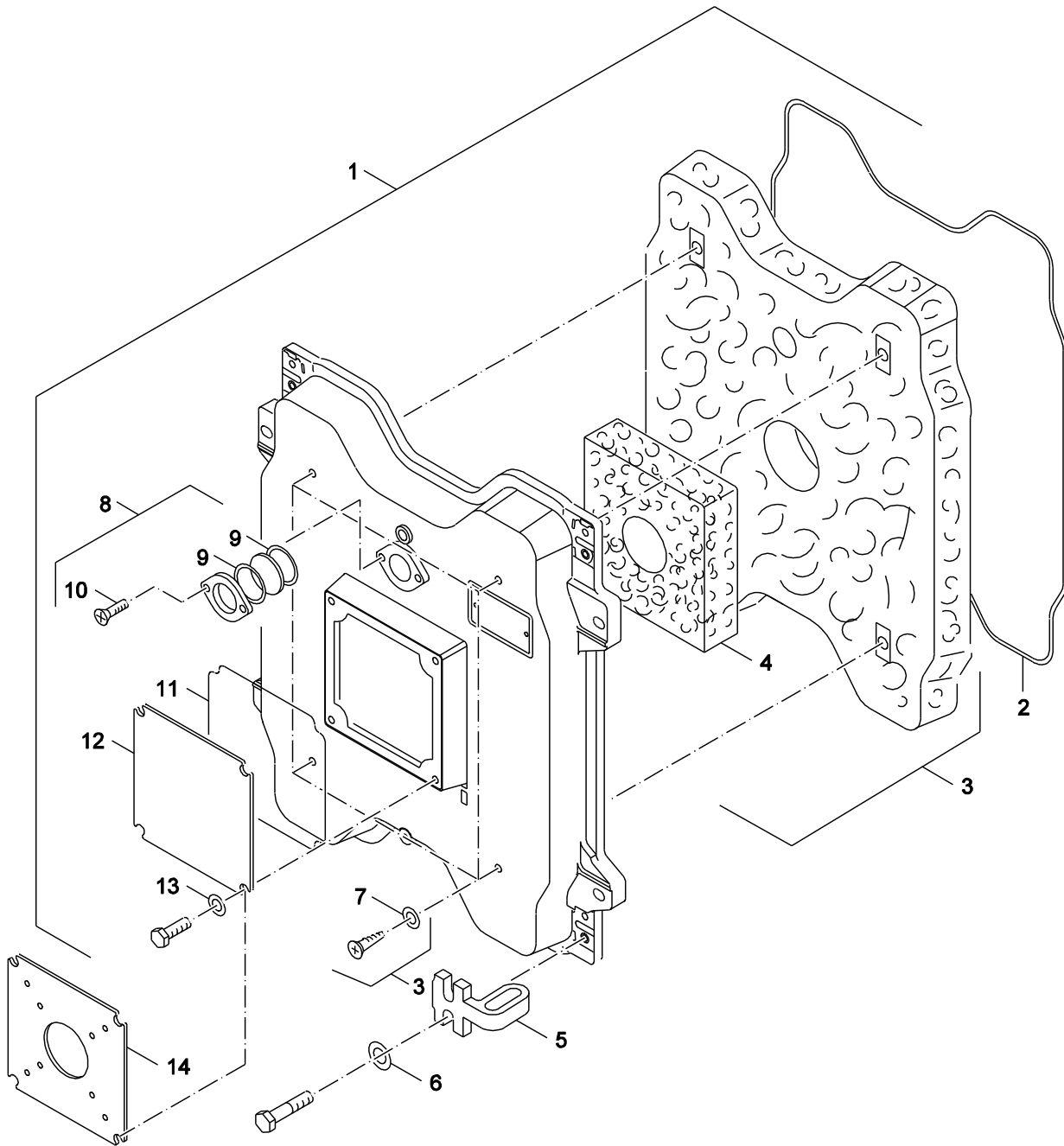
Kesselblock
Boiler block

G305, G305U und GD305
70-160 kW

1

Pos	Bezeichnung Description	Bestell-Nr. Ordering no.	G305/U, GD305																							Bemerkungen Remarks
	Mont-Mat Kesselbl G-305 70/5 VE 2048	5620852	■																							gehört zur Version lose
	Mont-Mat Kesselblock G-305 95/6 VE 2048	5620854	■																							gehört zur Version lose
	Mont-Mat Kesselbl G-305 115/7 VE 2048	5620856	■																							gehört zur Version lose
	Mont-Mat Kesselbl G-305 130/8 VE 2048	5620858	■																							gehört zur Version lose
	Mont-Mat Kesselbl G-305 140/9 VE 2048	5620860	■																							gehört zur Version lose
	Mont-Mat G305 Hgl	5620861	■																							
	Dichtschnur 10x10000, GP	5830584	■																							
	Kesselblock G305 Gr.70/5 ersatz	7 747 030 457	■																							
	Kesselblock G305 Gr.95/6 ersatz	7 747 030 459	■																							
	Kesselblock G305 Gr.115/7 ersatz	7 747 030 460	■																							
	Kesselblock G305 Gr.130/8 ersatz	7 747 030 461	■																							
	Kesselblock G305 Gr.140/9 ersatz	7 747 030 462	■																							
	Dichtmasse Leinölgraphit 450g Dose	8 718 571 927	■																							
	Haftgrund 181 370ml Dose UN1133	8 718 576 019 0	■																							
	Dichtmasse braun 310ml	8 718 576 633 0	■																							
G305, G305U und GD305 70-160 kW																								Kesselblock Boiler block	1	

Ersatzteilliste
Spare parts list



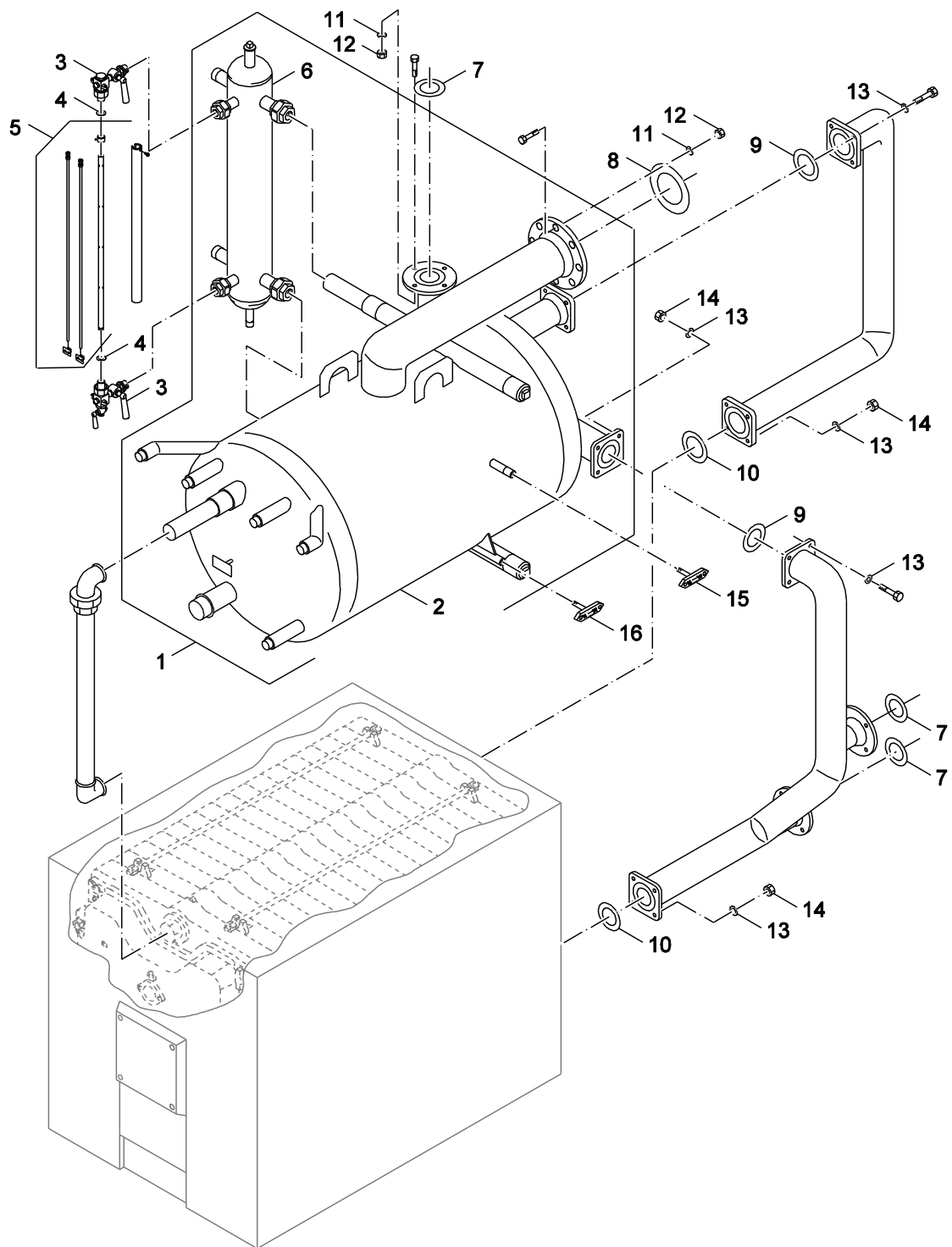
6720906141.aa.RS-Brennertür G305

Brennertür
Burner door

G305, G305U und GD305
70-160 kW

2

Ersatzteilliste
Spare parts list



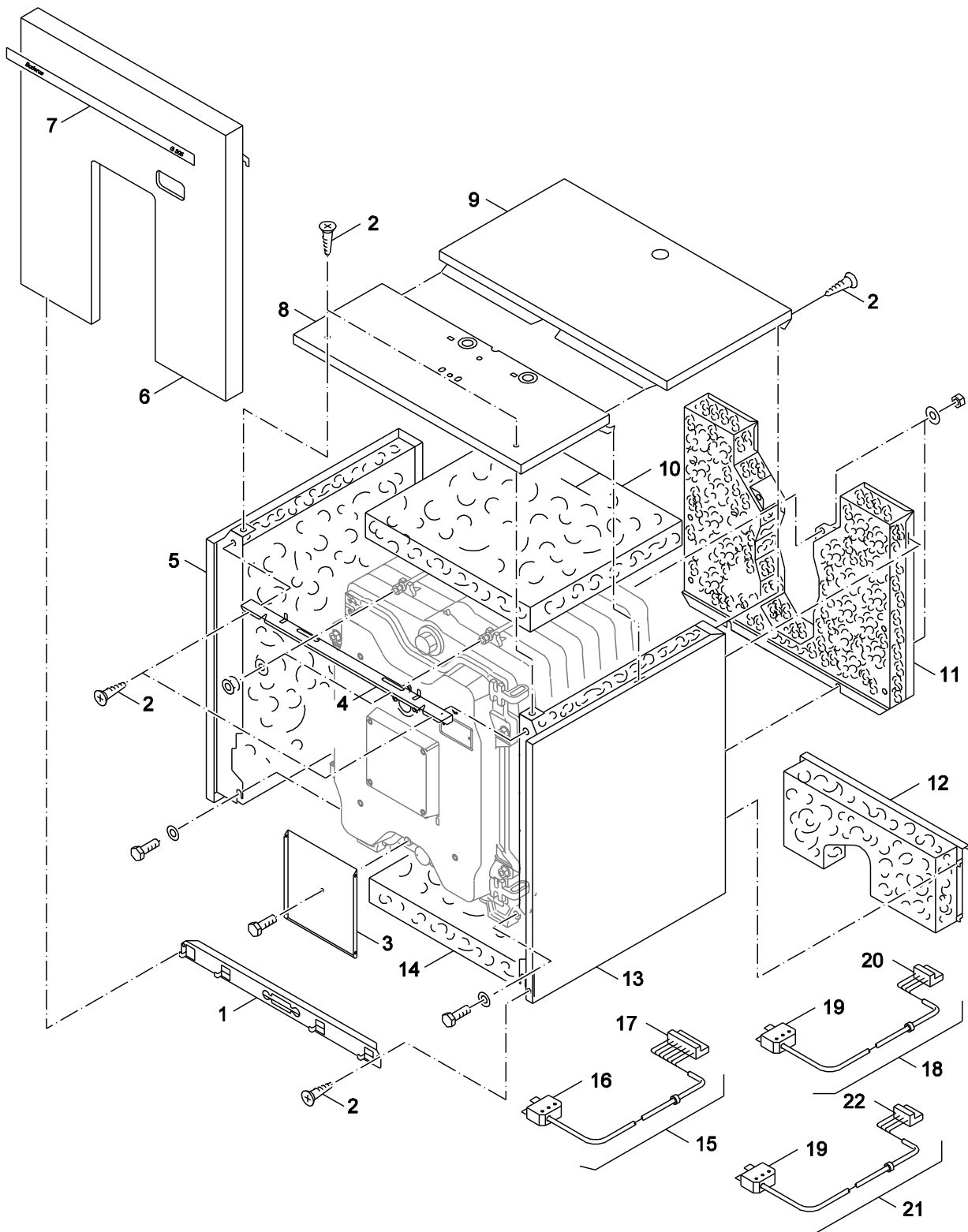
6720906142.aa.RS-Dampftrommel G305

Dampftrommel mit Zubehör GD305
Steam drum

G305, G305U und GD305
70-160 kW

3

Ersatzteilliste
Spare parts list



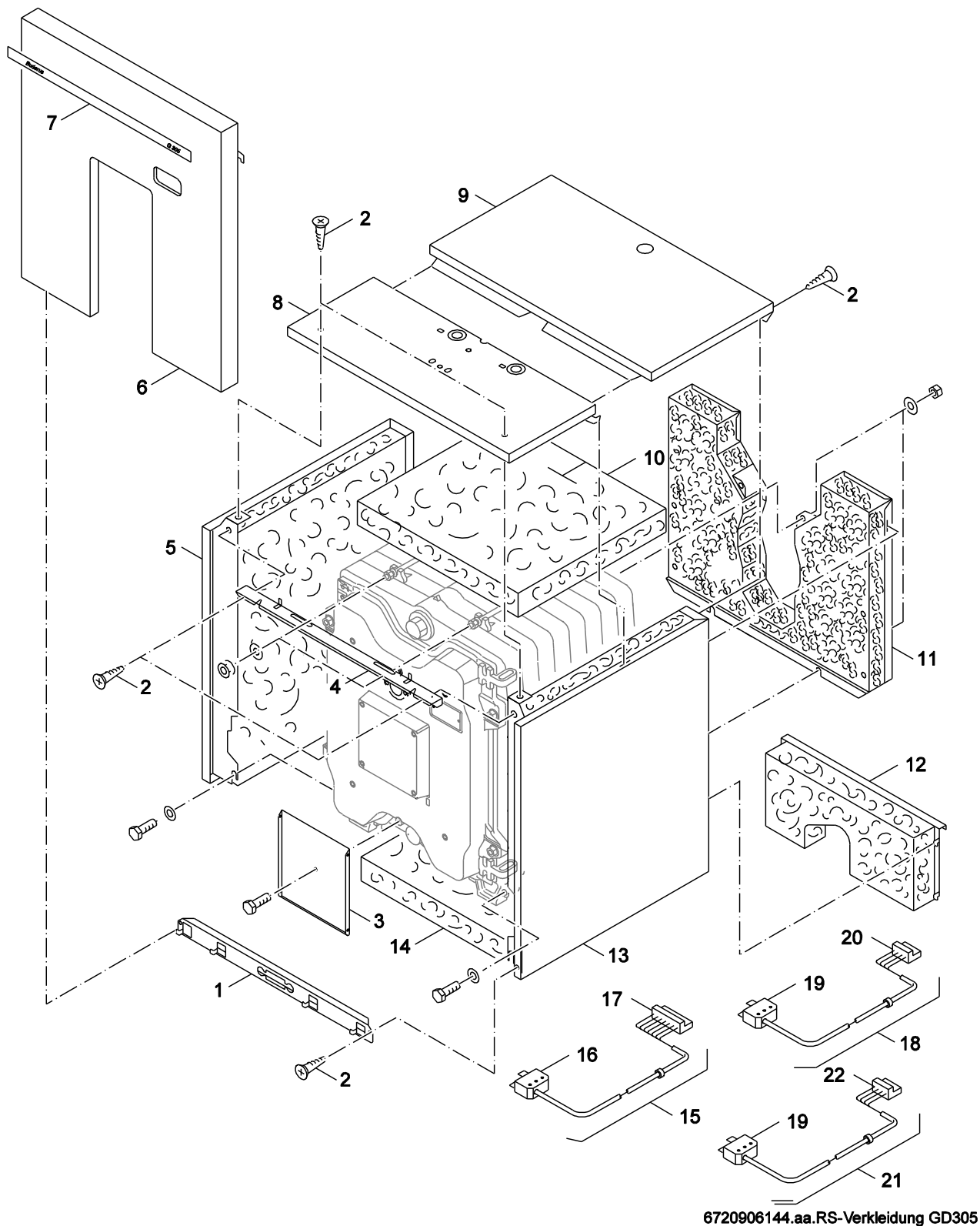
6720906143.aa.RS-Verkleidung G305

4
A

Verkleidung G305/G305U
Housing G305/G305U

G305, G305U und GD305
70-160 kW

Ersatzteilliste
Spare parts list



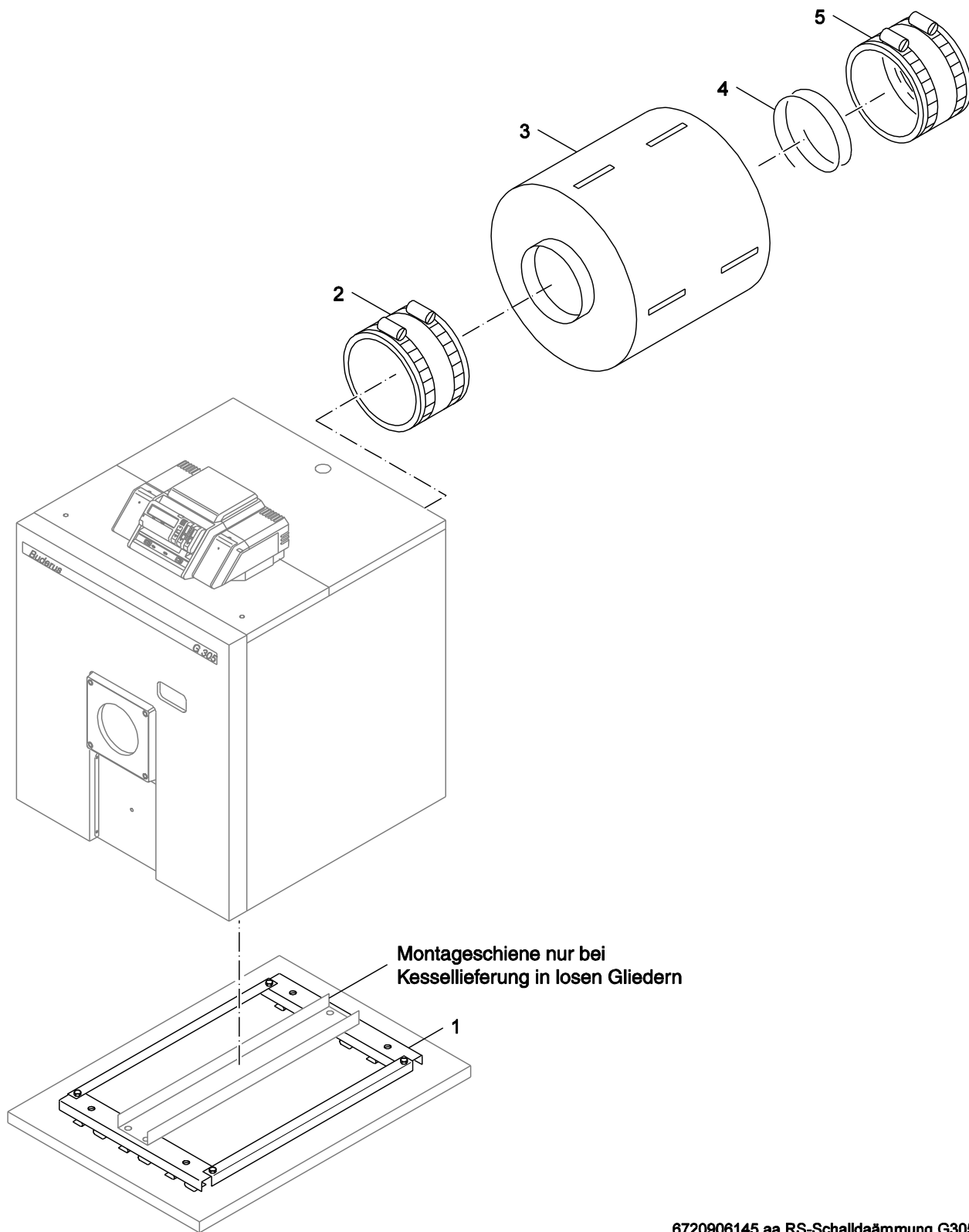
6720906144.aa.RS-Verkleidung GD305

4
B

Verkleidung GD305
Housing GD305

G305, G305U und GD305
70-160 kW

Ersatzteilliste
Spare parts list



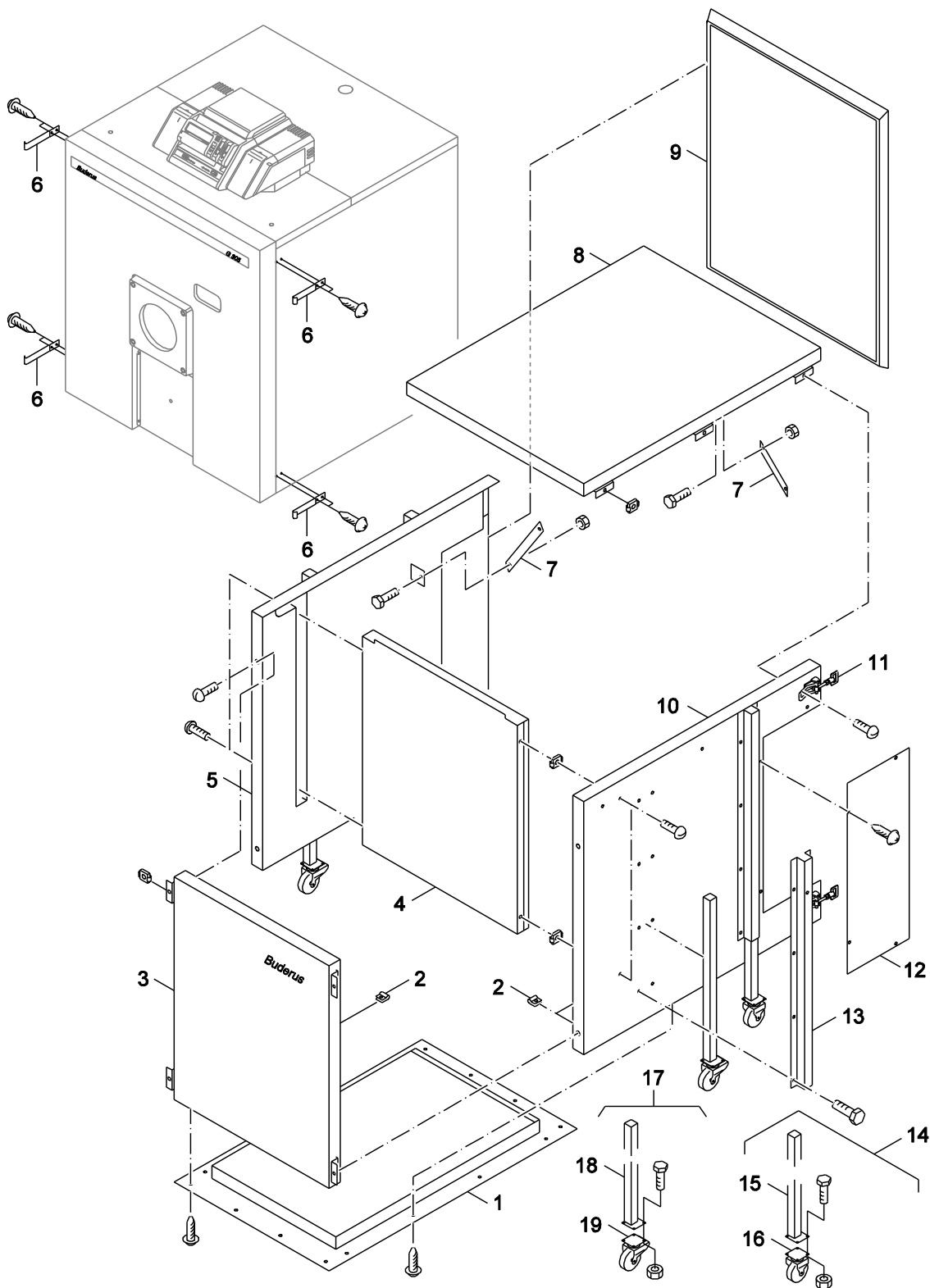
6720906145.aa.RS-Schalldaämmung G305

Bodenplatte, Abgasschalldämpfer
 base plate, flue gas silencer

G305, G305U und GD305
70-160 kW

5

Ersatzteilliste
Spare parts list



6720906146.aa.RS-Brennerschalldämpfhauben G305

Brennerschalldämpfhaube
Acoustic enclosure

G305, G305U und GD305
70-160 kW

6

Übersetzungsliste
List of translations

Pos	Description
1	Element of construction
1	Boiler block loose G305 5 Sections
1	Boiler block loose G305 6 Sections
1	Boiler block loose G305 7 Sections
1	Boiler block loose G305 8 Sections
1	Boiler block loose G305 9 Sections
1	Boiler block assembled G305 5 Sections
1	Boiler block assembled G305 6 Sections
1	Boiler block assembled G305 7 Sections
1	Boiler block assembled G305 8 Sections
1	Boiler block assembled G305 9 Sections
2	Section Frontside G305
3	Stud DIN939-M8x16 5.6
4	Washer DIN125 A3K (10x)
5	Hexagon nut DIN6923 M8 A3K (10x)
6	Blocking plate for front section G305
7	Stud DIN939 M12x60 5.6
8	Disc DIN125-A13-A3K (5x)
9	Nut hex ISO4032 M12 8 A3K (4 pc)
10	Screw ISO4017 M12x55 8.8
11	Blanking plug G 1 1/2
12	gasket D48x63x1,5mm (2x)
13	rear section G305 o.RD
14	Stud DIN939 M12x35 5.6 (2x)
15	Clean-out cover for Rear section
16	Packing cords GP 10x1070mm long
17	Tamping clay 2,5kg bag
18	Section Centre G305
19	Boiler fitting 55/50 Sz 0 repl. pack
20	Rope seal D15x4300 Pack A
20	Rope seal D15x4300 Pack B
21	Sensor well R3/4"x100mm
22	Tie rod M12x565mm 5 Sections G305
22	Tie rod M12x685mm 6 Sections G305
22	Tie rod M12x805mm 7 Sections G305
22	Tie rod M12x925mm 8 Sections G305
22	Tie rod M12x1045mm 9 Sections G305
23	Spring installation
24	Hinge bracket G305
25	Flue gas header G305
26	Packing cords 10x2000 GP
27	Cover cleaning Flue gas header cpl
28	Gasket D72x96x1,5mm
29	Gasket D94x120x1,5mm (2x)
30	Feed pipe for 5-6 Sections
30	Feed pipe for 7-9 Sections
31	Boiler fitting 82/50 Sz 1 repl. pack
	Installation rails for 5 Sections
	Installation rails for 6 Sections
	Installation rails for 7 Sections
	Installation rails for 8 Sections
	Installation rails for 9 Sections
	Maintenance package G305 (VE2009)
	Inst-mat boiler bl G-305 70/5 VE 2048
	Inst-mat boiler bl G-305 95/6 VE 2048
	Inst-mat boiler bl G-305 115/7VE 2048
	Inst-mat boiler bl G-305 130/8VE 2048

Übersetzungsliste
List of translations

Pos	Description
	Inst-mat boiler bl G-305 140/9VE 2048
	Inst-mat G305 Hgl
	VE packing cords GP 10x10000
	Boiler block G305 Gr70/5
	Boiler block G305 Gr.95/6
	Boiler block G305 Gr115/7
	Boiler block G305 Gr.130/8
	Boiler block G305 Gr.140/9
	Sealant linseed oil graphit 450g box sp
	Primer 181 370ml UN1133
	Sealant brown 310ml
2	Element of construction
1	Burner door G305
2	Rope seal 14x2460,GP
3	Thermal insulation Burner door G305
4	Insulating plate Burner door for
5	Hinge for Burner door painted G305
6	Disc DIN125-A13-A3K (5x)
7	Cover DIN9021 A6,4 A3K packed
8	Inspection port plug cover
9	Seal D42x52x1,5mm (5x)
10	Counter sink M5x16 (2x)
11	Packing cords 8x1050 GP
12	Burner plate blind 8x210x210mm G305
13	Washer DIN125 A3K (10x)
14	Burner plate 8x210x210mm + hole
	Sealant brown 310ml
3	Element of construction
1	Steam drum size I 5-6 Sections GD305
1	Steam drum size II 7-8 Sections GD305
2	Steam drum size I 5-6 Sections GD305
2	Steam drum size II 7-8 Sections GD305
3	Cock water gauge 1/2"
4	Gasket for water column gauge glass
5	Pipe glas 535mm + protection rod
6	Steam bottle cpl drum size I+II GD305
7	Gasket D57x96x1.5mm
8	Gasket D100x148x1,5mm
9	Gasket D72x96x1,5mm
10	Gasket D94x120x1,5mm (2x)
11	Washer DIN125 A17 A3K (2x)
12	Nut ISO4032 M16 8 A3K (2x)
13	Disc DIN125-A13-A3K (5x)
14	Nut hex ISO4032 M12 8 A3K (4 pc)
15	MW water level mark
16	NW-Wasserstandmarke
4A	Element of construction
2	Pan-head screw ST3,9x9,5 A3T (10x)
3	Door cover G305
4	Tie-bar top G305/GD305
5	Side panel L.h. 724mm long 5 Sections
5	Side panel L.h. 844mm long 6 Sections
5	Side panel L.h. 964mm long 7 Sections
5	Side panel L.h. 1084mm long 8 Sections
5	Side panel L.h. 1204mm long 9 Sections
6	Front G305
7	Badge "Buderus G305

Übersetzungsliste
List of translations

Pos	Description
8	Hood front G305
9	Hood rear 426mm long 5 Sections
9	Hood rear 546mm long 6 Sections
9	Hood rear 666mm long 7 Sections
9	Hood rear 786mm long 8 Sections
9	Hood rear 906mm long 9 Sections
10	Thermal insulation top 80x570x620mm 5
10	Thermal insulation top 80x620x690mm 6
10	Thermal insulation top 80x620x810mm 7
10	Thermal insulation top 80x620x930mm 8
10	Thermal insulation top 80x620x1050mm 9
10	Insulat felt 80mm/5sqm RG18
11	Rear panel top G305/GD305
12	Rear panel bottom G305/GD305
13	Side panel R.h. 724mm long 5 Sections
13	Side panel R.h. 844mm long 6 Sections
13	Side panel R.h. 964mm long 7 Sections
13	Side panel R.h. 1084mm long 8 Sections
13	Side panel R.h. 1204mm long 9 Sections
14	Thermal insulation bottom 80x310x420mm
14	Thermal insulation bottom 80x310x540mm
14	Thermal insulation bottom 80x310x660mm
14	Thermal insulation bottom 80x310x780mm
14	Thermal insulation bottom 80x310x900mm
14	Insulat felt 80mm/5sqm RG18
15	Burner connection cable 3200mm long
16	Connector part ST18/7 silver-plated
17	Connector 7-pole BR I green
18	Burner cable 4300mm 2-step
19	Burner connector 4-pole green
20	Connector 4-pole white BR II
21	Burner connection cable for 2 stage
22	Connector terminal 4-pole natural
	Installation material Casing G105 / G305
4B	Element of construction
1	Suspended rails 750 wide for Casing
2	Pan-head screw ST3,9x9,5 A3T (10x)
3	Door cover GD305
4	Tie-bar top G305/GD305
5	Side panel L.h. 724mm long 5 Sections
5	Side panel L.h. 844mm long 6 Sections
5	Side panel L.h. 964mm long 7 Sections
5	Side panel L.h. 1084mm long 8 Sections
5	Side panel L.h. 1204mm long 9 Sections
6	Front GD305
7	Badge "Buderus G305
8	Hood front GD305
9	Hood rear 426mm long 5 Sections
9	Hood rear 546mm long 6 Sections
9	Hood rear 666mm long 7 Sections
9	Hood rear 786mm long 8 Sections
9	Hood rear 906mm long 9 Sections
10	Thermal insulation top 80x570x620mm 5
10	Thermal insulation top 80x620x690mm 6
10	Thermal insulation top 80x620x810mm 7
10	Thermal insulation top 80x620x930mm 8
10	Thermal insulation top 80x620x1050mm 9

Übersetzungsliste
List of translations

Pos	Description
10	Insulat felt 80mm/5sqm RG18
11	Rear panel top G305/GD305
12	Rear panel bottom G305/GD305
13	Side panel R.h. 724mm long 5 Sections
13	Side panel R.h. 844mm long 6 Sections
13	Side panel R.h. 964mm long 7 Sections
13	Side panel R.h. 1084mm long 8 Sections
13	Side panel R.h. 1204mm long 9 Sections
14	Thermal insulation bottom 80x310x420mm
14	Thermal insulation bottom 80x310x540mm
14	Thermal insulation bottom 80x310x660mm
14	Thermal insulation bottom 80x310x780mm
14	Thermal insulation bottom 80x310x900mm
14	Insulat felt 80mm/5sqm RG18
15	Burner connection cable 3200mm long
16	Connector part ST18/7 silver-plated
17	Connector 7-pole BR I green
18	Burner cable 4300mm 2-step
19	Burner connector 4-pole green
20	Connector 4-pole white BR II
21	Burner connection cable for 2 stage
22	Connector terminal 4-pole natural
	Installation material Casing G105 / G305
5	Element of construction
1	Boiler plinth 5 Sections G305 VE1814/1
1	Boiler plinth 6 Sections G305 VE1814/1
1	Boiler plinth 7 Sections G305 VE1814/1
1	Boiler plinth 8 Sections G305 VE1814/1
1	Boiler plinth 9 Sections G305 VE1814/1
2	Flue pipe sealing collar DN180
3	G315 Flue Gas Silencer - 180MM
4	Packing cords 10x2000 GP
5	Flue pipe sealing collar DN180 (step
6	Element of construction
1	Bottom 730x965mm G305
2	Snap nut 4,2 phos SNU 0536
3	Front 670x640mm G305
4	Partition 630x735mm G305
5	Side panel L.h. 730x970mm G305
6	Tenterhooks G305
7	Brace 40x210mm
8	Cover 740x970mm G305
9	Edge protection 3000mm long
10	Side panel right, 730x970mm G305
11	Box lock 1.3 + 2.3
12	Lock plate 280x480mm G305
13	Clamp 630mm long G305
14	Roller leg rear 740mm long
15	Shaft 635mm long
16	Fixed castor AB/75 blue grey
17	Roller leg front with castor 740mm long
18	Shaft 635mm long
19	Castor A2K/75
	Installation material burner sound
	Moltopren napping plate 50x1000x2000mm
	Sound proofing hood 970mm long G305

Bosch Thermotechnik GmbH
D-35576 Wetzlar / Germany

Buderus