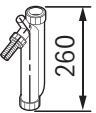


i




260

= 1500 Pa ✓

5000 Pa

↓







= 1500 Pa ✓

5000 Pa ✓

1.500Pa

✓

Flue System Certification

CE  
0036  
CPR 91416 001

5.000Pa  1.500Pa

**Concentric:** EN 14471 T120 H1 W 2 O00 LI E U0  
 **Single:** EN 14471 T120 H1 W 2 O30 LI E U  
 **Flex:** EN 14471 T120 H1 W 2 O00 LI E U0  
 **Facade:** EN 14471 T120 H1 W 2 O00 LE E U0

**Installer:** \_\_\_\_\_

**Date of Installation:** \_\_\_\_\_

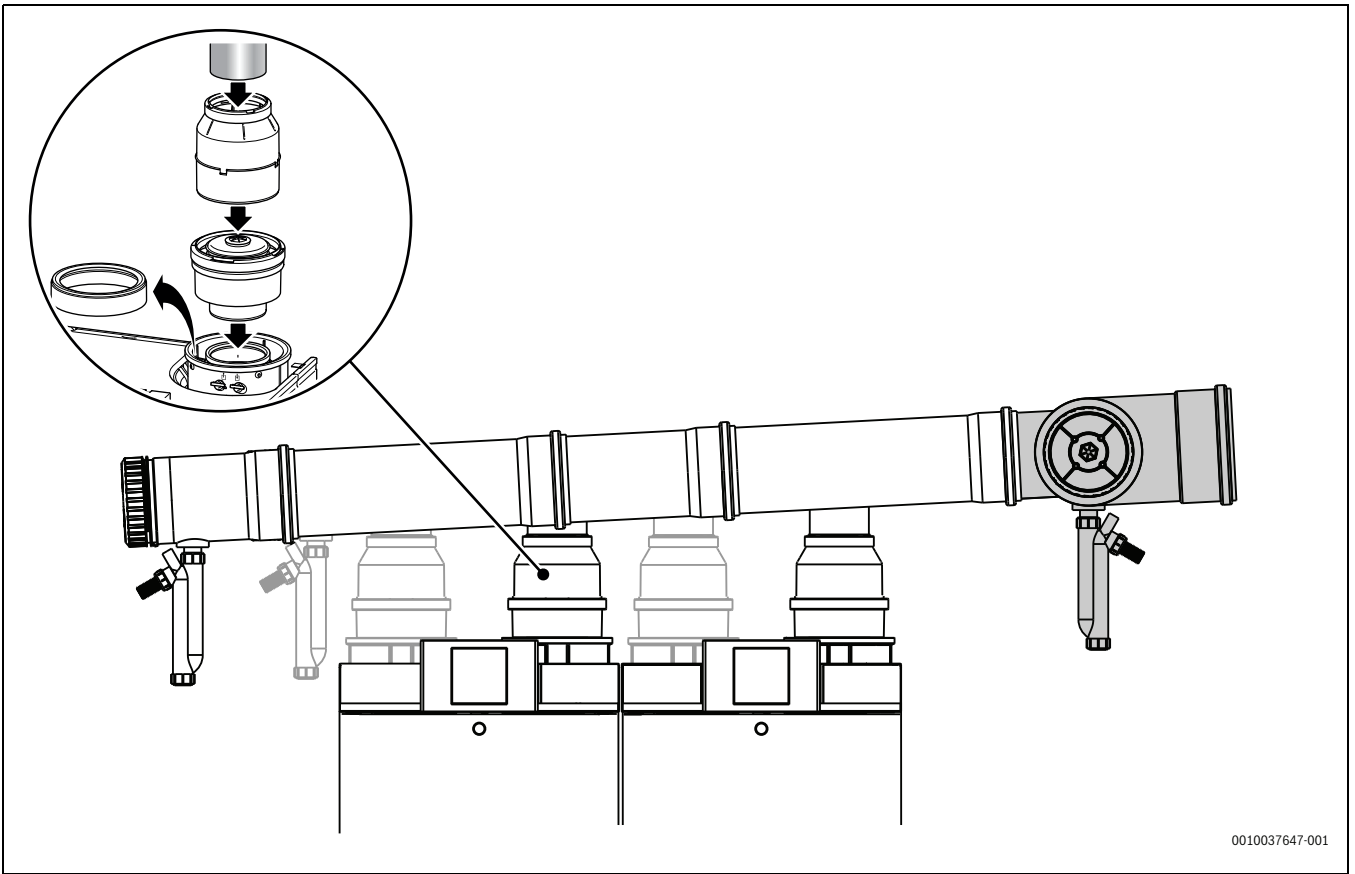
Bosch Termotechnik GmbH  
 35576 Wetzlar / Germany

0010055402-001

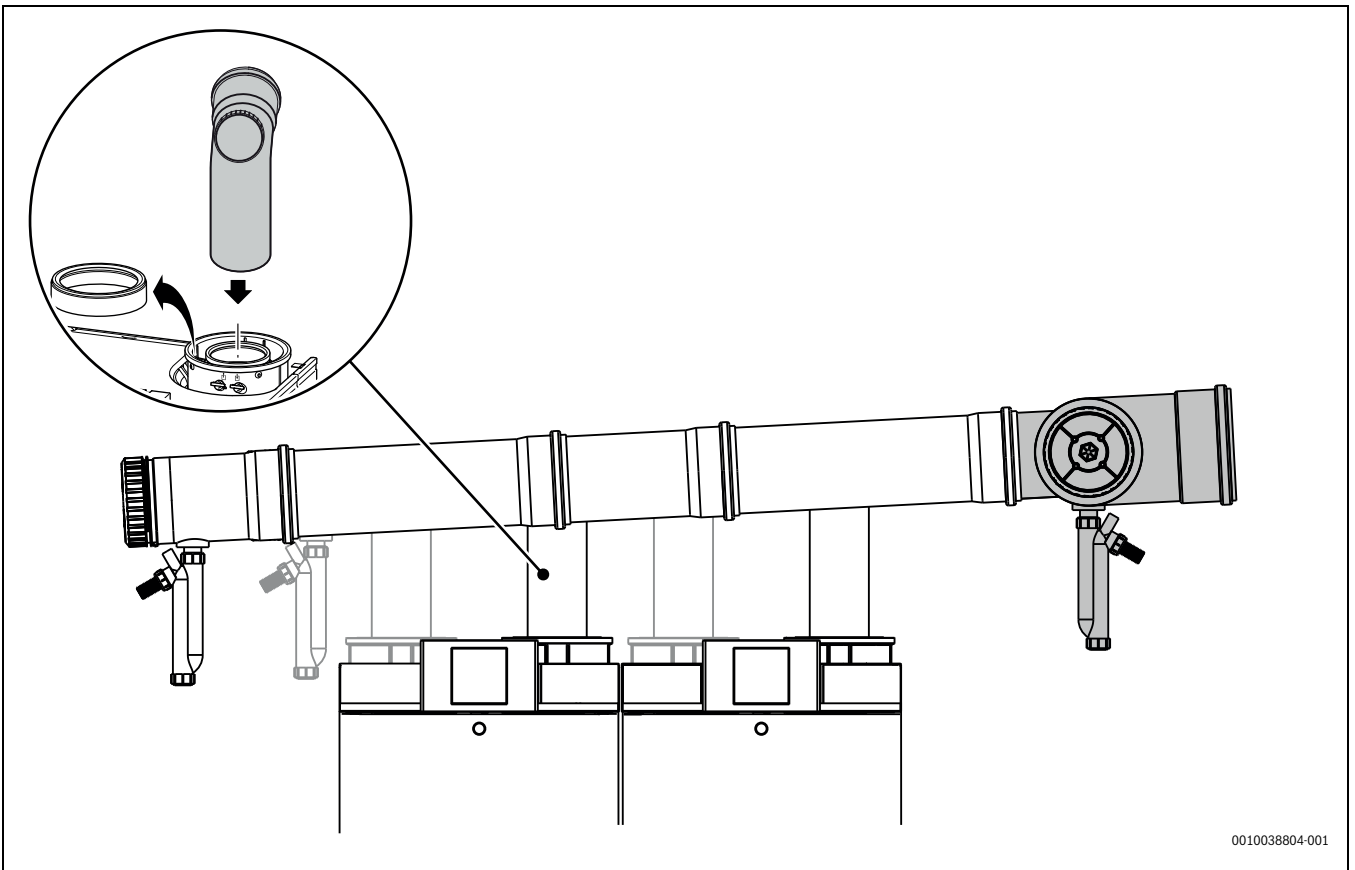
1

6720890240 (2024/11) zz

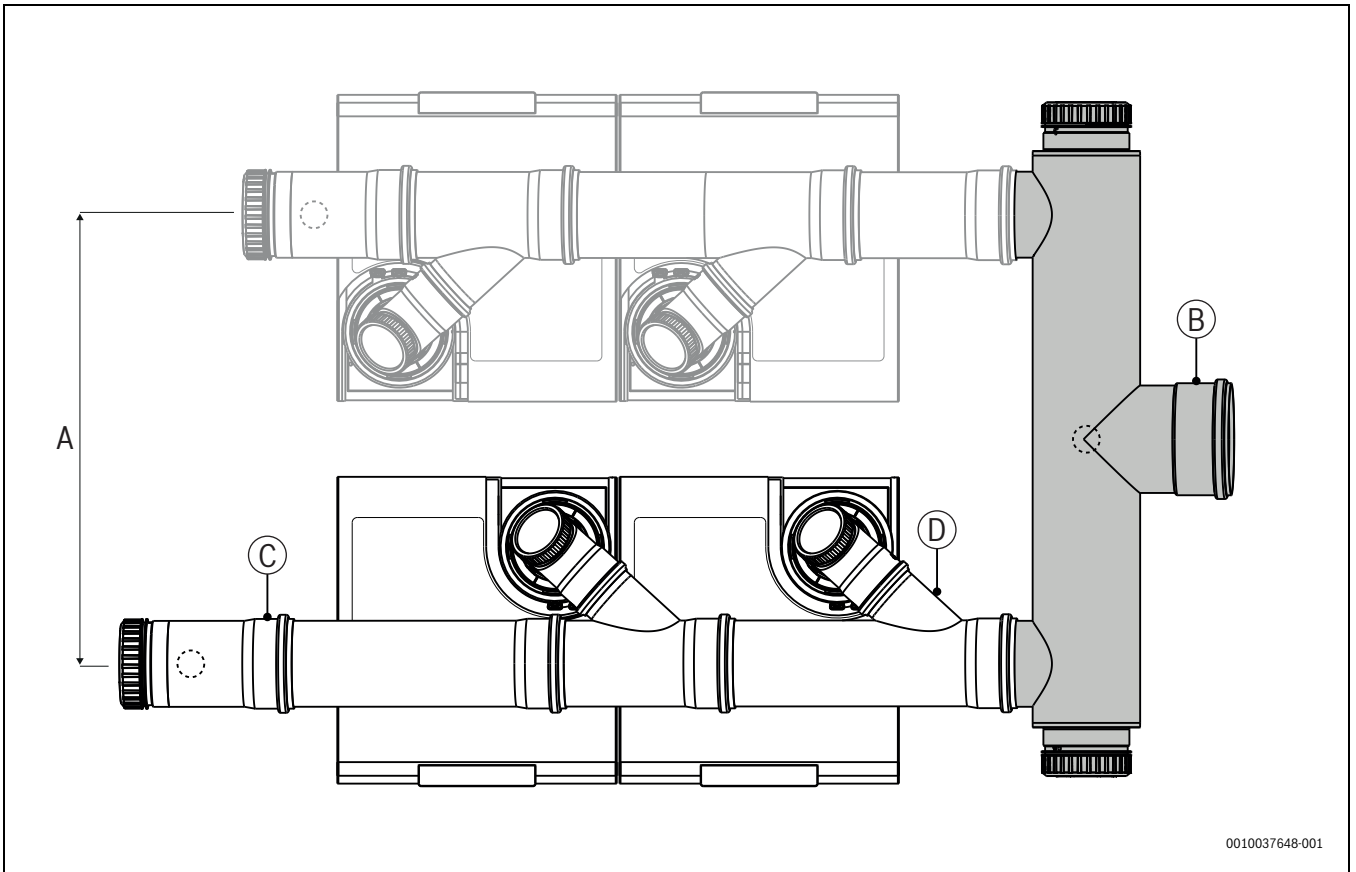
1



2



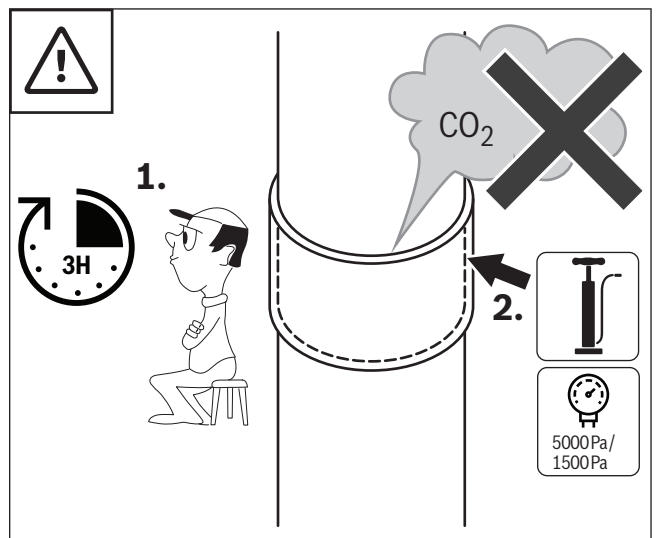
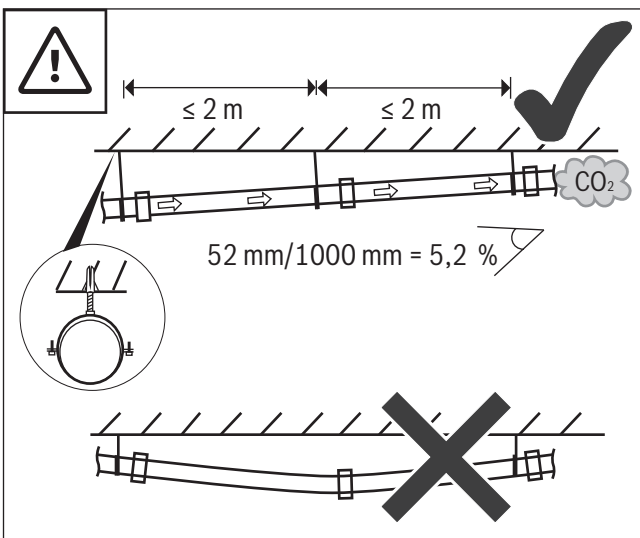
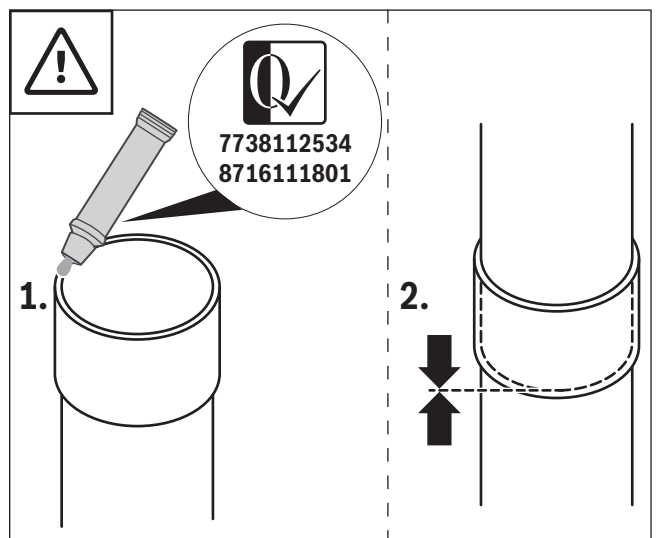
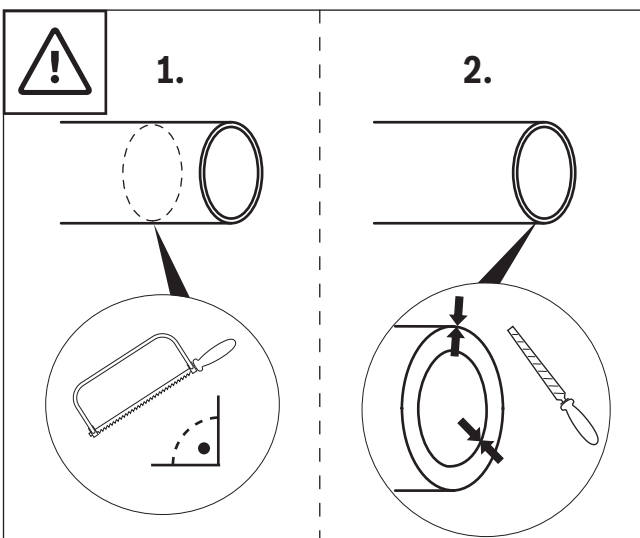
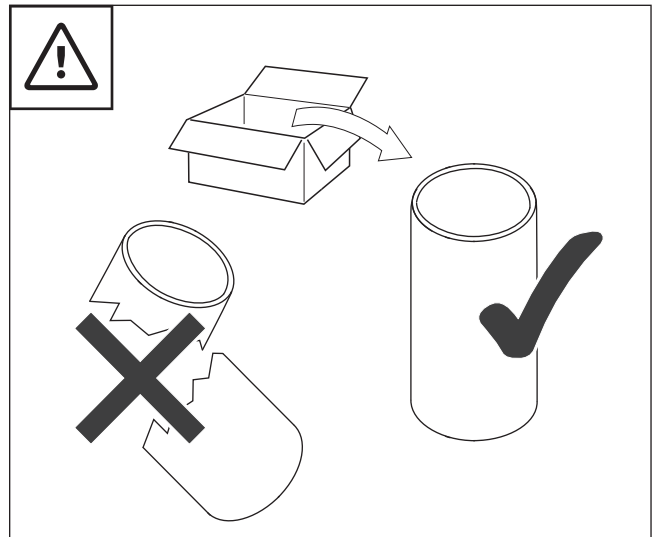
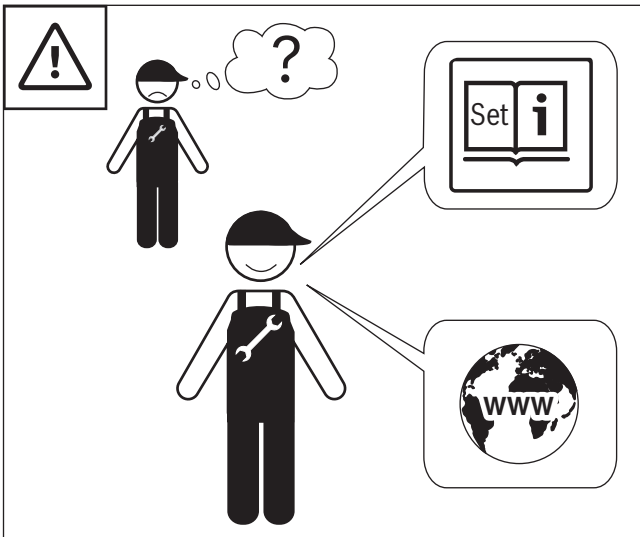
3



4

	A	B	C	D
<b>7736701918</b>	846 mm	DN200	DN160	DN110
<b>7736701919</b>	890 mm	DN250	DN200	DN110
<b>7736701920</b>	938 mm	DN315	DN250	DN110

1



0010017800-003



Original Quality by Bosch Thermotechnik GmbH  
Sophienstrasse 30-32  
35576 Wetzlar, Germany

GB importer: Bosch Thermotechnology Ltd.  
Cotswold Way, Warndon  
Worcester WR4 9SW, United Kingdom

