

AW soundhood insulation rework

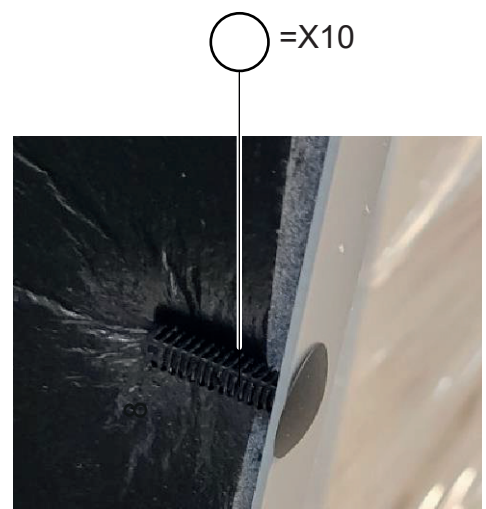
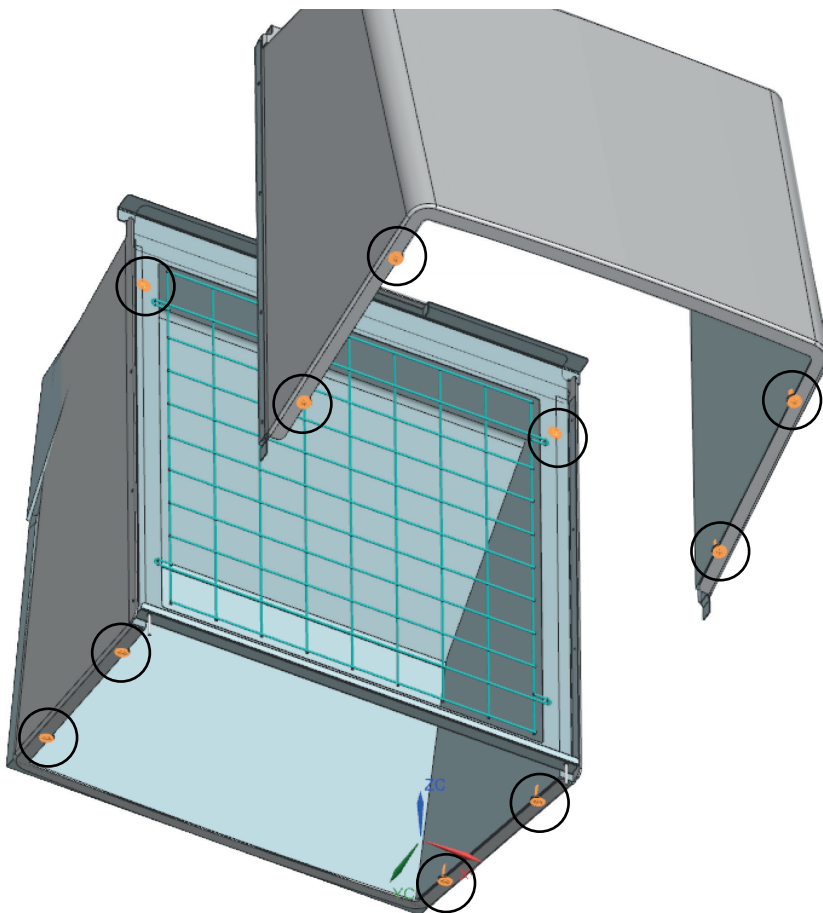
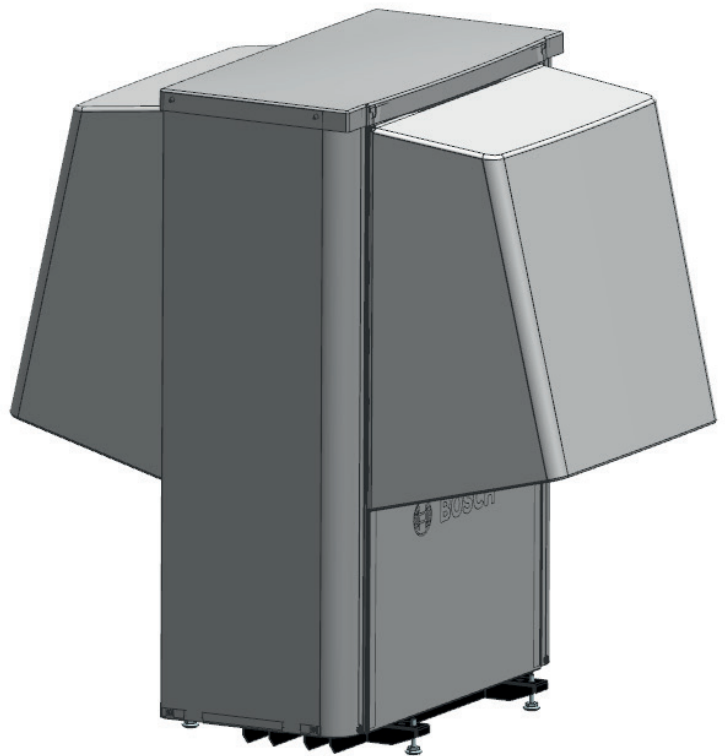
AW soundhood rework:

10pcs of plastic rivets to be mounted.

8pcs on the two plastic hoods and
2pcs on the metal back cover.

Important to mount all 10 plastic rivets.

- 1) Drill holes
- 2) Mount the rivets, insulation should be pressed by the rivet according picture.

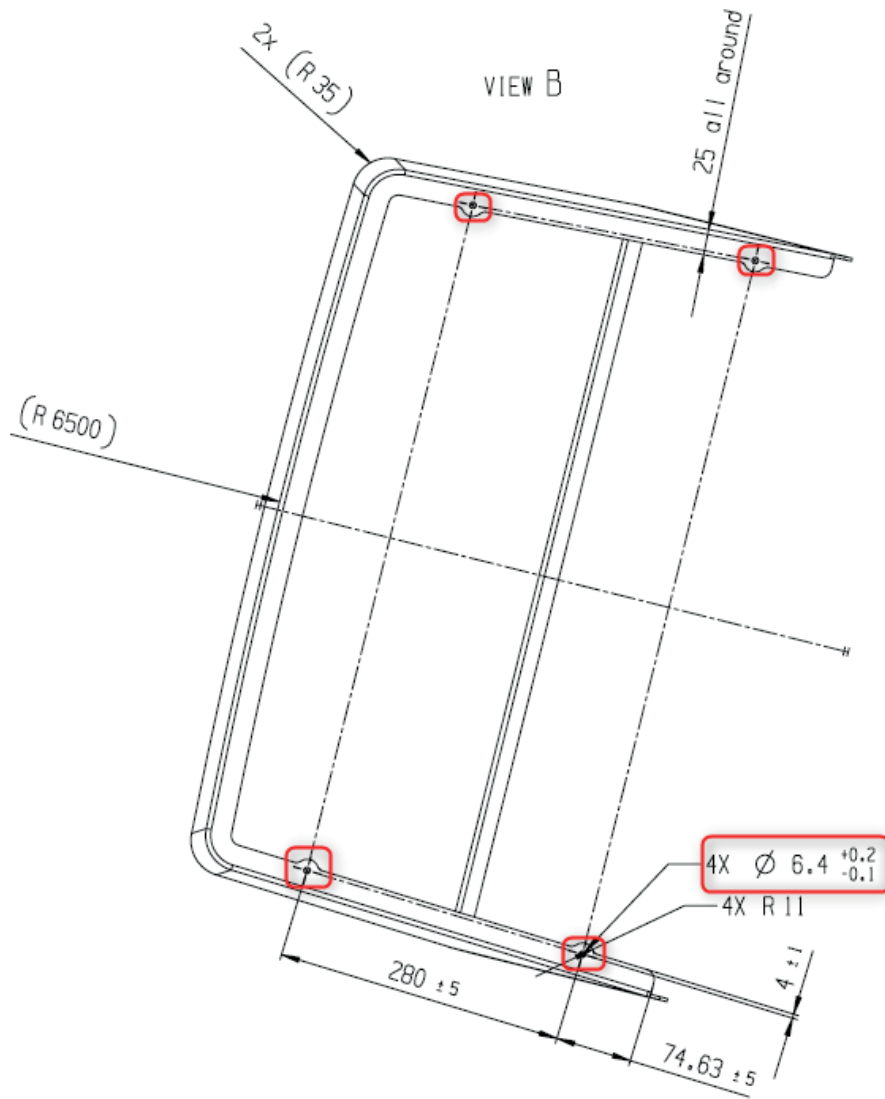


Rework of sound hoods, adding rivet for securing insulation

Small duct:

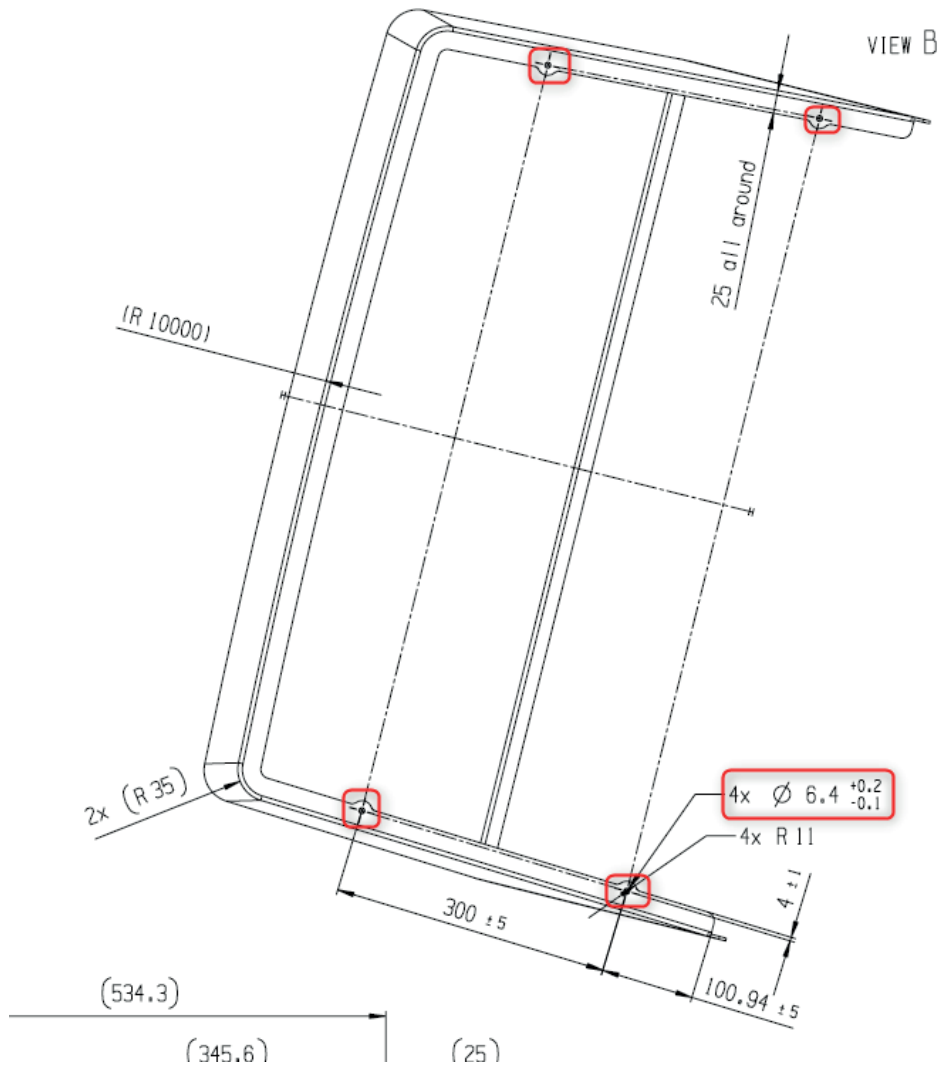
Drill 4x holes on the duct underside flange.

If holes already in place, skip this step.



Large duct:

Drill 4x holes on the duct underside flange.
If holes already in place, skip this step.

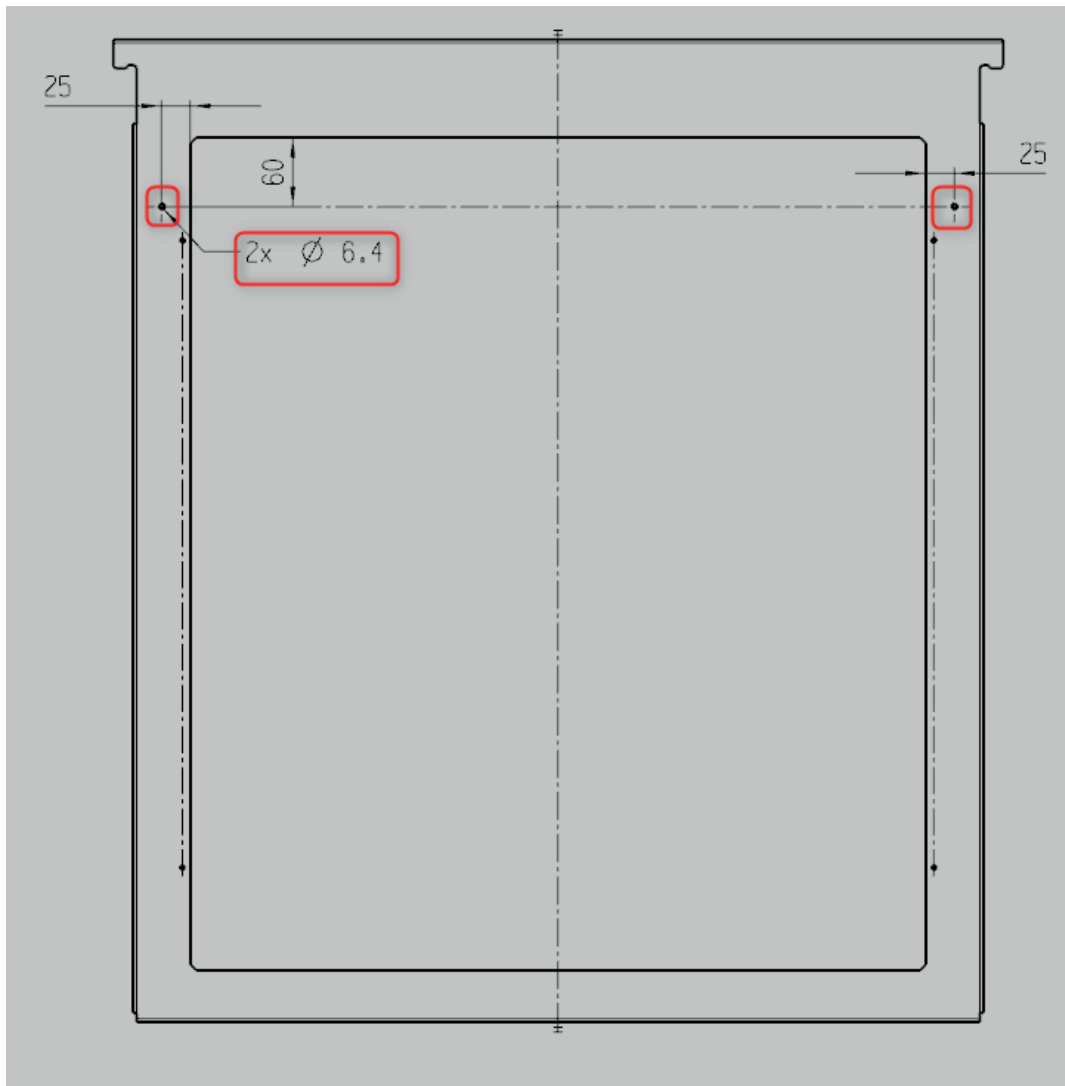


Rework of sound hoods, adding rivet for securing insulation

Small back adaptor plate:

Drill 2x holes on the back adaptor plate.

If holes already in place, skip this step.



Large back adaptor plate:

Drill 2x holes on the back adaptor plate.
If holes already in place, skip this step.

